



DRY 12

DEHUMIDIFIER DH1W-12

EN . Instruction manual

NO . Bruksanvisning

SE . Bruksanvisning

DK . Betjeningsvejledning

FI . Käyttöohje

DE . Anleitung

READ ALL INSTRUCTIONS BEFORE USING

EN

LES ALLE ANVISNINGER FØR BRUK

NO

LÄS IGENOM ALLA INSTRUKTIONER INNAN PRODUKTEN ANVÄNDS

SE

LÆS ALLE VEJLEDNINGER INDEN BRUG

DK

LUE OHJEET HUOLELLISESTI ENNEN KÄYTTÖÄ

FI

LESEN SIE DIE ANLEITUNG VOR DEM GEBRAUCH GRÜNDLICH DURCH

DE

EN

CONTENTS

6	IMPORTANT SAFETY INSTRUCTIONS
10	PRODUCT OVERVIEW
11	USE
14	MAINTENANCE
15	TROUBLESHOOTING
18	GUARANTEE
19	PRODUCT SPECIFICATIONS
19	SUPPORT AND SPARE PARTS
19	RECYCLABILITY

EN

IMPORTANT SAFETY INSTRUCTIONS

- This appliance can be used by children aged from 8 years and above and persons with reduced physical, sensory or mental capabilities or lack of experience and knowledge if they have been given supervision or instruction concerning use of the appliance in a safe way and understand the hazards involved.
- Children shall not play with the appliance.
- Cleaning and user maintenance shall not be made by children without supervision.
- Before operation, please check the power cord if it complies with the requirement indicated on the nameplate.
- Before cleaning, please turn it off and unplug the dehumidifier.
- Make sure the power cord is not pressed by any hard object.
- Do not remove the power plug or move unit by pulling the power cord.
- Do not use any heating application near the dehumidifier.
- Do not remove the power plug in wet hands.
- Please use grounded power cord and make sure it's well connected and not damaged.

- Do not place the dehumidifier under dripping objects.
- Memory function is included in this dehumidifier.
- When nobody is taking care of the unit, please turn it off and remove the power plug or disconnect power.
- Do not repair or disassemble the unit by yourself.
- If abnormal condition occurs (e.g. burned smell), please disconnect power at once and then contact local dealer.
- Do not use an extension cord.
- The appliance shall be installed in accordance with national wiring regulations.
- This product is intended for indoor, non-industrial, non-commercial household use only.
- If the supply cord is damaged, it must be replaced by the manufacturer, its service agent or similarly qualified persons in order to avoid a hazard.

EN



This device contains the highly flammable gas R290.

EN

THE REFRIGERANT

- To realize the function of the air conditioner unit, a special refrigerant circulates in the system. The used refrigerant is the fluoride R290, which is specially cleaned.
- The refrigerant is flammable and inodorous. Furthermore, it can lead to explosion under certain conditions.
- Compared to common refrigerants, R290 is a non-polluting refrigerant with no harm to the ozonosphere. The influence upon the greenhouse effect is also lower. R290 has got very good thermodynamic features which lead to a high energy efficiency. The units therefore need a less filling.
- Please refer to the nameplate for the charging quantity of R290.

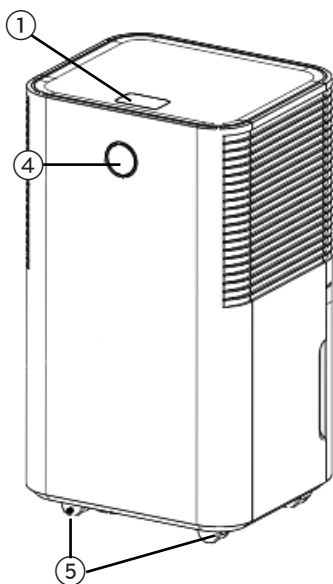
WARNING

- Appliance filled with flammable gas R290.
- Appliance shall be installed, operated and stored in a room with a floor area larger than 4m².
- The appliance shall be stored in a room without continuously operating ignition sources. (for example: open flames, an operating gas appliance or an operating electric heater.)

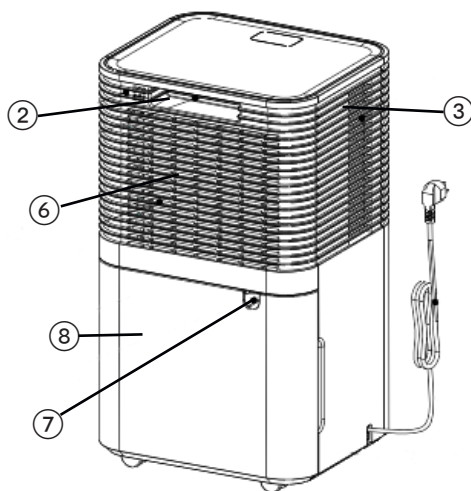
- The appliance shall be stored in a well-ventilated area where the room size corresponds to the room area as specified for operation.
- The appliance shall be stored to prevent mechanical damage from occurring.
- Ducts connected to an appliance shall not contain an ignition source.
- Keep any required ventilation openings clear of obstruction.
- Do not pierce or burn.
- Be aware that refrigerants may not contain an odour.
- Do not use means to accelerate the defrosting process to clean, other than those recommended by the manufacturer.
- Servicing shall be performed only as recommended by the manufacturer.
- Should repair be necessary, contact your nearest authorized Service Centre.
- Any repairs carried out by unqualified personnel may be dangerous.
- Compliance with national gas regulations shall be observed.

PRODUCT OVERVIEW

EN



1. Control panel
2. Handle
3. Air outlet
4. Indicator lights
5. Castors



6. Filter
7. Continuous drainage outlet
8. Water tank

CONTROL PANEL



LOCK



SPEED



TIMER



HUM SET



MODE



POWER

EN

POWER: Press to switch the dehumidifier on or off.

MODE: Press to choose between auto, laundry drying or sleep mode.

HUM SET: Press to adjust the humidity level (30-80%) and choose timer hour (1-24h)

TIMER: Press to set a time for the unit to automatically start or stop. Press the timer button to set the 1-24h timer function.

FAN SPEED: Press to select between high or low fan speed.

LOCK: Long press to turn lock on or off.

Display screen: Displays humidity value, timer setting or temperature.

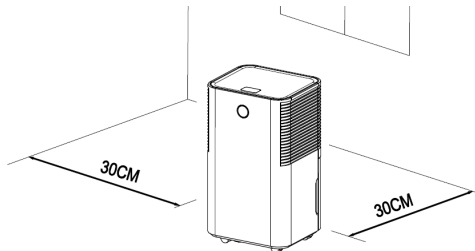
USE

LOCATION

Place the unit on a firm, level surface in an area with at least 30cm of free space around to allow proper air circulation.

Never install the unit where it could be subject to:

- Heat sources such as radiators, heat registers, stoves or other products that produce heat.
- In an area where oil or water may be splashed.
- Direct sunlight.
- Mechanical vibration or shock.
- Excessive dust.
- Lack of ventilation, such as cabinet or bookcase. Install the unit in rooms larger than 4m².



EN

Do not install the unit in places where inflammable gas may leak.
Operate the unit in temperature between 5°C and 35°C.
Do not use outdoors. It is intended for indoor residential applications only.
Do not operate near walls, curtains or other objects that may block inlet and outlet.
Keep the air inlet/outlet free of obstacles.
If tipped more than 45°, allow the unit to stand in upright position at least 24 hours before starting up.
Close all doors, windows, and other outside openings of the room to improve the working effect.
Avoid direct sunlight.
It is normal for the air outlet to feel warm after continuous usage on hot days.
Empty the water tank before moving the device.
Make sure the water tank is correctly placed, otherwise it will not operate properly.
The unit starts up in the mode selected when the unit was last used.
The unit starts dehumidifying if the room humidity is 3% higher than the selected humidity.
There is a protective 3-minute delay of the compressor. Wait 3 minutes for the dehumidifier to resume dehumidification.

FUNCTIONS

POWER BUTTON

Press this button to switch the unit on. The indicator lights light up, the default fan speed is high and default humidity is 60%.
When the unit is on, press the power button to switch the unit off. The indicator lights shuts off, and the compressor stops immediately, and then the fan shut down after 30 second delay.

MODE BUTTON

Press this button to switch between auto, laundry, and sleep mode.

AUTO

When the environmental humidity is the same or over your chosen humidity +3%, the fan starts working, and the compressor starts working after 3 seconds.
When the environmental humidity is the same or lower than your chosen humidity -3%, the compressor stops, and the fan stops after 30 second delay.
Press HUM SET% button to adjust the humidity level in auto mode.

LAUNDRY DRYING MODE

The compressor keeps working without control by humidity; fan speed and target humidity can not be adjusted.

SLEEP MODE

After choosing sleep mode the buttons light up. After no operation in 10 seconds, all indicator lights turn dark gradually and the fan speed switches to low. Press any button to wake up the display and lights.

TIMER BUTTON

Press the timer button to set the 1-24h timer function.
Display flashes and will show hour. Press the HUM SET button and the value will increase 1 hour.
Set the time to 00 to cancel the timing function.

EN

SPEED

There are two fan speeds; high and low. Press the Fan button to switch between the two speeds. Speed can only be adjusted in auto.

LOCK

Long press the lock button to turn on or off the lock function.

WATER TANK INDICATOR

When the tank is full, the alarm starts and the water tank indicator turns red. Touch any button to stop the alarm. The compressor and fan stops, and the function pauses until the tank is emptied and back in correct position.

DRAINAGE

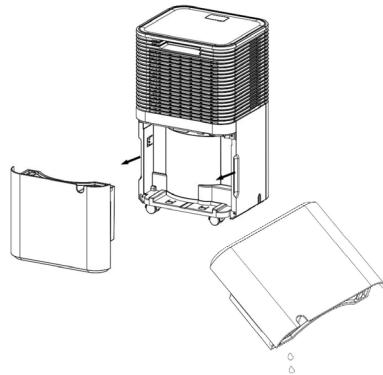
There is two ways to remove water in the unit.

1. Manual draining: Empty the water tank manually when it is full.
2. Continuous draining: Attach a hose and use gravity to drain the water.

MANUAL DRAINING

Once the water tank is full, the unit will pause. After emptying the water tank, install the water tank correctly, and the unit will start up again.

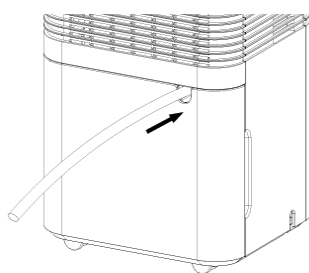
- When the water tank is full, the unit will make a sound, and the "water tank full"-indicator will light up.
- Carefully slide the water tank out and empty it.
- Clean inside and outside of the water tank.
- Place the water tank into the unit.
- If the "water tank full"-indicator is still on, check that the foam float is correctly in place.



CONTINUOUS WATER DRAINAGE

For continuous draining, connect the drain hose to the unit.

- Place the unit on a stable and horizontal surface.
- Switch the unit off before attaching the hose.
- Securely and properly connect the hose to the unit, and make sure the hose is not bent or kinked, it may stop the water flow.
- Place the outlet of the hose over a drain or a bucket and ensure that water can freely flow out of the unit.
- Do not submerge the end of the hose into water: it can cause air lock in the hose.



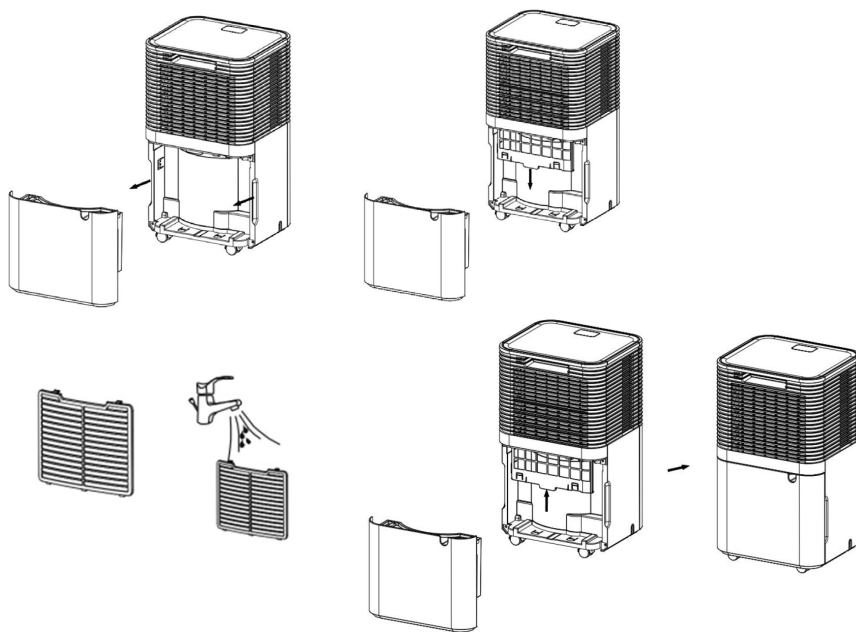
MAINTENANCE

CLEANING THE FILTER

The filter collects dust which restricts the airflow. Restricted airflow reduces efficiency of the unit, and if it becomes blocked it may cause damage to the unit.

- Remove the filter.
- Rinse the filter in running warm water or use a vacuum cleaner to remove dust.
- After cleaning the filter, make sure it is dry before placing it back on the unit.

EN



STORAGE

If you are not using the unit for an extended period (more than a 3 weeks), clean and dry it completely.

1. Switch off the unit and unplug it.
2. Empty the water tank and let it dry. If it is connected to the drain hose, check that it is empty, disconnect it and make sure it is dry.
3. Remove the filter and clean with warm water. Let it dry before reinstalling it.
4. The unit must be stored in upright position.
5. Store it in a ventilated and dry space indoors free of any corrosive gases.

EN

The evaporator inside the unit must be completely dry before storing. This is to avoid component damage and moulds. Unplug the unit and place it in a dry and open area for days to dry it out. Another way to dry it is to set the humidity point more than 5% higher than the ambient humidity to force the fan to dry the evaporator for a couple of hours.

TROUBLESHOOTING

Functioning temperature 5°C -35°C.

When the temperature is lower or higher than the functioning temperature, the unit stops.

When the temperature is between 5°C and 16°C the compressor automatically defrosts at intervals. During defrosting the compressor stops and the fan keeps running.

Problem	Possible reasons	Solutions
The unit does not work	No power supply	Connect to a functioning outlet and switch the unit on
	Water tank full indicator is on	Empty the water tank and place it correctly back into the unit.
	Room temperature is lower than 5°C or higher than 35°C.	Self-protection designed to protect the unit is activated. Can not work under these temperatures.
Bad function	Filter clogged	Clean the filter
	intake duct or discharge duct obstructed	Remove the obstruction from the discharge duct or intake duct.
No air intake	Filter clogged	Clean the filter

Loud noise from unit when on	Is the unit placed on a leveled surface?	Place the unit on a stable and horizontal surface.
	Filter is clogged	Clean the filter.
E2	Humidity sensor problem	Contact customer service
LO	Environmental humidity is below 20%	The dehumidifier shuts off for self-protection.
HI	Environmental humidity is over 90%	
CL	Low temperature, temperature is below 5°C	
CH	High temperature, the temperature is above 35°C	

EN

EN

EN



GUARANTEE

Wilfa issues a 5 year guarantee on this product from the day of purchase is done. The guarantee covers production failure or defects that arise during the guarantee period. Your purchase receipt works as proof towards retailer if claiming your guarantee.

The guarantee is valid only for products that are bought and used in private households. The guarantee is not valid if the product is used commercially. The guarantee is not valid if the product is misused, used by negligence, if not following instructions given by Wilfa, if modified or if unauthorized repairation is done. The guarantee is also not valid for normal wear of the product, misuse, lack of maintenance, use of wrong electrical voltage or:

- Overloading of product
- Parts which are normally worn down
- Parts you can expect being replaced regularly (e.g. filter, battery etc.)

Instructions manual is also available at our website wilfa.com

PRODUCT SPECIFICATIONS

220V-240V~50Hz 200W
50g R290

SUPPORT AND SPARE PARTS

For support please visit us at **wilfa.com**, and see our customer service/support page. Here you will find frequently asked questions, spare parts, tips and tricks and all our contact information.

EN

RECYCLABILITY



This marking indicates that this product should not be disposed with other household wastes throughout the EU. To prevent possible harm to the environment or human health from uncontrolled waste disposal, recycle it responsibly to promote the sustainable reuse of material resources. To return your used device, please use the return and collection systems or contact the retailer where the product was purchased. They can take this product for environmentally safe recycling free of charge.

NO

NO

INNHold

- 22 ADVARSELTEKST
- 26 PRODUKTOVERSIKT
- 27 BRUK
- 28 FUNKSJONER
- 29 DRENERING
- 30 VEDLIKEHOLD
- 31 FEILSØKING
- 34 GARANTI
- 35 SUPPORT OG RESERVEDELER
- 35 GJENVINNING

SIKKERHETSADVARSEL

NO

- Produktet kan brukes av barn fra 8 år og oppover, samt personer med nedsatte fysiske, sansemessige eller mentale evner, eller mangel på erfaring og kunnskap, hvis de er under tilsyn eller har fått anvisninger om sikker bruk av produktet og er klar over farene forbundet med bruken.
- Ikke la barn leke med apparatet.
- Rengjøring og vedlikehold skal ikke utføres av barn uten tilsyn.
- Før drift må du undersøke om strømledningen oppfyller kravene på navneplaten.
- Før rengjøring må du slå av luftavfukteren og trekke ut støpselet fra stikkontakten.
- Sørg for at strømledningen ikke trykkes mot en hard gjenstand.
- Ikke dra ut støpselet eller flytt apparatet ved å trekke i strømledningen.
- Ikke bruk varmeapparater i nærheten av luftavfukteren.
- Ikke trekk ut støpselet med våte hender.
- Bruk en jordet strømledning, og sørg for at den er godt tilkoblet og uskadet.

- Ikke plasser luftavfukteren under dryppende gjenstander.
- Minnefunksjonen er inkludert i denne luftavfukteren.
- Når luftavfukteren ikke er i bruk, skal den slås av og man skal trekke ut støpselet eller koble fra strømforsyningen.
- Du skal ikke reparere eller demontere apparatet selv.
- Hvis det oppstår en uvanlig situasjon (f.eks., brent lukt), må du koble apparatet fra strømforsyningen umiddelbart og deretter kontakte din lokale forhandler.
- Skjøteledninger skal ikke brukes.
- Apparatet skal installeres i henhold til lokale forskrifter om elektriske lavspenningsanlegg.
- Apparatet er kun beregnet for innendørs, ikke-industriell, ikke-kommersiell husholdningsbruk.
- Hvis strømledningen er ødelagt, må den skiftes av produsenten, en servicetekniker eller lignende kvalifisert person for å unngå farlige situasjoner.

NO



R290

Denne enheten inneholder den lettantennelige gassen R290.

KJØLEMIDDELET

NO

- Klimaanlegget benytter et spesielt kjølemiddel som sirkulerer i systemet. Det brukte kjølemidlet er fluor R290, som er spesialrenset.
- Kjølemiddelet er brennbart og uten lukt. Det kan under bestemte forhold eksplodere.
- Sammenlignet med vanlige kjølemidler, påvirkes ikke ozonlaget av R290. Drivhuseffekt er også mindre. R290 har meget gode termodynamiske egenskaper for høy energieffektivitet. Dermed trenger enheten ikke å fylles så ofte.
- Se navnplaten for tillatt mengde av R290.

ADVARSEL

- Apparatet er fylt med den brennbare gassen R290.
- Apparatet må installeres, brukes og oppbevares på et rom med et gulvareal som er større enn 4 m².
- Apparatet skal oppbevares i et rom uten tennekilder i kontinuerlig drift (for eksempel: åpne flammer, gassapparat eller elektrisk varmeapparat).
- Apparatet skal oppbevares i et godt ventilert område som spesifisert for bruk.
- Apparatet må lagres for å forhindre mekaniske

skader.

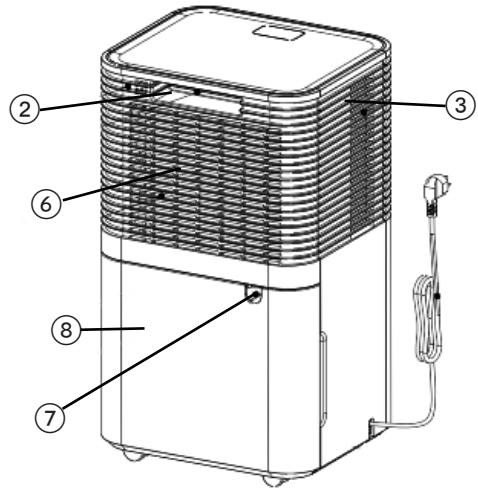
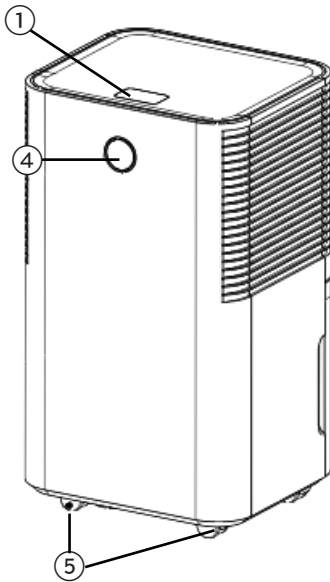
- Kanaler koblet til apparatet må ikke inneholde en tennkilde.
- Hold alle nødvendige ventilasjonsåpninger fri for hindringer.
- Ikke punkter eller brenn.
- Vær oppmerksom på at kjølemedier ikke nødvendigvis lukter.
- Må ikke brukes til å akselerere avriming eller rengjøring utenom det som anbefales av produsenten.
- Service må kun utføres som anbefalt av produsenten.
- Hvis det blir nødvendig å reparere apparatet, må du kontakte det nærmeste autoriserte verkstedet.
- Alle reparasjoner som utføres av ikke-kvalifisert personell kan være farlig.
- Nasjonale og internasjonale regler for behandling av gass må overholdes.



NO

PRODUKTOVERSIKT

NO



1. Betjeningspanel
2. Håndtak
3. Luftuttak
4. Indikatorlys
5. Svingbare hjul

6. Filter
7. Kontinuerlig drenering
8. Vannbeholder

BETJENINGSPANEL



LOCK



SPEED



TIMER



HUM SET



MODE



POWER

POWER: Trykk for å slå avfukteren av eller på.

MODE: Trykk for å velge mellom auto, klestørking eller hvilemodus.

HUM SET: Trykk for å justere fuktighetsnivået (30-80%) og velg timer (1-24t)

TIMER: Trykk for å angir når enheten skal starte eller stoppe automatisk. Trykk på timer-knappen for å veldge tidsinnstilling på 01-24t.

FAN: Trykk for å velge mellom høy eller lav viftehastighet.

LOCK: Hold inne knappen for å slå låsen på eller av.

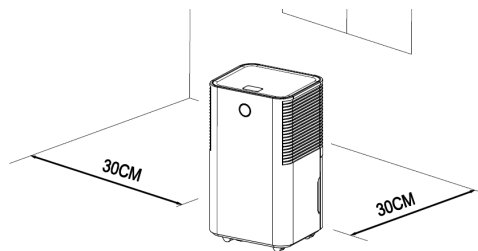
Displayskjerm: Viser luftfuktighet, timerinnstilling eller temperatur.

NO

BRUK

PLASSERING

1. Plasser enheten på et fast, jevnt underlag på et sted med minst 30 cm avstand til nærliggende gjenstander for å sikre god luftsirkulasjon.
2. Enheten må aldri installeres på steder der den kan bli utsatt for:
 - Varmekilder som radiatorer, varmespjeld, komfyrer eller andre produkter som produserer varme.
 - På steder der det kan sprute olje eller vann.
 - Direkte sollys.
 - Mekanisk vibrasjon eller støt.
 - For mye støv.
 - Manglende ventilasjon, som skap eller bokhylle. Installer enheten i rom som er større enn 4 m².



Ikke installer enheten på et sted der det kan lekke brennbar gass.

Bruk enheten i temperaturer mellom 5 °C og 35 °C.

Skal ikke brukes utendørs. Den er kun ment for innendørsbruk i private husholdninger.

Må ikke brukes i nærheten av vegger, gardiner eller andre gjenstander som kan blokkere inn- og uttak.

Hold luftinntaket/-uttaket fritt for gjenstander.

Hvis enheten vipper mer enn 45°, må den stå oppreist i minst 24 timer før oppstart.

Lukk alle dører, vinduer og annen gjennomtrekk i rommet for best mulig effekt.

Unngå direkte sollys.

Det er normalt at luftuttaket føles varmt etter kontinuerlig bruk på varme dager.

Tøm vannbeholderen før du flytter på apparatet.

Kontroller at vannbeholderen er riktig plassert, ellers vil den ikke fungere som den skal.

Enheten starter opp i den modusen som ble valgt da enheten sist ble brukt.

Enheten starter avfuktingen hvis romtemperaturen er 3 % høyere enn den valgte luftfuktigheten.

Kompressoren har en beskyttende forsinkelse på 3 minutter. Vent i 3 minutter for at avfukteren skal gjenoppta avfuktingen.

NO

FUNKSJONER

AV/PÅ-KNAPP

Trykk på denne knappen for å skru på enheten. Indikatorlampene lyser, standard viftehastighet er høy og standard luftfuktighet er 60 %.

Når enheten er på, trykker du på av/på-knappen for å slå den av. Indikatorlampene slukkes, og kompressoren stopper umiddelbart, og deretter slås viften av etter 30 sekunder.

MODUS-KNAPP

Trykk på denne knappen for å bytte mellom auto-, vaskerom- og dvalemodus.

AUTO

Når luftfuktigheten er den samme som eller over den valgte fuktigheten +3 %, begynner viften å fungere, og kompressoren begynner å gå etter 3 sekunder.

Når luftfuktigheten er den samme eller lavere enn den valgte fuktigheten -3 %, stopper kompressoren, og viften stopper etter 30 sekunder.

Trykk på HUM SET-knappen for å justere luftfuktigheten i auto-modus.

MODUS FOR TØRNING AV TØY

Kompressoren fortsetter å fungere uten kontroll av luftfuktigheten. Viftehastigheten og luftfuktighet kan ikke justeres.

HVILEMODUS

Når du har valgt hvilemodus, lyser knappen opp. Etter 10 sekunders inaktivitet blir alle indikatorlysene gradvis mørke og viftehastigheten går over til lav. Trykk på en vilkårlig knapp for å slå på displayet og lysene.

TIMER-KNAPP

Trykk på timer-knappen for å velde tidsinnstilling på 01-24t.
Displayet blinker og viser tid. Trykk på HUM SET-knappen for å øke verdien med 1 time.
Still inn tiden til 00 for å avbryte tidsinnstillingen.

HASTIGHET

Det er to viftehastigheter: høy og lav. Trykk på vifte-knappen for å skifte mellom de to hastighetene. Kan kun justeres i Auto.

LÅS

Hold inne låseknappen for å slå låsefunksjonen på eller av.

INDIKATOR FOR VANNBEHOLDER

Når beholderen er full, starter alarmen og indikatoren for vannbeholderen blir rød.
Trykk på en hvilken som helst knapp for å stoppe alarmen. Kompressoren og viften stopper, og funksjonen settes på pause til beholderen er tømt og satt tilbake i riktig posisjon.

NO

VANNDRENERING

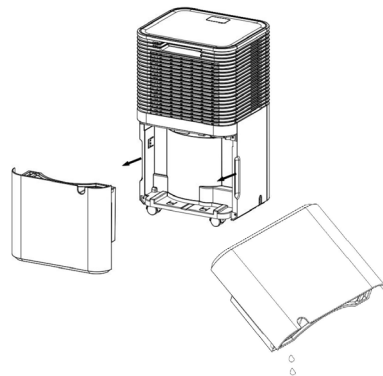
Det er to måter å fjerne vannet i enheten på.

1. Manuell tømming: Tøm vannbeholderen manuelt når den er full.
2. Kontinuerlig drenering: Fest en slange og bruk tyngdekraften til å tømme ut vannet.

MANUELL TØMMING:

Når vannbeholderen er full, settes enheten på pause. Når du har tømt vannbeholderen og den er satt riktig på plass, vil apparatet starte opp igjen.

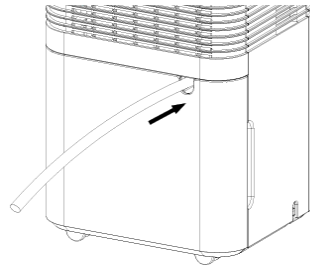
- Når vannbeholderen er full, avgir enheten en lyd og indikatoren for full vannbeholder lyser.
- Skyv vannbeholderen forsiktig ut og tøm den.
- Rengjør vannbeholderen innvendig og utvendig.
- Sett vannbeholderen inn i apparatet.
- Hvis indikatoren for full vannbeholder fortsatt lyser, må du kontrollere at skumflottøren er riktig på plass.



KONTINUERLIG DRENERING

Før kontinuerlig tømning av vann, kobler du dreneringsslagen til enheten.

- Plasser apparatet på et stabilt og vannrett underlag.
- Slå av enheten før du kobler til slangen.
- Koble slangen til enheten på en sikker og riktig måte, og kontroller at slangen ikke er bøyd eller har knekk, det kan stoppe vannstrømmen.
- Plasser enden av dreneringsslagen over et avløp eller en bøtte, og sørg for at vannet kan renne fritt ut av enheten.
- Ikke senk slangeenden ned i vann, da dette kan føre til «luftlommer» i slangen.



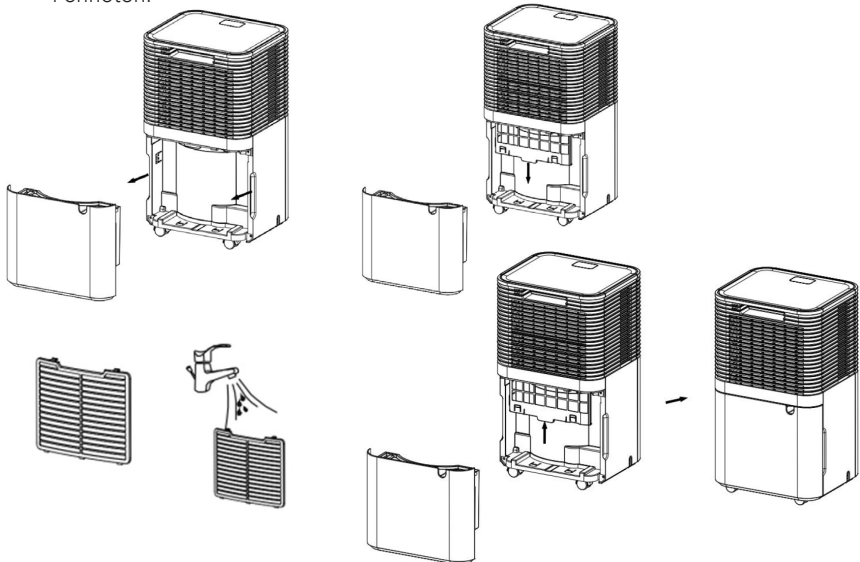
NO

VEDLIKEHOLD

RENGJØR FILTERET

Filteret samler opp støv som begrenser luftstrømmen. Begrenset luftstrøm reduserer enhetens effektivitet, og hvis det oppstår blokkering, kan det føre til skade på enheten.

- Ta ut filteret.
- Skyll filteret i rennende varmt vann eller bruk en støvsuger til å fjerne støv.
- Etter at filteret er rengjort, må du sørge for at det er tørt før du setter det tilbake i enheten.



OPPBEVARING

Hvis apparatet ikke skal brukes på lengre tid (mer enn 3 uker), må det rengjøres og tørkes helt.

1. Slå av enheten og trekk ut støpselet.
2. Tøm vannbeholderen og la den tørke. Hvis den er koblet til dreneringsslagan, må du kontrollere at den er tom, koble den fra og sørge for at den er tørr.
3. Ta ut filteret og rengjør det med varmt vann. La det tørke før du setter det inn igjen.
4. Enheten må oppbevares i oppreist stilling.
5. Oppbevar den på et ventilert og tørt sted innendørs uten korrosive gasser.

Fordamperen inne i enheten må være helt tørr før oppbevaring. Dette er for å unngå komponentskade og mugg. Trekk ut støpselet og plasser enheten på et tørt og åpent sted i flere dager for å la den tørke. En annen måte å tørke enheten på er å stille inn punktet for luftfuktighet til mer enn 5 % høyere enn luftfuktigheten i omgivelsene for å tvinge viften til å tørke fordamperen i et par timer.



FEILSØKING

Operativ temperatur 5 °C – 35 °C.

Når temperaturen er lavere eller høyere enn den operative temperaturen, stopper enheten.

Når temperaturen er mellom 5 og 16 grader, avrimer kompressoren automatisk i intervaller. Under avriming stopper kompressoren og viften fortsetter å gå.

Problem	Mulige årsaker	Løsninger
Enheten virker ikke	Ingen strømtilførsel	Koble enheten til et fungerende strømuttak og slå den på
	Indikatoren for full vannbeholder blinker	Tøm vannbeholderen og sett den inn igjen på riktig måte
	Romtemperaturen er under 5°C eller høyere enn 35°C.	Beskyttelsesmekanisme for å beskytte enheten aktiveres. Fungerer ikke under disse temperaturene
Dårlig funksjonalitet	Filteret er tett	Rengjør filteret
	Er kanalene for inntak eller uttak tett?	Fjern hindringen
Ingen lufttilførsel	Filteret er tett	Rengjør filteret

Høy lyd fra enheten når den er på	Er apparatet plassert på et jevnt underlag?	Plasser enheten på et stabilt og horisontalt underlag
	Filteret er tett	Rengjør filteret
E2	Problemer med luftfuktighetssensor	Kontakt kundeservice
LO	Luftfuktigheten er under 20%	Avfukteren slår seg av som beskyttelsesmekanisme
HI	Luftfuktigheten er over 90%	
CL	Beskyttelse mot lav temperatur, temperaturen er under 5°C	
CH	Beskyttelse mot høy temperatur, temperaturen er over 35°C	

NO

NO



NO GARANTI

Wilfa gir 5 års garanti på dette produktet fra kjøpsdatoen. Garantien dekker produksjonsfeil eller defekter som oppstår i garantiperioden. Kjøpskvitteringen fungerer som bevis overfor forhandleren ved eventuelle garantikrav.

Garantien er kun gyldig for produkter som er kjøpt og brukt i privathusholdning. Garantien gjelder ikke hvis produktet brukes kommersielt. Garantien er ikke gyldig hvis produktet misbrukes, ved uaktsom bruk eller hvis du ikke følger instruksjonene fra Wilfa, eller ved uautoriserte modifikasjoner og reparasjoner. Garantien dekker heller ikke normal bruksslitasje på produktet, misbruk, mangel på vedlikehold, bruk av feil elektrisk spenning eller:

- Overbelastning av produktet
- Vanlige slitedeler
- Deler som må skiftes ut regelmessig (f.eks. filter, batteri osv.)

Bruksanvisningen er også tilgjengelig på nettstedet vårt: wilfa.no

PRODUKTSPEKIFIKASJONER

220V-240V~50Hz 200W
50g R290

SUPPORT OG RESERVEDELER

For support, besøk **oss på wilfa.no**, og se vår kundeservice/supportside. Her finner du vanlige spørsmål, reservedeler, tips og triks, samt all kontaktinformasjon.

GJENVINNING



Dette merket betyr at produktet ikke må deponeres med vanlig husholdningsavfall i EØS-området. For å unngå skade på miljø og mennesker, er det viktig at dette produktet gjenvinnes. Lever det brukte produktet til en miljøstasjon eller ta kontakt med butikken hvor du kjøpte det. De kan ta seg av produktet for gjenvinning vederlagsfritt.

NO

SE

SE

INNEHÅLL

- 38 SÄKERHETSVARNING
- 42 PRODUKTÖVERSIKT
- 43 KONTROLLPANEL
- 43 ANVÄNDNING
- 44 FUNKTIONER
- 46 UNDERHÅLL
- 47 FELSÖKNING
- 50 GARANTI
- 51 SUPPORT OCH RESERVDELAR
- 51 ÅTERVINNINGSBARHET

SÄKERHETSVARNING

SE

- Denna produkt kan användas av barn från 8 års ålder eller äldre och av personer med nedsatt fysisk, sensorisk eller mental förmåga, samt personer med bristande erfarenhet och kunskap, om de övervakas eller instrueras beträffande säker användning av produkten och förstår de risker som är förknippade med användningen.
- Låt aldrig barn leka med apparaten.
- Rengöring och underhåll får inte utföras av barn utan övervakning.
- Kontrollera före användning att nätkabeln överensstämmer med de krav som anges på typskylten.
- Före rengöring – stäng av avfuktaren och dra ut stickkontakten ur eluttaget.
- Säkerställ att nätkabeln inte har hamnat i kläm under något hårt föremål.
- Dra aldrig ut stickkontakten eller flytta enheten genom att dra i nätkabeln.
- Använd ingen värmekälla av något slag i närheten av avfuktaren.
- Dra aldrig ut stickkontakten ur eluttaget med fuktiga händer.
- Använd en jordad nätkabel och säkerställ att

den är ordentligt ansluten och inte skadad.

- Placera inte avfuktaren under föremål som droppar vatten eller annan vätska.
- Minnesfunktion ingår i denna avfuktare.
- Stäng av apparaten och dra ut stickkontakten ur eluttaget när apparaten ska lämnas utan uppsikt.
- Försök aldrig reparera eller montera isär enheten på egen hand.
- Vid tecken på att något är fel (t.ex.om det luktar bränt från apparaten) måste du dra ut nätkabeln direkt och sedan kontakta återförsäljaren.
- Använd aldrig förlängningssladd.
- Apparatens skainstalleras i enlighet med gällande nationella föreskrifter för kabeldragning och elsäkerhet.
- Den här produkten är endast avsedd att användas inomhus och för hemmabruk. Den är inte avsedd för kommersiell användning.
- Av säkerhetsskäl måste en skadad elkabel bytas ut av tillverkaren, dennes servicerepresentant eller motsvarande.

SE

**R290**

Denna enhet innehåller den lättantändliga gasen R290.

KÖLDMEDIUM

- För att luftkonditioneringen ska fungera cirkulerar ett speciellt köldmedium i systemet. Det specialrenade köldmediet heter fluorid R290.
- Köldmediet är både lättantändligt och luktfritt. Under vissa omständigheter kan det även vara explosivt.
- Jämfört med vanliga köldmedier är R290 ett icke miljöförstörande köldmedium som inte skadar atmosfärens ozonlager. Dess påverkan på växthuseffekten är också lägre. R290 har mycket goda termodynamiska egenskaper som leder till mycket hög energieffektivitet. Detta innebär att apparaten kräver påfyllning betydligt mer sällan.
- Se märkplåten för information om påfyllning av R290.

SE

VARNING

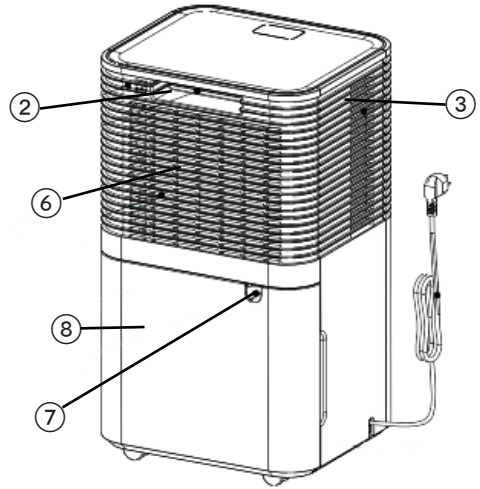
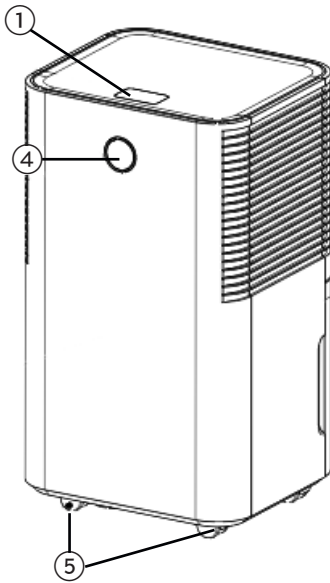
- Apparaten innehåller den lättantändliga gasen R290.
- Apparaten måste installeras, användas och förvaras i ett rum med en golvyta på minst 4m².
- Apparaten ska förvaras i ett rum utan kontinuerligt aktiva värmekällor (till exempel öppen eld, gasvärmare eller elektriskt element i drift).

- Apparaten ska förvaras i ett välventilerat utrymme vars storlek motsvarar den rumsyta som specificeras för drift.
- Förvara apparaten så att den inte riskerar att utsättas för mekanisk skada.
- Kanaler som ansluts till apparaten får inte innehålla någon värmekälla.
- Se till att ventilationsöppningarna inte blockeras eller täpps igen.
- Punktera eller bränn aldrig apparaten.
- Observera att köldmedier kan vara luktfria.
- Försök aldrig påskynda avfrostningsprocessen eller rengöringen av apparaten på annat sätt än det som rekommenderas av tillverkaren.
- Underhåll får endast utföras i enlighet med tillverkarens rekommendationer.
- Om reparation behövs, kontakta närmaste auktoriserade servicecenter.
- Alla reparationer som utförs av icke kvalificerad personal kan medföra fara.
- Uppfyller kraven i nationell gaslagstiftning.

SE

PRODUKTÖVERSIKT

SE



1. Kontrollpanel
2. Handtag
3. Luftutsläpp
4. Indikatorlampor
5. Hjul
6. Filter

7. Avlopp för kontinuerlig avrinning
8. Vattenbehållare

KONTROLLPANEL



LOCK



SPEED



TIMER



HUM SET



MODE



POWER

POWER: Tryck på knappen för att slå på eller stänga av avfuktaren

MODE: Tryck på knappen för att välja mellan auto-, tvättorknings- och viloläge.

HUM SET: Tryck på knappen för att justera luftfuktigheten (30–80 %) och välj timertid (1–24 timmar)

TIMER: Tryck på knappen för att ställa in en tid då enheten ska starta eller stoppa automatiskt. Tryck på knappen för att aktivera timerfunktionen på 01–24 timmar.

FAN: Tryck på knappen för att välja mellan hög och låg fläkthastighet.

LOCK: Tryck på och håll ner knappen för att låsa respektive låsa upp.

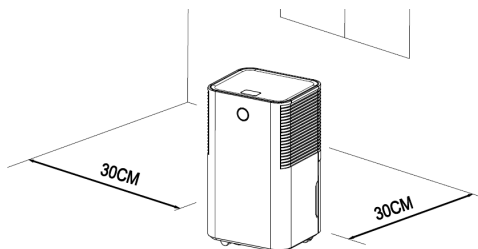
Teckenfönster: Visar fuktighetsvärde, timerinställning eller temperatur.

SE

ANVÄNDNING

PLATS

1. Placera enheten på en stadig, plan yta på ett område med minst 30 cm fritt utrymme runt om för att möjliggöra tillräcklig luftcirkulation.
2. Installera aldrig enheten där den kan utsättas för:
 - Värmekällor som radiatorer, spisar eller andra produkter som genererar värme.
 - I ett område där olja eller vatten kan stänka ut.
 - Direkt solljus.
 - Mekaniska vibrationer eller stötar.
 - För mycket damm.
 - Otillräcklig ventilation, t.ex. skåp eller bokhylla. Installera enheten i rum som är större 4m².



Installera inte enheten på en plats där antändlig gas kan börja läcka

Använd enheten i en temperatur mellan 5–35 °C.

Den får inte användas utomhus. Den är endast avsedd för inomhusbruk i bostäder.

Använd inte enheten nära väggar, gardiner eller andra föremål som kan blockera luftintag och -utlopp.

Se till att luftintag och luftutlopp är fria från hinder.

Om enheten vinklas i mer än 45° måste den stå upprätt i minst 24 timmar innan den startas.

Se till att alla dörrar, fönster och andra rumsöppningar är stängda för att förbättra driftseffekten.

Undvik direkt solljus.

Det är normalt att luftutloppet känns varmt efter kontinuerlig användning under varma dagar.

Töm vattenbehållaren innan du flyttar enheten.

Se till att vattenbehållaren är korrekt placerad, annars kommer enheten inte att fungera korrekt.

Enheten startar i samma läge som valdes vid det senaste användningstillfället.

Enheten startar avfuktningen om rumstemperaturen är 3 % högre än inställd luftfuktighet.

Det finns en skyddande 3-minutersfördröjning för kompressorn. Vänta 3 minuter så att avfuktaren kan återuppta avfuktningen.

SE

FUNKTIONER

POWER-KNAPP

Tryck på den här knappen för att starta enheten. Indikatorlampan tänds, standardinställning för fläkten är hög och för luftfuktigheten 60 %.

När enheten är påslagen, trycker du 2 sekunder för att stänga av den. Indikatorlampan släcks och kompressorn stannar omedelbart och fläkten stängs sedan av efter 30 sekunders fördröjning.

MODE-KNAPP

Tryck på den här knappen för att växla mellan auto-, tvättorknings- och viloläge.

AUTO

När omgivningsfuktigheten är densamma eller +3 % över vald luftfuktighet startar fläkten och kompressorn börjar arbeta efter 3 sekunder.

När omgivningsfuktigheten är samma eller -3 % under vald luftfuktighet stannar kompressorn och fläkten stannar efter 30 sekunders fördröjning.

Tryck på HUM SET-knappen för att justera fuktighetsnivån i autoläge.

TVÄTTORKNING:

Kompressorn fortsätter driften utan styrning av luftfuktigheten; fläkthastigheten och målfuktigheten kan inte justeras.

VILOLÄGE

Efter att du har valt viloläge tänds knapparna. Efter 10 sekunders inaktivitet släcks alla indikatorlampor gradvis och fläkthastigheten växlar till låg. Tryck på valfri knapp för att aktivera displayen och indikatorlamporna.

TIMER-KNAPP

Tryck på knappen för att aktivera timerfunktionen på 01–24 timmar.

Displayen blinkar och visar timme. Tryck på HUM SET-knappen så ökas värdet med 1 timme.

Ställ in tiden på 00 för att avbryta timerfunktionen.

HASTIGHET

Det finns två fläkthastigheter: hög och låg. Tryck på FAN-knappen för att växla mellan de olika fläkthastigheterna. Hastigheten kan endast justeras i auto.

LOCK

Tryck på och håll ner Lock-knappen för att aktivera eller avaktivera låsfunktionen.

INDIKATORLAMPOR FÖR VATTENBEHÅLLARE

När behållaren är full aktiveras larmsignalen och indikatorlampan för vattenbehållaren lyser rött.

Tryck på valfri knapp för att stänga av larmsignalen. Kompressorn och fläkten stannar och funktionen pausar tills behållaren har tömts och satts tillbaka i rätt läge igen.

AVRINNING

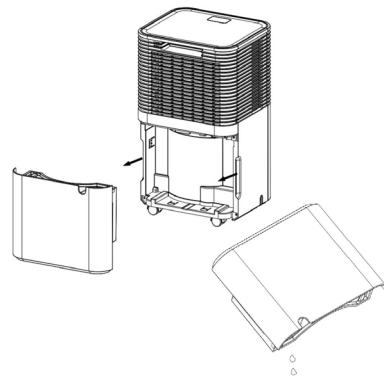
Det finns två sätt att tömma enheten på vatten.

1. Manuell tömning: Töm vattenbehållaren manuellt när den är full.
2. Kontinuerlig avrinning: Fäst en slang och använd tyngdkraften för att tömma enheten på vatten.

MANUELL TÖMNING

När vattenbehållaren är full pausar enheten. Efter tömning av vattenbehållaren sätter du tillbaka den korrekt igen så startar enheten igen.

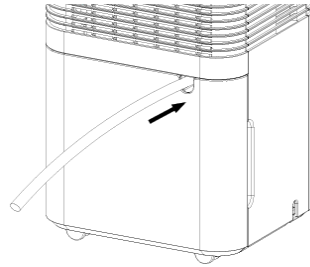
- När vattenbehållaren är full avger enheten en signal och indikatorn för "full vattenbehållare" tänds.
- Skjut försiktigt ut vattenbehållaren och töm den.
- Rengör vattenbehållaren invändigt och utvändigt.
- Sätt tillbaka vattenbehållaren i basenheten.
- Om indikatorlampan för full vattenbehållare fortfarande lyser, kontrollera att skumflottören sitter som den ska.



KONTINUERLIG VATTENAVRINNING

För kontinuerlig avrinning ansluer du avloppsslangen till enheten.

- Placera enheten på en jämn och slät yta.
- Stäng av enheten innan du ansluter slangen.
- Anslut slangen till enheten på ett säkert och korrekt sätt och se till att slangen inte är böjd eller vikt, det kan stoppa vattenflödet.
- Placera slangutloppet över ett avlopp eller en hink och se till att vattnet fritt kan flöda ut ur enheten.
- Sänk inte ner slangändan i vatten eftersom det kan orsaka "luftlås" i slangen.



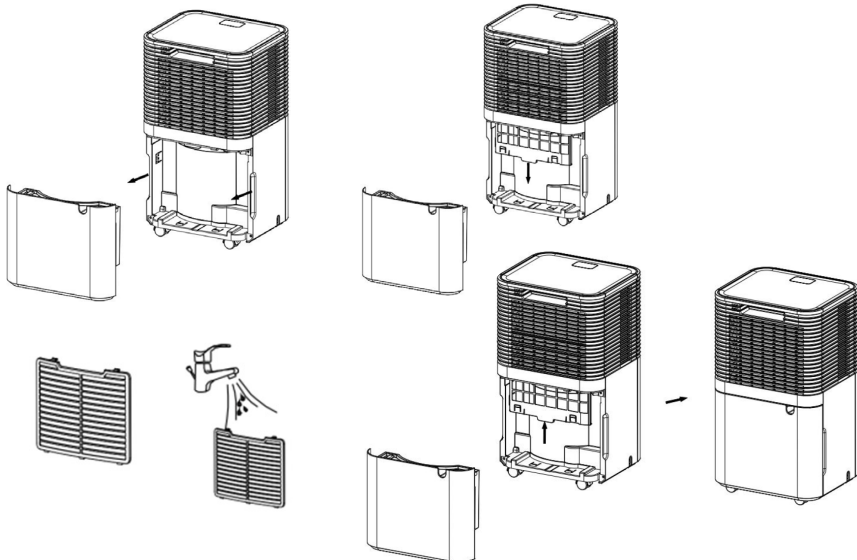
UNDERHÅLL

SE

RENGÖRING AV FILTRET

Filtret samlar upp damm som begränsar luftflödet. Ett begränsat luftflöde försämrar enhetens effektiva funktion och vid blockering kan enheten ta skada.

- Avlägsna luftfiltret.
- Skölj filtret under rinnande varmt vatten eller använd en dammsugare för att avlägsna damm.
- Efter rengöring av filtret måste det få torka helt innan du sätter tillbaka det i enheten.



FÖRVARING

Om enheten inte ska användas under en längre tid (mer än 3 veckor) ska du rengöra och torka den helt.

1. Stäng av enheten och dra ut stickkontakten.
2. Töm vattenbehållaren och låt den torka. Om vattenbehållaren är ansluten till avloppsslangen, kontrollera att den är tom, koppla bort den och se till att den är torr.
3. Avlägsna filtret och rengör det med varmt vatten. Låt det torka helt innan du sätter i det igen.
4. Enheten måste förvaras i upprätt läge.
5. Förvara enheten i ett ventilerat och torrt utrymme inomhus, fritt från frätande gas.

Avdunstningsenheten inuti avfuktaren måste vara helt torr innan avfuktaren ställs undan för förvaring. Detta för att undvika skador på komponenter och mögel. Dra ut stickkontakten ur eluttaget och placera enheten på en torr och öppen plats i flera dagar. Ett annat sätt att torka avdunstningsenheten är att ställa in luftfuktighetsnivån till mer än 5 % högre än den omgivande luftfuktigheten vilket tvingar fläkten att torka avdunstningsenheten i några timmar.

SE

FELSÖKNING

Driftstemperatur 5–35 °C.

Enhetens stannar när temperaturen är lägre eller högre än drifttemperaturen.

När temperaturen ligger på 5–16 °C avfrostas kompressorn automatiskt i intervall.

Under avfrostningen stoppas kompressorn och fläkten fortsätter att gå.

Problem	Möjlig orsak	Lösning
Fungerar inte	Strömförsörjning saknas.	Anslut till ett fungerande eluttag och starta enheten.
	Indikatoren för full vattenbehållare blinker	Töm vattenbehållaren och sätt tillbaka den korrekt i enheten.
	Rumstemperaturen är lägre än 5 °C eller högre än 35 °C	Skyddsfunktion aktiveras. Enheten går inte att använda vid dessa temperaturer.
Nedsatt funktion	Är filtret igensatt?	Följ instruktionerna för rengöring av filtret
	Finns det hinder i inlopps- eller utloppskanalen?	Avlägsna hindret från utlopps- eller inloppskanalen.
Inget luftintag	Är filtret igensatt?	Rengör filtret.

Högt ljud från enheten under drift	Är enheten placerad på en plan yta?	Placera enheten på en jämn och slät yta
	Är filtret igensatt?	Rengör filtret.
E2	Problem med luftfuktighetssensor	Kontakta kundtjänst
LO	Omgivande luftfuktighet understiger 20 %	Skyddsfunktion stänger av avfuktaren
HI	Omgivande luftfuktighet överstiger 90 %	
CL	Skydd mot låg temperatur, temperaturen är under 5 °C	
CH	Skydd mot hög temperatur, temperaturen är över 35 °C	

SE

SE



GARANTI

SE

Wilfa ger en garanti på fem (5) år på denna produkt från och med inköpsdatum. Garantin täcker tillverkningsfel eller defekter som uppstår under garantiperioden. Ditt inköpskvitto fungerar som bevis gentemot återförsäljaren om du åberopar garanti.

Garantin gäller endast produkter som köps och används för privat bruk, för normala hushållsändamål. Garantin gäller inte om produkten används för kommersiella ändamål. Garantin gäller inte om produkten används felaktigt eller oaktsamt, om du underlåter att följa Wilfas anvisningar, om produkten har modifierats eller om reparation har utförts av en icke auktoriserad person/verkstad. Garantin omfattar vidare inte fel som uppstår till följd av normalt slitage, felaktig användning, bristande underhåll eller felaktig elektrisk spänning eller:

- Överbelastning av produkten
- Delar som normalt slits
- Delar som du kan förvänta dig ska bytas ut regelbundet (t.ex. filter, batteri osv.)

Bruksanvisningen finns även på vår hemsida wilfa.com

PRODUKTSPECIFIKATIONER

220V-240V~50Hz 200W

50g R290

SUPPORT OCH RESERVDELAR

För support besök oss på **wilfa.com** och se vår kundservice-/support sida. Här hittar du svar på vanliga frågor, reservdelar, tips och tricks och all vår kontaktinformation.

ÅTERVINNINGSBARHET



Denna märkning anger att produkten inte får kastas med vanligt hushållsavfall inom EU. För att förhindra skador på miljö och människor ska produkten lämnas in och återvinnas enligt gällande bestämmelser.

■ Använd produkt kan lämnas på angivna återvinningsanläggningar eller lämnas till din lokala återförsäljare. De kan omhänderta produkten och återvinna den på miljömässigt sätt utan kostnad.

SE

DK

DK

INDHOLD

54	SIKKERHEDSADVARSEL
58	PRODUKTOVERSIGT
59	KONTROLPANEL
60	FUNKTIONER
62	VEDLIGEHOLDELSE
63	OPBEVARING
64	FEJLFINDING
66	GARANTI
27	PRODUKTSPECIFIKATIONER
27	SUPPORT OG RESERVEDELE
27	GENANVENDELIGHED

SIKKERHEDSADVARSEL

- Apparatet må benyttes af børn fra 8 år og personer med begrænsede fysiske, sensoriske eller mentale evner eller mangel på erfaring og viden, hvis de er under opsyn eller har fået vejledning i brug af produktet på en sikker måde og forstår den risiko, der er forbundet hermed.
- Børn må ikke lege med apparatet.
- Rengøring og vedligeholdelse må ikke foretages af børn uden opsyn.
- Inden brug skal du kontrollere, at ledningen er i overensstemmelse med kravene på mærkepladen.
- Inden rengøring skal affugteren slukkes og stikket tages ud.
- Kontroller, at ledningen ikke bliver klemt af hårde genstande.
- Undgå at trække stikket ud eller flytte apparatet ved at trække i ledningen.
- Brug ikke varmeapparater i nærheden af affugteren.
- Tag ikke stikket ud med våde hænder.
- Brug ledning med jord, og kontroller at den er forbundet rigtigt og ikke er beskadiget.
- Placer ikke affugteren under dryppende

DK

genstande.

- Hukommelsesfunktionen er en del af denne affugter.
- Når der ikke er nogen, der holder øje med apparatet, skal det slukkes og stikket skal tages ud eller strømmen afbrydes.
- Undgå at demontere apparatet selv.
- Hvis der opstår unormale forhold (f.eks. brændt lugt), bør man straks afbryde strømmen og kontakte den lokale forhandler.
- Brug ikke en forlængerledning.
- Apparatet skal installeres i henhold til nationale ledningsnetregler.
- Dette produkt er kun beregnet til indendørs, ikke-industrielt, ikke-kommercielt husholdningsbrug.
- Hvis strømledningen er beskadiget, skal den udskiftes af producenten, en fagmand eller en lignende kvalificeret person for at undgå farlige situationer.

DK



Dette apparat indeholder den brandbare gas R290.

KØLEMIDLET

- For at airconditionanlægget kan fungerer, cirkulerer et specielt kølemiddel i systemet. Det anvendte kølemiddel er fluorid R290, der er specielt rensat.
- Kølemidlet er brandbart og lugtfrit. Desuden kan det medføre eksplosion under visse omstændigheder.
- Sammenlignet med almindelige kølemidler er R290 et ikke-forurenende kølemiddel, der ikke skader ozonlaget. Påvirkningen af drivhuseffekten er også lavere. R290 har rigtig gode termodynamiske egenskaber, som medfører en relativt høj energieffektivitet. Derfor kræver apparaterne mindre opfyldning.
- Se mærkepladen for anvendt mængde af R290.

DK

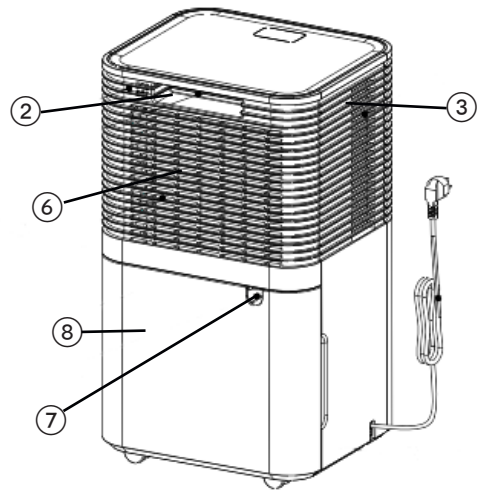
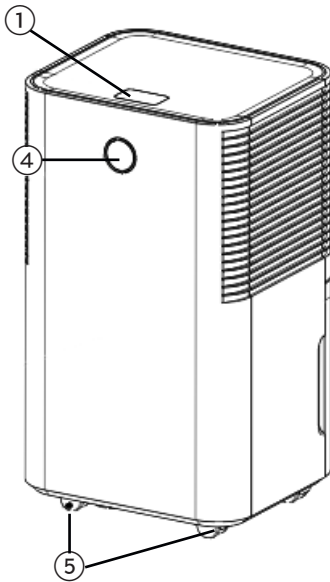
ADVARSEL

- Apparat fyldt med brændbar gas R290.
- Apparatet skal installeres, betjenes og opbevares i et rum med et gulvareal på mere end 4 m².
- Apparatet skal opbevares i et rum uden aktive antændingskilder, (fx: åben ild, og tændte gasapparater eller tændte elektriske varmeapparater.)
- Apparatet skal opbevares i et godt ventileret område, hvor rummets størrelse svarer til rumstørrelsen specificeret for betjening.
- Apparatet skal opbevares, så mekaniske skader undgås.
- Kanaler forbundet til apparatet må ikke indeholde en antændelseskilde.
- Hold nødvendige ventilationsåbninger fri for blokeringer.

- Må ikke punkteres eller brændes.
- Vær opmærksom på, at kølemiddel ikke lugter.
- Brug ikke metoder til at fremme optøningsprocessen eller rengøring, undtagen hvad der anbefales af producenten.
- Service skal udføres i henhold til producentens anbefalinger.
- Hvis reparation er nødvendig, bedes du kontakte nærmeste autoriserede servicecenter.
- Reparationer udført af ikke kvalificerede personer kan være farlig.
- Vær opmærksom på at overholde nationale gasregler.

DK

PRODUKTOVERSIGT



DK

1. Kontrolpanel
2. Håndtag
3. Luftudtag
4. Indikatorlys
5. Transporthjul
6. Filter

7. Udtag til kontinuerlig dræning
8. Vandbeholder

KONTROLPANEL



LOCK



SPEED



TIMER



HUM SET



MODE



POWER

POWER: Tryk for at tænde eller slukke for affugteren.

MODE: Tryk for at vælge mellem auto-, tørring af vasketøj- eller dvalefunktion.

HUM SET: Tryk for at justere fugtniveau (30-80 %) og vælg timer (1-24 t)

TIMER: Tryk for at indstille tid, hvornår apparatet automatisk starter eller stopper. Tryk på timerknappen for at indstille 01-24 t timerfunktion.

FAN: Tryk for at vælge mellem høj og lav blæserhastighed.

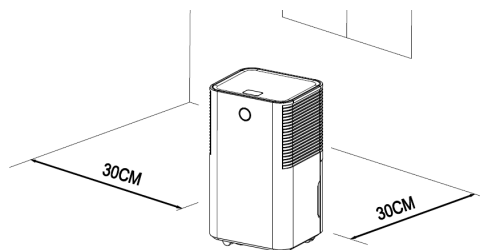
LOCK: Tryk og hold knappen nede for at låse eller låse op.

Display: Viser fugtniveau, timerindstilling eller temperatur.

BETJENING

PLACERING:

1. Placer apparatet på et solidt, plant underlag med mindst 30 cm fri luft omkring det for at sikre ordentlig luftcirkulation.
2. Installer aldrig apparatet hvor det kan blive udsat for:
 - Varmekilder som radiatorer, varmespjæld, ovne eller andre produkter, der kan afgive varme.
 - I områder, hvor der er risiko for sprøjt af olie eller vand.
 - Direkte sollys.
 - Mekanisk vibration eller stød.
 - Overdreven støj.
 - Manglende ventilation, som et skab eller en bogreol.



Installer apparatet i et rum på mere 4 m². Installer ikke apparatet på steder, hvor brændbar gas kan lække.

Betjen apparatet ved temperaturer mellem 5 °C og 35 °C.

Må ikke benyttes udendørs. Den er kun beregnet til brug indendørs i boliger.

DK

Betjen ikke apparatet tæt på vægge eller andre genstande der kan blokere luftindtag og luftudtag.

Hold luftindtag/-udtag fri for forhindringer.

Hvis apparatet vippes mere end 45°, skal det stå i opret position i mindst 24 timer, inden det startes.

Luk alle døre, vinduer og andre åbninger til det fri fra lokalet for at forbedre arbejds-effekten.

Undgå direkte sollys.

Det er normalt, at luftudtaget føles varmt efter kontinuerlig brug på varme dage.

Tøm vandbeholderen, inden du flytter apparatet.

Vandbeholderen skal være placeret korrekt, ellers virker apparatet ikke, som det skal.

Apparatet starter op i den indstilling, det sidst blev brugt i.

Apparatet starter affugtning, hvis rummets luftfugtighed er 3 % højere end den valgte luftfugtighed.

Der er en beskyttende 3 minutters forsinkelse på kompressoren. Vent 3 minutter, før affugteren genoptager affugtningen.

FUNKTIONER

POWER-KNAP

Tryk på denne knap for at tænde for apparatet. Indikatorlyset tænder, standard blæserhastighed er høj og standard luftfugtighed er 60 %.

Når apparatet er tændt, trykkes på knappen for at slukke det. Indikatorlyset slukker, og kompressoren stopper straks, og derefter stopper blæseren efter 30 sekunders forsinkelse.

MODE-KNAP

Tryk på denne knap for at skifte mellem auto-, vasketøjs- og dvalefunktion.

AUTO

Når omgivelsernes luftfugtighed svarer til eller er højere end din valgte luftfugtighed +3 %, starter blæseren, og kompressoren starter efter 3 sekunder.

Når omgivelsernes luftfugtighed svarer til eller er lavere end din valgte luftfugtighed -3 %, stopper kompressoren, og blæseren stopper efter 30 sekunders forsinkelse.

Tryk på HUM SET knappen for at justere luftfugtighedsniveau i auto-funktion.

TØRRING AF VASKETØJ-FUNKTION

Kompressoren fortsætter uden at blive styret af luftfugtighed: blæserhastigheden og den endelige luftfugtighed kan ikke justeres.

DVALE-FUNKTION

Når du har valgt dvale-funktion, lyser knapperne. Efter 10 sekunder uden betjening, slukker alle indikatorlys gradvis, og blæserhastighed skifter til lav. Tryk på valgfri knap for at vække displayet og lysene.

TIMER-KNAP

Tryk på timerknappen for at indstille 01-24 t timerfunktion.

Displayet blinker og viser timer. Tryk på HUM SET-knappen, og værdien stiger med 1 time.

Indstil timeren på 00, hvis du vil annullere timerfunktionen.

HASTIGHED

Du kan vælge mellem to blæserhastigheder: høj og lav. Tryk på Fan-knappen for at skifte mellem de to hastigheder. Hastighed kan kun justeres i auto.

LÅS

Tryk på låseknappen og hold den nede for at slå låsefunktionen til eller fra.

VANDBEHOLDER INDIKATOR

Når beholderen er fuld, starter alarmen, og vandbeholderens indikator lyser rødt.

Tryk på valgfri knap for at stoppe alarmen. Kompressor og blæser stopper, og funktionen går på pause, indtil beholderen er tømt og sat korrekt på plads igen.

DRÆNING

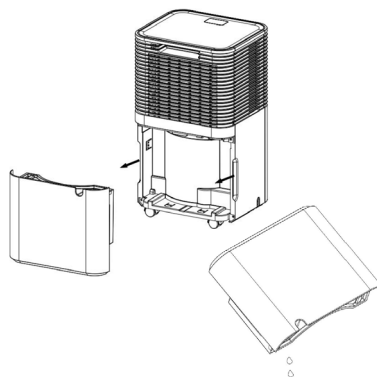
Vand kan fjernes fra apparatet på to måder.

1. Manuel dræning: Tøm vandbeholderen manuelt, når den er fuld.
2. Kontinuerlig dræning: Tilslut en slange, og brug tyngdekraften til at dræne vandet væk.

MANUEL DRÆNING

Når vandbeholderen er fuld, går apparatet på pause. Efter tømning af vandbeholderen, skal den sættes rigtigt i, før apparatet starter op igen.

- Når vandbeholderen er fuld, udsender apparatet en lyd, og "vandbeholder fuld"-indikatoren lyser.
- Skub forsigtigt vandbeholderen ud, og tøm den.
- Rengør vandbeholderens inderside og yderside.
- Placer vandbeholderen i apparatet.
- Hvis "vandbeholder fuld"-indikatoren stadig er tændt, skal du kontrollere om skum-flyderen er placeret korrekt.

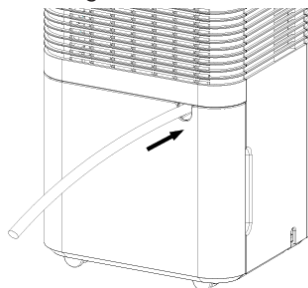


DK

KONTINUERLIG DRÆNING

Tilslut en dræningslange til apparatet, hvis du ønsker kontinuerlig dræning.

- Placer apparatet på et stabilt og vandret underlag.
- Sluk for apparatet, inden du tilslutter slangen.
- Tilslut slangen til apparatet sikkert og korrekt. Slangen må ikke være bukket eller snoet, da det kan stoppe vandgennemstrømningen.
- Placer slangens udløb over et afløb eller en spand, og sørg for at vandet kan løbe frit ud af apparatet.
- Nedsænk ikke enden af slangen i vand: Det kan medføre luftlås i slangen.

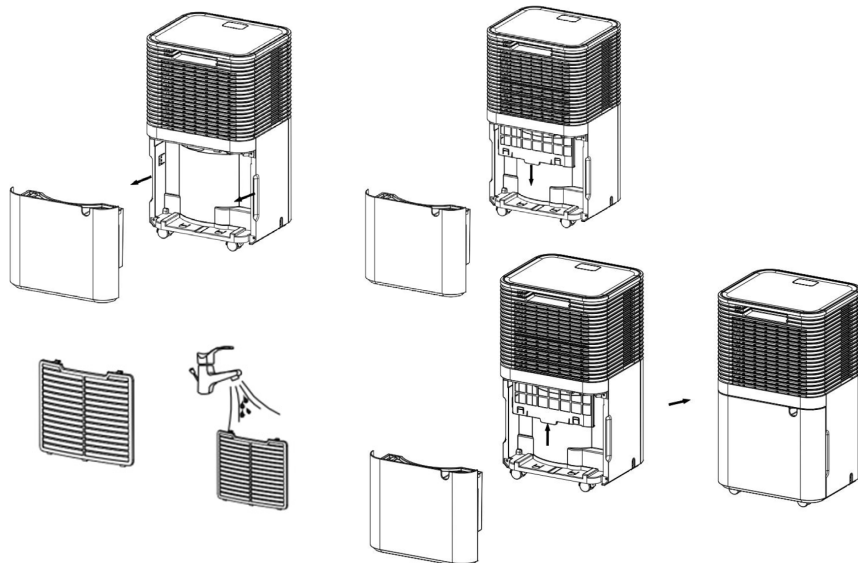


VEDLIGEHOLDELSE

RENGØRING AF FILTER

Filteret opsamler støv, der blokerer luftstrømmen. Blokeret luftstrøm reducerer apparatets effektivitet, og hvis den blokeres, kan det medføre skade på apparatet.

- Fjern filteret.
- Skyl filteret under rindende varmt vand eller brug en støvsuger til at fjerne støv.



- Efter rengøring af filteret skal det tørre, inden det sættes tilbage i apparatet.

OPBEVARING

Hvis du ikke bruger apparatet i en længere periode (mere end 3 uger), skal det gøres rent og tørre helt.

1. Sluk for apparatet, og tag stikket ud.
2. Tøm vandbeholderen, og lad den tørre. Hvis apparatet er tilsluttet en afløbsslange, skal den være tømt, taget af og være tør.
3. Fjern filteret, og rengør det i varmt vand. Lad det tørre, inden det sættes i igen.
4. Apparatet skal opbevares i opret position.
5. Opbevar det et ventileret og tørt sted indendørs, der er fri for evt. ætsende gasarter.

Fordamperen inde i apparatet skal være helt tør, inden apparatet sættes til opbevaring. Det er for at modvirke skader på komponenter og mug. Tag stikket ud af apparatet, og placer det et tørt og åbent sted i nogle dage, så det tørrer helt. En anden måde at tørre det, er at indstille luftfugtigheden mere end 5 % højere end den omgivende luftfugtighed for at tvinge blæseren til at tørre fordamperen i et par timer.

DK

FEJLFINDING

Funktionstemperatur 5 °C -35 °C.

Når temperaturen er lavere eller højere end funktionstemperaturen, stopper apparatet.

Når temperaturen er mellem 5 og 16 grader optør kompressoren automatisk i intervaller. Under optøning stopper kompressoren, og blæseren kører videre.

Problem	Mulig årsag	Løsning
Virker ikke	Ingen strømforsyning	Tilslut til stikkontakt, og tænd for apparatet.
	Vandbeholder fuld-indikator blinker	Tøm vandbeholderen, og sæt den korrekt i apparatet
	Rumtemperaturen er lavere end 5 °C eller højere end 35 °C	Sikkerhedsfunktionen, der er designet til at beskytte apparatet, er aktiveret. Kan ikke køre under disse temperaturer.
Dårlig funktion	Er filteret blokeret?	Følg vejledningen i, hvordan du rengør filteret
	Er luftindtag, eller luftudtag blokeret?	Fjern blokeringen fra luftindtag eller luftudtag
Ingen luftindtag	Er filteret blokeret?	Rens filteret
Høj lyd fra apparatet, når det kører	Er apparatet placeret på et vandret underlag?	Placer apparatet på et stabilt og vandret underlag
	Er filteret blokeret?	Rens filteret
E2	Problem i sensor for luftfugtighed	Kontakt kundeservice
LO	Omgivende luftfugtighed er under 20 %	Sikkerhedsfunktionen slukker apparatet
HI	Omgivende luftfugtighed er over 90 %	
CL	Beskyttelse mod lav temperatur, temperaturen er under 5 °C	
CH	Beskyttelse mod høj temperatur, temperaturen er over 35 °C	

DK

DK



GARANTI

Wilfa yder 5 års garanti på dette produkt fra købsdatoen. Garantien dækker produktionsfejl eller mangler, der opstår i garantiperioden. Din kvittering fungerer som dokumentation over for forhandleren, hvis du ønsker at benytte din garanti.

DK

Garantien gælder kun for produkter, der er købt til og bruges i private husstande. Garantien gælder ikke, hvis produktet bruges kommercielt. Garantien gælder ikke, hvis produktet er misbrugt, forsømt, vejledningen fra Wilfa ikke er fulgt, produktet er ændret, eller der er foretaget uautoriseret reparation. Garantien gælder heller ikke for normalt slid på produktet, misbrug, manglende vedligeholdelse, brug af forkert spænding eller:

- Overbelastning af produktet
- Dele, der normalt bliver slidt
- Dele, der kan forventes udskiftet regelmæssigt (f.eks. filter, batteri osv.)

Brugervejledningen er også tilgængelig på vores hjemmeside wilfa.dk/wilfa.com

PRODUKTSPECIFIKATIONER

220V-240V~50Hz 200W
50g R290

SUPPORT OG RESERVEDELE

Hvis du har brug for support, kan du finde vores kundeservice/supportside på **Wilfa.com**. Her finder du ofte stillede spørgsmål, reservedele, tips og tricks og alle vores kontaktoplysninger.

GENANVENDELIGHED



Denne mærkning viser, at produktet ikke må bortskaffes sammen med andet husholdningsaffald i hele EU. For at forebygge mulige skader på miljøet eller menneskers sundhed fra ukontrolleret bortskaffelse af affald skal produktet genbruges ansvarligt for at fremme bæredygtig genbrug af materielle ressourcer. For at returnere din brugte enhed skal du anvende retur- og indsamlingssystemet eller kontakte den detailhandel, hvor du har købt produktet. De kan tage imod produktet og sikre miljømæssigt ansvarlig genbrug gratis.

DK

FI

SISÄLLYS

70	TURVAVAROITUKSET
74	TUOTTEEN KUVAUS
75	OHJAUSPANEELI
75	KÄYTTÖ
76	TOIMINNOT
77	TYHJENNYS
78	KUNNOSSAPITO
80	VIANMÄÄRITYS
82	TAKUU
83	TUKI JA VARAOSAT
83	KIERRÄTYS

FI

TURVAVAROITUKSET

- Kahdeksan vuotta täyttäneet lapset sekä fyysisesti, henkisesti, aisteiltaan tai tietämykseltään rajoittuneet tai kokemattomat henkilöt voivat käyttää laitetta, jos heitä valvotaan tai heitä on neuvottu käyttämään laitetta turvallisesti ja he ymmärtävät sen käyttämiseen liittyvät vaarat.
- Älä anna lasten leikkiä laitteella.
- Lapset eivät saa puhdistaa tai huoltaa laitetta ilman aikuisen valvontaa.
- Tarkista ennen käyttöä, että virtajohto on arvokilven määrittämisen mukainen.
- Katkaise kosteudenpoistimesta virta ja irrota pistokepistorasiasta ennen laitteen puhdistusta.
- Tarkista, että kovat esineet eivät paina virtajohtoa.
- Älä irrota pistoketta tai siirrä laitetta vetämällä virtajohdosta.
- Älä käytä lämmityslaitteita kosteudenpoistimen läheisyydessä.
- Älä irrota pistoketta kostein käsin.
- Käytä maadoitettua ja ehjää virtajohtoa ja varmista, että se on asianmukaisesti kytketty.

- Älä sijoita kosteudenpoistinta sellaisten esineiden alle, joista tippuu vettä.
- Kosteudenpoistimessa on muistitoiminto.
- Kun kukaan ei ole huolehtimassa laitteesta, siitä katkaistaan virta ja pistoke irrotetaan pistorasiasta.
- Älä korjaa tai pura laitetta itse.
- Jos huomaat epänormaalin tilan (kuten palaneen hajua), katkaise virta välittömästi ja ota yhteyttä paikalliseen jälleenmyyjään.
- Älä käytä jatkojohtoa.
- Laite on asennettava kansallisten sähköasennuksia koskevien säädösten mukaisesti.
- Tämä laite on tarkoitettu ainoastaan kotikäyttöön sisätiloissa. Sitä ei ole tarkoitettu teolliseen tai kaupalliseen käyttöön.
- Jos virtajohto on vahingoittunut, se on vaaran välttämiseksi vaihdettava valmistajalla, valmistajan valtuuttamassa huoltokorjaamossa tai valtuutetulla ammattilaisella.

FI

**R290**

Tämä laite sisältää herkästi syttyvää R290-kaasua.

KYLMÄAINE

- Ilmalämpöpumpussa käytetään erityistä kylmäainetta, jonka avulla laite voi toimia aiotulla tavalla. Käytetty kylmäaine on erityispuhdistettua R290-fluoridia.
- Kylmäaine on palavaa ja hajutonta. Se voi aiheuttaa tietyissä olosuhteissa myös räjähdyksen.
- Yleisesti käytössä olevista kylmäaineista poiketen R290 ei saastuta eikä vaikuta negatiivisesti otsonikerrokseen. Sen kasvihuonevaikutukset ovat myös muita aineita pienemmät. R290-aineen termodynaamiset ominaisuudet ovat erittäin hyvät, minkä ansiosta sen käyttö on energiatehokasta. Sen vuoksi laitteita ei tarvitse täyttää yhtä usein.
- Tyyppikilvessä on ilmoitettu R290-kylmäaineen täyttömäärä.

VAROITUS

FI

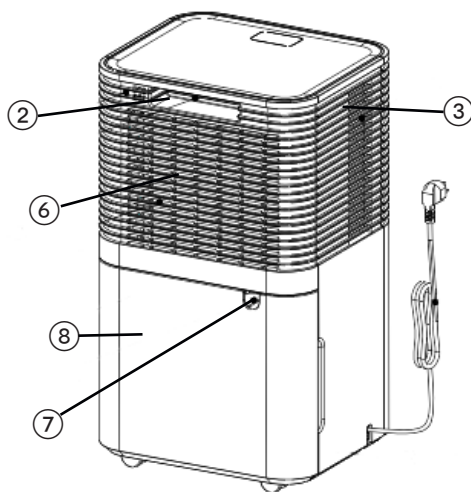
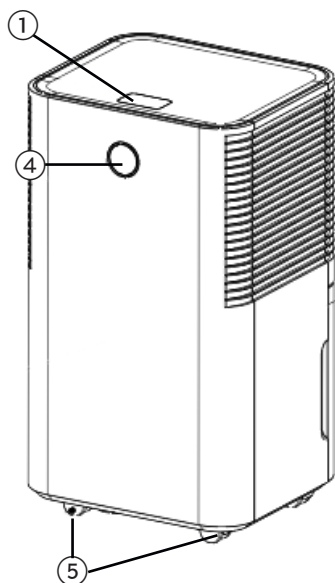
- Laite on täytetty palavalla R290-kaasulla.
- Laitteen asennus-, käyttö- ja varastointipaikan lattia-pinta-alan tulee olla vähintään 4 m².
- Käytöstä poistettua laitetta on säilytettävä tilassa, jossa ei ole syttymislähteitä (esimerkiksi avotulta tai toiminnassa olevaa kaasulaitetta tai sähkölämmittintä).
- Laitetta tulee säilyttää hyvin ilmastoidussa paikassa, jonka koko vastaa käytön aikaisia huonekokomääräyksiä.
- Laitetta tulee säilyttää siten, että se ei pääse vaurioitumaan mekaanisesti.
- Laitteeseen liitettyjen putkien ei tule sisältää syttymis-

lähteitä.

- Pidä esteet poissa kaikkien ilmanvaihtoaukkojen edestä.
- Älä lävistä tai polta.
- Ota huomioon, että kylmäaineet eivät välttämättä haise miltään.
- Älä yritä nopeuttaa sulatusta tai puhdistusta tavalla, joka eroaa valmistajan suosituksista.
- Huoltotyöt tulee suorittaa yksinomaan valmistajan suosittelemalla tavalla.
- Mikäli laite tarvitsee korjausta, ota yhteyttä lähimpään valtuutettuun huoltoliikkeeseen.
- Epäpätevien henkilöiden suorittamat korjaustyöt voivat olla vaarallisia.
- Noudata kansallisia kaasun käyttöä koskevia säännöksiä.

FI

TUOTTEEN KUVAUS



FI

1. Ohjauspaneeli
2. Kahva
3. Ilmanpoistoaukko
4. Merkkivalot
5. Rullapyörät
6. Suodatin

7. Jatkuvassa käytössä oleva poistoaukko
8. Vesisäiliö

OHJAUSPANEELI



LOCK



SPEED



TIMER



HUM SET



MODE



POWER

POWER: Kosteudenpoistimen käynnistäminen ja sammuttaminen.

MODE: Automaattisen tilan, pyykinkuivaus- tai lepotilan valitseminen.

HUM SET: Kosteustason (30–80 %) säätäminen ja ajastimen ajan (1–24 h) valitseminen

TIMER: Ajastimen ajan säätäminen laitteen käynnistämiseksi tai pysäyttämiseksi automaattisesti. Aseta 01–24h-ajastintoiminto painamalla ajastinpainiketta.

FAN: Suuren tai pienen puhallinnopeuden valitseminen.

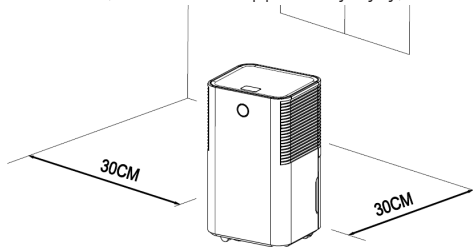
LOCK: Kytke lukitus päälle tai pois päältä painamalla pitkään.

Näyttö: Näyttää kosteusarvon, ajastinasetuksen tai lämpötilan.

KÄYTTÖ

SIJOITTAMINEN

1. Aseta laite tukevalle ja tasaiselle alustalle, jonka ympärillä on ilman kiertämistä varten vähintään 30 cm vapaata tilaa.
2. Älä sijoita laitetta paikkaan, jossa se voi altistua:
 - Lämmönlähteille (esimerkiksi lämpöpatterit, lämpöritilät, liedet ja muut lämpöä tuottavat laitteet)
 - öljy- tai vesiroiskeille
 - Suoralle auringonvalolle
 - Mekaaniselle tärinälle tai iskuille
 - Liialliselle pölylle
 - Huonolle ilmanvaihdolle (esimerkiksi kaappi tai kirjahylly).



Asenna laite yli 4 m²:n kokosiin huoneisiin. Älä sijoita laitetta paikkaan, johon saattaa vuotaa syttyviä kaasuja.

Käytä laitetta lämpötilassa 5–35 °C.

Älä käytä laitetta ulkona. Laite on tarkoitettu vain sisäkäyttöön asuinrakennuksissa.

FI

Älä käytä laitetta seinien, verhojen tai muiden sellaisten esineiden lähellä, jotka voivat tukkia tulo- ja poistoaukon.

Pidä ilmantulo- ja poistoaukot esteettöminä.

Jos laitetta on kallistettu yli 45°, anna sen seistä pystyasennossa vähintään 24 tuntia ennen käynnistystä.

Sulje huoneen kaikki ovet, ikkunat ja muut aukot laitteen tehon parantamiseksi.

Vältä suoraa auringonvaloa.

Ilmanpoistoaukko voi tuntua lämpimältä kuumina päivinä jatkuvan käytön jälkeen, se on normaalia.

Tyhjennä vesisäiliö ennen laitteen siirtämistä.

Varmista, että vesisäiliö on asetettu oikein, muuten se ei toimi kunnolla.

Laite käynnistyy viimeksi käytetyssä tilassa.

Laite aloittaa kosteudenpoiston, jos huoneen kosteus on 3 % valittua ilmankosteutta korkeampi.

Kompressorissa on 3 minuutin suojaviive. Odota 3 minuuttia, että kosteudenpoistin jatkaa toimintaa.

TOIMINNOT

VIRTAPAINIKE

Voit käynnistää laitteen painamalla tätä painiketta. Merkkivalo syttyy, puhaltimen oletusnopeus on suuri ja oletuskosteus on 60 %.

Sammuta laite painamalla virtapainiketta laitteen ollessa käynnissä. Merkkivalot sammuvat, kompressorin pysähtyy välittömästi ja puhallin sammuu 30 sekunnin viiveen jälkeen.

FI

TILA-PAINIKE

Voit valita automaattisen tilan, pyykinkuivaus- ja lepotilan tätä painiketta painamalla.

AUTOMAATTINEN

Kun ympäristön kosteus on vähintään yhtä suuri kuin valitsemasi kosteustaso +3 %, puhallin käynnistyy ja kompressorin alkaa toimia 3 sekunnin kuluttua.

Kun ympäristön kosteus on korkeintaan yhtä suuri kuin valitsemasi kosteus -3 %, kompressorin sammuu ja puhallin pysähtyy 30 sekunnin viiveen jälkeen.

Sääda kosteustasoa automaattisessa tilassa painamalla HUM SET-painiketta.

PYYKINKUIVAUSTILA

Kompressorin toimii ilman kosteusasetusta. Tuulettimen nopeutta ja tavoitekosteutta ei voi säätää.

LEPOTILA

Painikkeet syttyvät lepotilan valitsemisen jälkeen. Kun mitään ei tehdä 10 sekuntiin, kaikki merkkivalot sammuvat asteittain ja puhaltimen nopeus laskee. Voit syyttää näytön ja valot painamalla mitä tahansa painiketta.

AJASTINPAINIKE

Aseta 01–24h-ajastintoiminto painamalla ajastinpainiketta.

Näytössä näkyy aika ja se vilkkuu. Kun painat HUM SET-painiketta, arvo kasvaa 1 tunnin verran.

Voit peruuttaa ajastustoiminnon asettamalla ajaksi 00.

NOPEUS

Puhallinnopeuksia on kaksi: suuri ja pieni. Voit vaihtaa nopeutta painamalla Fan-painiketta.

Nopeutta voidaan säätää vain automaattisesti.

LUKITUS

Kytke lukitustoiminto päälle tai pois painamalla lukituspainiketta pitkään.

VESISÄILIÖN MERKKIVALO

Kun säiliö on täynnä, hälytys käynnistyy ja vesisäiliön merkkivaloon syttyy punainen valo.

Hälytys voidaan sammuttaa koskettamalla mitä tahansa painiketta. Kompressorit ja puhallin pysähtyvät ja toiminta keskeytyy, kunnes säiliö tyhjenetään ja asetetaan takaisin oikeaan asentoon.

TYHJENNYS

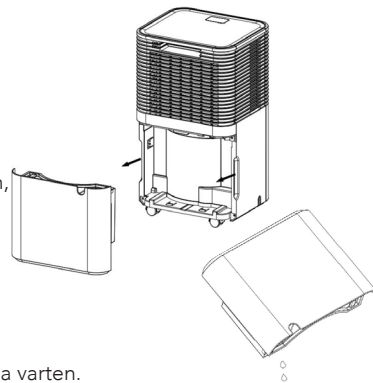
Laitteessa oleva vesi voidaan poistaa kahdella tavalla.

1. Manuaalinen tyhjennys: tyhjennä vesisäiliö käsin, kun se on täynnä.
2. Jatkuva tyhjennys: kiinnitä letku ja tyhjennä vesi painovoiman avulla.

MANUAALINEN TYHJENNYS

Kun vesisäiliö on täynnä, laite pysähtyy. Kun vesisäiliö on tyhjenetty, asenna vesisäiliö oikein ja laite käynnistyy uudelleen.

- Kun vesisäiliö on täynnä, laitteesta kuuluu äänimerkki ja Vesisäiliö täynnä -merkkivalo syttyy.
- Liu'uta vesisäiliö varovasti ulos ja tyhjennä se.
- Puhdista vesisäiliö sisä- ja ulkopuolelta.
- Aseta vesisäiliö laitteeseen.
- Jos Vesisäiliö täynnä -merkkivalo palaa edelleen, tarkista, että vaahtokytkeä on oikein paikoillaan.

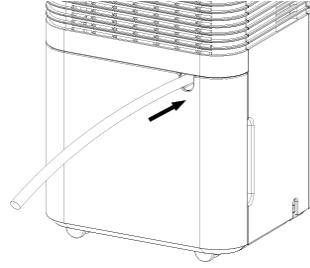


JATKUVA VEDENPOISTO

Liitä laitteeseen tyhjennysletku jatkuvaa vedenpoistoa varten.

- Aseta laite vakaalle ja vaakasuoralle pinnalle.
- Sammuta laite ennen letkun kiinnittämistä.

- Liitä letku kunnolla laitteeseen varmistaen, ettei siinä ole taittumuja tai kiertymiä, muutoin se voi estää veden virtauksen.
- Aseta letkun pää viemäriin tai astian päälle, jotta vesi pääsee virtaamaan vapaasti ulos laitteesta.
- Älä upota letkun päätä veteen, sillä se voi aiheuttaa letkuun ilmalukon.



KUNNOSSAPITO

Suodattimen puhdistaminen:

Suodatin kerää pölyä, joka rajoittaa ilmavirtausta. Rajoittunut ilmavirtaus heikentää laitteen tehoa. Jos ilmavirta tukkeutuu, laite voi vaurioitua.

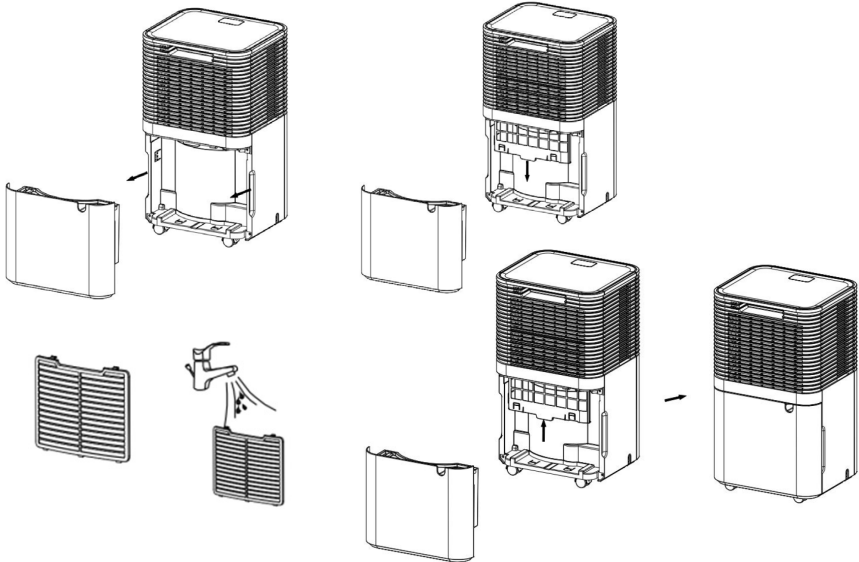
- Irrota suodatin.
- Huuhtelee suodatin lämpimällä juoksevilla vedellä tai poista pöly pölynimurilla.
- Varmista suodattimen puhdistuksen jälkeen, että se on kuiva, ennen kuin asetat sen takaisin laitteeseen.

SÄILYTYS

Jos laitetta ei käytetä pitkään aikaan (yli 3 viikkoa), puhdista ja kuivaa se huolellisesti.

1. Sammuta laite ja irrota pistoke pistorasiasta.
2. Tyhjennä vesisäiliö ja anna sen kuivua. Jos se on liitetty poistoletkuun, tarkista, että letku on tyhjä. Irrota letku ja varmista, että se on kuiva.
3. Irrota suodatin ja puhdista se lämpimällä vedellä. Anna kuivua ennen takaisin asenta-

FI



mista.

4. Laitte on varastoitava pystyasennossa.
5. Säilytä sitä ilmastoidussa ja kuivassa sisätilassa, jossa ei ole syövyttäviä kaasuja.

Laitteen sisällä olevan haihduttimen on oltava täysin kuiva ennen varastointia. Näin vältät komponenttivauriot ja homeen. Irrota laite pistorasiasta ja aseta se kuivaan ja avoimeen paikkaan kuivumaan muutamaksi päiväksi. Toinen tapa kuivata on asettaa kosteustaso yli 5 % korkeammaksi kuin ympäristön kosteus, jotta puhallin voi kuivata haihdutinta muutaman tunnin ajan.

VIANMÄÄRITYS

Käyttölämpötila 5–35 °C.

Kun lämpötila on toimintalämpötilaa matalampi tai korkeampi, laite pysähtyy.

Kun lämpötila on 5–16 astetta, kompressori sulattaa automaattisesti säännöllisin väliajoin. Sulatuksen aikana kompressori pysähtyy ja puhallin käy edelleen.

Ongelma	Mahdollinen syy	Ratkaisut
Ei toimi	Ei virransyöttöä	Kytke toimivaan pistorasiaan ja käynnistä laite.
	Vesisäiliön täyttymisen merkkivalo vilkkuu	Tyhjennä vesisäiliö ja aseta se takaisin laitteeseen oikein.
	Huoneen lämpötila on alle 5 °C tai yli 35 °C	Laitteen suojaustoiminto aktivoituu. Ei toimi näissä lämpötiloissa.
Virheellinen toiminta	Onko suodatin tukossa?	Noudata suodattimen puhdistusohjeita.
	Onko imu- tai poistokanava tukossa?	Poista tukos poisto- tai imukanavasta.
Ei ilmanottoa	Onko suodatin tukossa?	Puhdista suodatin.
Kova melu laitteesta työskentelyn aikana	Onko laite asetettu tasaiselle alustalle?	Aseta laite vakaalle ja vaakasuoralle alustalle.
	Onko suodatin tukossa?	Puhdista suodatin.
E2	Kosteusanturin häiriö	Ota yhteyttä asiakaspalveluun.

FI

LO	Ympäristön kosteus on alle 20 %	Suojamekanismi sammuttaa kosteudenpoistimen.
HI	Ympäristön kosteus on yli 90 %	
CL	Alhaisen lämpötilan suojaus, lämpötila on alle 5 °C	
CH	Korkean lämpötilan suojaus, lämpötila on yli 35 °C	

FI



TAKUU

Wilfa myöntää tälle tuotteelle viiden (5) vuoden takuun ostopäivämäärästä alkaen. Takuu kattaa valmistusvirheet ja takuuaikana ilmenevät viat. Ostokuitti toimii todisteena jälleenmyyjälle takuuvaatimusten esittämisen yhteydessä.

Takuu koskee ainoastaan yksityiskäyttöön ostettuja ja yksityiskäytössä olleita tuotteita. Takuu ei ole voimassa, jos tuotetta on käytetty kaupallisesti. Takuu ei ole voimassa, jos tuotetta on käytetty väärin, huolimattomasti tai Wilfan antamien ohjeiden vastaisesti tai jos tuotetta on muutettu tai korjattu valtuuttamattomalla tavalla. Takuu ei koske myöskään tuotteen normaalia kulumista, väärinkäyttöä, huollon puutetta tai väärän sähköjännitteen käyttöä eikä:

FI

- Tuotteen ylikuormittamista
- Normaalisti kuluvia osia
- Osia, jotka pitääkin vaihtaa säännöllisesti (esim. suodatin, paristo jne.)

Käyttöohje on saatavana myös verkkosivustoltamme osoitteessa wilfa.fi

TUOTETIEDOT

220V-240V~50Hz 200W
50g R290

TUKI JA VARAOSAT

Tukiasioissa käy osoitteesta **wilfa.fi** ja tutustu asiakaspalvelu-/tukisivuumme. Sieltä löydät usein kysytyt kysymykset, varaosat, vinkit ja neuvot sekä kaikki yhteystietomme.

KIERRÄTYS



Tämä merkki osoittaa, että tuotetta ei saa hävittää EU:n alueella talousjätteen mukana. Tuote on kierrätettävä kestävän kehityksen periaatteiden mukaisesti, jotta ympäristölle ja ihmisten terveydelle ei aiheudu haittaa. Kierrätä käytetty laite viemällä se keräyspisteeseen tai palauttamalla se tuotteen jälleenmyyjälle. Tällöin se käsitellään ilmainen ympäristön kannalta turvallisesti.

FI

DE

INHALT

86	SICHERHEITSHINWEISE
90	PRODUKTÜBERSICHT
91	BEDIENFELD
91	BEDIENUNG
94	WARTUNG
95	AUFBEWAHRUNG
96	FEHLERBEHEBUNG
98	GARANTIE
99	PRODUKTDATEN
99	SUPPORT UND ERSATZTEILE
99	RECYCLINGFÄHIGKEIT

DE

SICHERHEITSHINWEISE

- Dieses Gerät kann von Kindern ab 8 Jahren und Personen mit verminderten körperlichen, sensorischen oder geistigen Fähigkeiten bzw. ohne ausreichende Erfahrung und Wissen verwendet werden, wenn sie beaufsichtigt werden, eine Einweisung zur sicheren Nutzung des Geräts erhalten haben und die damit verbundenen Gefahren verstanden haben.
- Das Gerät ist kein Spielzeug für Kinder.
- Die Reinigung und Wartung darf von Kindern nicht ohne Beaufsichtigung ausgeführt werden.
- Bitte überprüfen Sie vor dem Betrieb, ob das Netzkabel den auf dem Typenschild angegebenen Anforderungen entspricht.
- Schalten Sie den Luftentfeuchter vor der Reinigung aus und ziehen Sie den Netzstecker.
- Stellen Sie sicher, dass das Netzkabel nicht durch harte Gegenstände gedrückt wurde.
- Ziehen Sie den Netzstecker niemals heraus, indem Sie am Kabel ziehen.
- Verwenden Sie keine Heizgeräte in der Nähe des Luftentfeuchters.
- Ziehen Sie den Netzstecker nicht mit nassen Händen heraus.

DE

- Bitte verwenden Sie ein geerdetes Netzkabel und stellen Sie sicher, dass es gut angeschlossen und unbeschädigt ist.
- Stellen Sie den Luftentfeuchter nicht unter tropfende Gegenstände.
- Dieser Luftentfeuchter verfügt über eine Memory-Funktion.
- Wenn das Gerät unbeaufsichtigt ist, schalten Sie es bitte aus und ziehen Sie den Netzstecker oder trennen Sie es von der Stromversorgung.
- Reparieren oder demontieren Sie das Gerät nicht selbst.
- Wenn ein außergewöhnlicher Zustand auftritt (z. B. Brandgeruch), trennen Sie sofort die Stromversorgung und wenden Sie sich an Ihren Händler.
- Verwenden Sie für das Gerät kein Verlängerungskabel.
- Das Gerät muss in Übereinstimmung mit den geltenden Installationsvorschriften installiert werden.
- Dieses Gerät ist nur für die Verwendung in Innenräumen und die nicht-industrielle, nicht-gewerbliche Verwendung im Haushalt gedacht.
- Wenn das Stromkabel beschädigt ist, muss

es vom Hersteller, seiner Servicestelle oder ähnlich qualifizierten Personen ersetzt werden, um eine Gefährdung auszuschließen.



R290

Dieses Gerät enthält das leicht entzündliche Gas R290.

KÄLTEMITTEL

- Damit das Klimagerät ordnungsgemäß funktioniert, läuft ein spezielles Kältemittel im System um. Das verwendete Kältemittel ist das Fluorid R290, das speziell gereinigt wurde.
- Das Kältemittel ist entzündlich und geruchlos. Darüber hinaus kann es unter bestimmten Bedingungen zu einer Explosion kommen.
- Im Vergleich zu herkömmlichen Kältemitteln ist R290 ein nicht umweltschädliches Kältemittel, das die Ozonschicht nicht schädigt. Auch der Einfluss auf den Treibhauseffekt ist geringer. R290 weist sehr gute thermodynamische Eigenschaften auf, die zu einer hohen Energieeffizienz führen. Die Geräte können daher mit einer geringeren Menge befüllt werden.
- Die Füllmenge von R290 entnehmen Sie bitte dem Typenschild.

DE

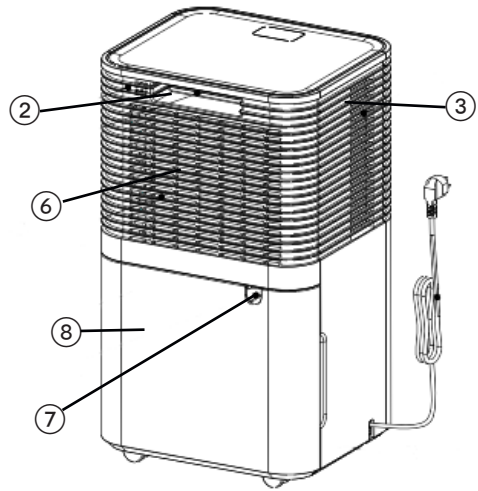
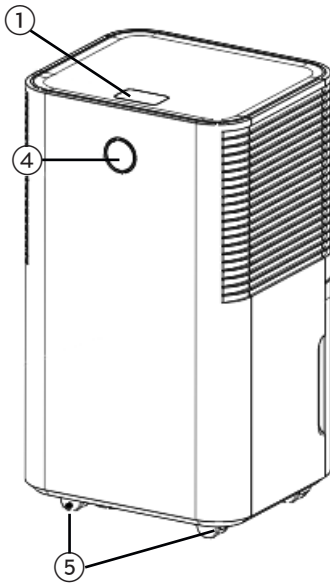
WARNUNG

- Das Gerät ist mit brennbarem Kältemittel R290 gefüllt.
- Das Gerät muss in einem Raum mit einer Grundfläche

von mindestens 4 m² aufgestellt, betrieben und gelagert werden.

- Das Gerät muss in einem Raum ohne im Dauerbetrieb befindlichen Zündquellen aufbewahrt werden (z. B. offene Flammen, Gasgeräte oder Elektroheizgeräte).
- Das Gerät muss in einem gut belüfteten Bereich aufbewahrt werden, in dem die Raumgröße dem für den Betrieb spezifizierten Raumbereich entspricht.
- Das Gerät ist so aufzubewahren, dass mechanische Beschädigungen vermieden werden.
- An ein Gerät angeschlossene Kanäle dürfen keine Zündquelle enthalten.
- Halten Sie alle erforderlichen Belüftungsöffnungen frei von Hindernissen.
- Nicht durchstechen oder anzünden.
- Beachten Sie, dass Kältemittel geruchlos sein können.
- Verwenden Sie ausschließlich die vom Hersteller empfohlenen Mittel zur Beschleunigung des Abtauvorgangs oder zur Reinigung.
- Die Wartung darf nur gemäß den Empfehlungen des Herstellers durchgeführt werden.
- Sollte eine Reparatur erforderlich sein, wenden Sie sich an eine autorisierte Werkstatt in Ihrer Nähe.
- Reparaturen durch unqualifiziertes Personal können gefährlich sein.
- Die Einhaltung der geltenden Gasvorschriften ist zu beachten.

PRODUKTÜBERSICHT



1. Bedienfeld
2. Griff
3. Luftauslass
4. Anzeigeleuchten
5. Laufrollen
6. Filter

7. Ablauf für Dauerdrainage
8. Wasserbehälter

DE

BEDIENFELD



LOCK



SPEED



TIMER



HUM SET



MODE



POWER

POWER: Taste zum Ein- oder Ausschalten des Geräts.

MODE: Taste zur Auswahl zwischen Automatik-, Wäschetrocknungs- oder Energiesparmodus.

HUM SET: Taste zur Einstellung von Feuchtigkeitsstufe (30–80 %) und Timer (1–24 Std.)

TIMER: Taste zum Einstellen einer Uhrzeit für das automatische Starten oder Stoppen des Geräts. Drücken Sie die Timer-Taste, um die Timer-Funktion von 01–24 Std. einzustellen.

FAN: Taste zur Auswahl zwischen hoher oder niedriger Lüfterdrehzahl.

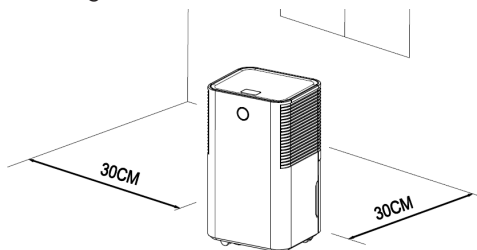
LOCK: Taste lang drücken, um die Sperre ein- oder auszuschalten.

Display-Anzeige: Anzeige von Feuchtigkeitswert, Timereinstellung oder Temperatur.

BEDIENUNG

AUFSTELLUNGORT

1. Stellen Sie das Gerät auf eine feste, ebene Fläche in einem Bereich mit mindestens 30 cm Freiraum um es herum auf, um eine gute Luftzirkulation zu ermöglichen.
2. Stellen Sie das Gerät niemals an Orten auf, an denen es folgenden Bedingungen ausgesetzt sein könnte:
 - Wärmequellen wie Heizkörper, Heizregister, Öfen oder andere wärmeerzeugende Produkte.
 - Bereiche, in denen Öl oder Wasser verspritzt werden kann.
 - Direkte Sonneneinstrahlung.
 - Mechanische Vibrationen oder Stöße.
 - Übermäßiger Staub.
 - Fehlende Belüftung, wie in einem Schrank oder Bücherregal.



Stellen Sie das Gerät nur in Räumen mit mindestens 4 m² Fläche auf. Stellen Sie das Gerät nicht an einem Ort auf, an dem entflammendes Gas austreten kann.

Betreiben Sie das Gerät bei Temperaturen zwischen 5 °C und 35 °C.

Nicht im Freien verwenden. Das Gerät ist nur für den Einsatz in Innenräumen bestimmt.

DE

Betreiben Sie es nicht in der Nähe von Wänden, Vorhängen oder anderen Gegenständen, die den Lufteinlass und -auslass blockieren könnten.

Halten Sie den Lufteinlass und -auslass frei von Hindernissen.

Wenn das Gerät um mehr als 45° gekippt war, stellen Sie es aufrecht und warten Sie mindestens 24 Stunden, bevor Sie es in Betrieb nehmen.

Schließen Sie alle Türen, Fenster und sonstigen Außenöffnungen des Raums, um die Geräteleistung zu verbessern.

Vermeiden Sie direkte Sonneneinstrahlung.

Es ist normal, dass sich der Luftauslass bei Dauerbetrieb an heißen Tagen warm anfühlt.

Leeren Sie den Wasserbehälter, bevor Sie das Gerät bewegen.

Achten Sie darauf, dass der Wasserbehälter richtig positioniert ist, da er sonst nicht richtig funktioniert.

Das Gerät startet in dem Modus, der beim letzten Gebrauch des Geräts eingestellt war.

Das Gerät beginnt mit der Entfeuchtung, wenn die Raumfeuchtigkeit 3 % höher als die gewählte Luftfeuchtigkeit ist.

Es gibt eine Schutzverzögerung des Kompressors von drei Minuten. Warten Sie drei Minuten, bis der Entfeuchter mit der Entfeuchtung fortfährt.

FUNKTIONEN

POWER-TASTE

Drücken Sie diese Taste, um das Gerät einzuschalten. Die Anzeigeleuchten leuchten auf, die voreingestellte Lüfterdrehzahl ist hoch und die voreingestellte Luftfeuchtigkeit beträgt 60 %.

Auch zum Ausschalten verwenden Sie die Power-Taste. Die Anzeigeleuchten erlöschen, der Kompressor hält sofort an und der Lüfter schaltet sich nach einer Verzögerung von 30 Sekunden ab.

MODE-TASTE

Drücken Sie diese Taste, um zwischen Automatik-, Wäsche- und Energiesparmodus zu wechseln.

AUTO

Wenn die Umgebungsluftfeuchtigkeit gleich oder höher als die von Ihnen gewählte Luftfeuchtigkeit +3 % ist, beginnt der Lüfter und nach 3 Sekunden der Kompressor zu arbeiten.

Wenn die Umgebungsluftfeuchtigkeit gleich oder niedriger als die von Ihnen gewählte Luftfeuchtigkeit -3 % ist, stoppt der Kompressor und nach einer Verzögerung von 30 Sekunden der Lüfter.

Drücken Sie die Taste HUM SET, um die Feuchtigkeitsstufe im Automatikmodus einzustellen.

WÄSCHETROCKNUNGSMODUS

Der Kompressor arbeitet ohne Regelung durch Feuchtigkeit weiter; die Lüfterdrehzahl kann eingestellt werden, die Zielfeuchtigkeit jedoch nicht.

ENERGIESPARMODUS

Nach Auswahl des Energiesparmodus leuchten die Tasten auf. Nach 10 Sekunden ohne Be-

trieb erlöschen alle Anzeigeleuchten allmählich und die Lüfterdrehzahl schaltet auf niedrig. Drücken Sie eine beliebige Taste, um das Display und die Anzeigeleuchten zu aktivieren.

TIMER-TASTE

Drücken Sie die Timer-Taste, um die Timer-Funktion von 01–24 Std. einzustellen.

Das Display blinkt und zeigt die Stunde an. Wenn Sie die Taste HUM SET einmal drücken, erhöht sich der Wert um 1 Stunde.

Stellen Sie die Zeit auf 00 ein, um die Timer-Funktion abzubrechen.

DREHZAHL

Es gibt zwei Lüfterdrehzahlen: hoch und niedrig. Drücken Sie die Fan-Taste, um zwischen den beiden Drehzahlen zu wechseln.

SPERRE

Drücken Sie die Lock-Taste lange, um die Sperrfunktion ein- oder auszuschalten.

WASSERBEHÄLTERANZEIGE

Wenn der Behälter voll ist, wird der Alarm ausgelöst und die Wasserbehälteranzeige wird rot.

Berühren Sie eine beliebige Taste, um den Alarm auszuschalten. Kompressor und Lüfter halten an und die Funktion wird unterbrochen, bis der Behälter geleert und wieder in die richtige Position gebracht wurde.

ENTLEERUNG

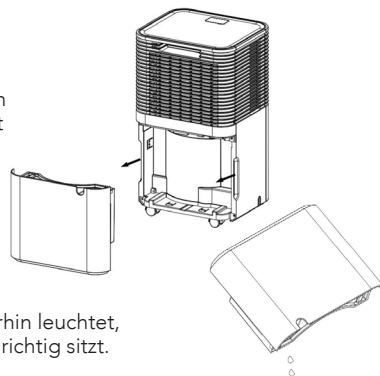
Es gibt zwei Möglichkeiten, Wasser aus dem Gerät zu entleeren.

1. Manuelle Entleerung: Leeren Sie den Wasserbehälter manuell, wenn er voll ist.
2. Dauerdrainage: Schließen Sie einen Schlauch an und lassen Sie das Wasser durch Schwerkraft ab.

MANUELLE ENTLEERUNG

Wenn der Wasserbehälter voll ist, hält das Gerät an. Stellen Sie den Wasserbehälter nach dem Entleeren wieder korrekt auf das Gerät und das Gerät läuft wieder an.

- Wenn der Wasserbehälter voll ist, ertönt ein Ton und die Anzeige „Wasserbehälter voll“ leuchtet auf.
- Schieben Sie den Wasserbehälter vorsichtig heraus und entleeren Sie ihn.
- Reinigen Sie den Wasserbehälter innen und außen.
- Stellen Sie den Wasserbehälter ins Gerät.
- Wenn die Anzeige „Wasserbehälter voll“ weiterhin leuchtet, überprüfen Sie, ob der Schaumstoffschwimmer richtig sitzt.

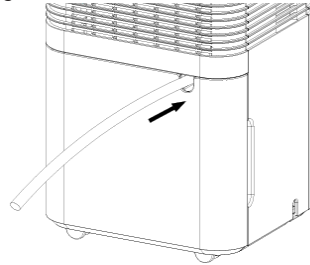


DE

DAUERDRAINAGE

Schließen Sie für eine Dauerdrainage den Ablaufschlauch an das Gerät an.

- Stellen Sie das Gerät auf eine stabile und waagerechte Fläche.
- Schalten Sie das Gerät aus, bevor Sie den Schlauch anschließen.
- Verbinden Sie den Schlauch sicher und ordnungsgemäß mit dem Gerät und achten Sie darauf, dass der Schlauch nicht geknickt oder verdreht ist, da dies den Wasserfluss unterbrechen kann.
- Halten Sie den Schlauchauslass über einem Abfluss oder Eimer und sorgen Sie dafür, dass das Wasser ungehindert aus dem Gerät fließen kann.
- Tauchen Sie das Schlauchende nicht ins Wasser ein, da es sonst zu einer „Luftsperrre“ im Schlauch kommen kann.

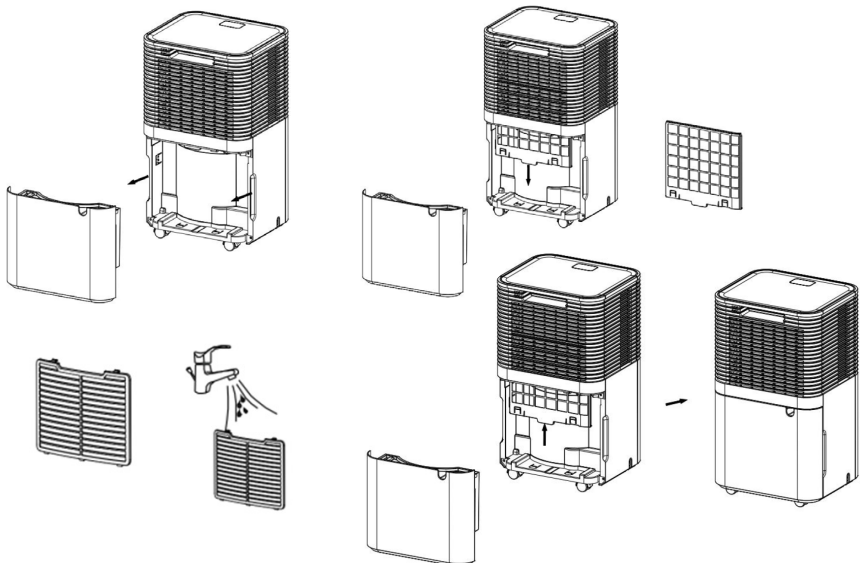


WARTUNG

Reinigen des Filters

Der Filter fängt Staub auf, der den Luftstrom einschränkt. Ein eingeschränkter Luftstrom verringert die Effizienz des Geräts. Wenn er blockiert wird, können Schäden am Gerät verursacht werden.

- Nehmen Sie die Filter heraus.
- Spülen Sie den Filter unter fließendem warmem Wasser oder entfernen Sie den Staub mit einem Staubsauger.
- Achten Sie nach der Reinigung darauf, dass der Filter trocken ist, bevor Sie ihn wieder



DE

in das Gerät einsetzen.

AUFBEWAHRUNG

Wenn Sie das Gerät längere Zeit (mehr als 3 Wochen) nicht verwenden, reinigen und trocknen Sie es vollständig.

1. Schalten Sie das Gerät aus und ziehen Sie den Netzstecker.
2. Entleeren Sie den Wasserbehälter und lassen Sie ihn trocknen. Wenn das Gerät an den Ablassschlauch angeschlossen ist, überprüfen Sie, ob er leer ist, trennen Sie ihn und vergewissern Sie sich, dass er trocken ist.
3. Nehmen Sie den Filter heraus und reinigen Sie ihn mit warmem Wasser. Lassen Sie ihn trocknen, bevor Sie ihn wieder einsetzen.
4. Das Gerät muss aufrecht gelagert werden.
5. Bewahren Sie es an einem belüfteten und trockenen Ort in Innenräumen auf, die frei von korrosiven Gasen sind.

Der Verdampfer im Inneren des Geräts muss vor der Lagerung vollständig trocken sein. Dadurch lassen sich Schäden an Komponenten und Schimmelbildung vermeiden. Ziehen Sie den Stecker des Geräts aus der Steckdose und stellen Sie es an einen trockenen und offenen Ort, um es zu trocknen. Eine andere Möglichkeit zum Trocknen besteht darin, den Feuchtigkeitspunkt um mehr als 5 % höher als die Umgebungsfeuchte einzustellen, um den Lüfter zu zwingen, den Verdampfer für zwei Stunden zu trocknen.

FEHLERBEHEBUNG

Betriebstemperatur 5 °C – 35 °C.

Wenn die Temperatur unter oder über der Betriebstemperatur liegt, stoppt das Gerät.

Wenn die Temperatur zwischen 5 und 16 Grad liegt, wird der Kompressor automatisch in Intervallen abgetaut. Während der Abtauung stoppt der Kompressor und der Lüfter läuft weiter.

Problem	Mögliche Ursache	Lösung
Funktioniert nicht	Kein Netzteil	Das Gerät an eine funktionierende Steckdose anschließen und anschalten.
	Anzeige für vollen Wasserbehälter blinkt	Wasserbehälter leeren und wieder korrekt ins Gerät einsetzen.
	Raumtemperatur ist unter 5 °C oder über 35 °C	Der zum Schutz des Geräts gedachte Selbstschutz ist aktiviert. Kann bei diesen Temperaturen nicht arbeiten.

DE

Funktioniert schlecht	Ist der Filter verstopft?	Anweisungen zur Filterreinigung befolgen
	Ist der Einlass- oder Auslasskanal verstopft?	Verstopfung aus dem Einlass- oder Auslasskanal entfernen.
Kein Lufteinlass	Ist der Filter verstopft?	Die Filter reinigen
Laute Geräusche aus dem Gerät während des Betriebs	Steht das Gerät auf einer ebenen Fläche?	Das Gerät auf eine stabile und waagerechte Fläche stellen
	Ist der Filter verstopft?	Die Filter reinigen
E2	Problem mit dem Feuchtigkeitssensor	Kundendienst rufen
LO	Umgebungsfeuchtigkeit unter 20 %	Der Luftentfeuchter schaltet sich zum Selbstschutz ab
HI	Umgebungsfeuchtigkeit über 90 %	
CL	Tief temperaturschutz, die Temperatur liegt unter 5 °C	
CH	Hoch temperaturschutz, die Temperatur liegt über 35 °C	

DE

DE



GARANTIE

Wilfa gewährt auf dieses Produkt 5 Jahre Garantie ab Kaufdatum. Die Garantie deckt Produktionsfehler oder Mängel ab, die während der Garantiezeit auftreten. Ihr Kaufbeleg dient als Nachweis gegenüber dem Händler, wenn Sie Ihre Garantie in Anspruch nehmen.

Die Garantie gilt nur für Produkte, die für Privathaushalte gekauft und dort verwendet werden. Die Garantie gilt nicht, wenn das Produkt gewerblich verwendet wird. Die Garantie gilt nicht bei unsachgemäßer oder fahrlässiger Verwendung, Nichtbefolgung der Anleitungen von Wilfa oder falls das Gerät modifiziert oder eine nicht-autorisierte Reparatur daran vorgenommen wurde. Die Garantie gilt auch nicht für normalen Verschleiß und Abnutzung des Produkts, fehlerhafte Verwendung, mangelhafte Pflege, Verwendung einer falschen elektrischen Spannung oder:

DE

- Überlastung des Produkts
- Teile, die normal abgenutzt sind
- Teile, bei denen ein regelmäßiger Austausch zu erwarten ist (z. B. Filter, Batterie usw.)

Die Gebrauchsanweisung finden Sie auch auf unserer Website wilfa.com

TECHNISCHE DATEN

220V-240V~50Hz 200W
50g R290

SUPPORT UND ERSATZTEILE

Support erhalten Sie auf **wilfa.com** und auf unserer Kundenservice-/Supportseite. Dort finden Sie Antworten auf häufig gestellte Fragen, Ersatzteile, Tipps und Tricks sowie alle unsere Kontaktdaten.

RECYCLINGFÄHIGKEIT



Diese Kennzeichnung weist darauf hin, dass das Produkt in der EU nicht über den Hausmüll entsorgt werden darf. Um mögliche Schäden für die Umwelt oder die menschliche Gesundheit durch unkontrollierte Abfallentsorgung zu vermeiden, recyceln Sie das Gerät verantwortungsvoll. Sie fördern so die nachhaltige Wiederverwendung von Materialressourcen. Um Ihr Altgerät zurückzugeben, nutzen Sie bitte eines der Rückgabe- und Sammelsysteme oder wenden Sie sich an den Händler, bei dem das Produkt gekauft wurde. Dort kann das Produkt kostenlos für ein umweltfreundliches Recycling zurückgenommen werden.

DE



BEYOND EXPECTATIONS

