



POWER FUEL

HIGH-POWER BLENDER WITH PROGRADE MOTOR
BPF-1200S

EN · Instruction manual

NO · Bruksanvisning

SE · Bruksanvisning

DK · Betjeningsvejledning

FI · Käyttöohje

DE · Anleitung

NL · Instructies

PL · Instrukcje

FR · Instructions

IT · Manuale di istruzioni

ES · Manual de instrucciones

RU · Руководство по
эксплуатации



READ ALL INSTRUCTIONS BEFORE USE

EN

LES ALLE ANVISNINGER FØR BRUK

NO

LÄS IGENOM ALLA INSTRUKTIONER INNAN PRODUKTEN ANVÄNDS

SE

LÆS ALLE VEJLEDNINGER INDEN BRUG

DK

LUE OHJEET HUOLELLISESTI ENNEN KÄYTTÖÄ

FI

LESEN SIE DIE ANLEITUNG VOR DEM GEBRAUCH GRÜNDLICH DURCH

DE

LEES VÓÓR GEBRUIK ALLE INSTRUCTIES

NL

PRZED UŻYCIEM ZAPOZNAĆ SIĘ ZE WSZYSTKIMI ZALECENIAMI

PL

PRENEZ CONNAISSANCE DE TOUTES LES INSTRUCTIONS AVANT UTILISATION

FR

LEGGERE TUTTE LE ISTRUZIONI PRIMA DELL'USO

IT

LEA TODAS LAS INSTRUCCIONES ANTES DE USAR

ES

ПЕРЕД ИСПОЛЬЗОВАНИЕМ ПРОЧТИТЕ ВСЕ ИНСТРУКЦИИ

RU

EN

CONTENTS

4	IMPORTANT SAFETY INSTRUCTIONS
8	PRODUCT OVERVIEW
10	CONTROL PANEL
10	HOW TO USE
12	CLEANING AND STORAGE
12	OPERATING NOTES
13	VEGETABLE SOUP
14	GUARANTEE
15	PRODUCT SPECIFICATIONS
15	SUPPORT AND SPARE PARTS
15	RECYCLABILITY

EN

IMPORTANT SAFETY INSTRUCTIONS

- Please read this manual carefully before operation and save it for future reference.
- Before plugging in the appliance, check that the electrical rating shown on the rating plate corresponds with your household electricity supply.
- Never immerse the base unit of the appliance in water or other liquid, or rinse it under the tap, in order to avoid risk of short-circuit or electric shock. If there is water inside the base unit, please contact an authorized service agent.
- Never put the power cord or plug into water cleaning. Do not wipe the plug prongs with a damp cloth, or insert the plug with wet hands.
- Plug the appliance into the wall socket firmly and securely. A loose plug could lead to overheating or electric shock.
- If the power cord is damaged, it must be replaced by the manufacturer or its service agents or similarly qualified electricians in order to avoid a hazard.
- Never leave the appliance unattended.

- Keep hands and utensils out of the container while the motor is running to prevent the possibility of severe injury and/or damage.
- Do not run the appliance without loading the blender jug.
- To prevent spillage, do not fill liquid in the blender jug above the MAX line.
- Do not expose the appliance to heat sources such as a radiator or sun shining through a window.
- To ensure good ventilation, do not place a cloth underneath the appliance.
- For indoor use only. Do not use outdoors or for commercial purposes.
- Always operate with the lid in place. When processing hot beverages, properly secure the lid and measuring cup to avoid scalding due to spraying of hot liquids.
- Appliances may be used by persons with reduced physical, sensory or mental capabilities or lack of experience and knowledge, provided they are supervised or have been instructed in the safe use of the appliance and understand the hazards involved.

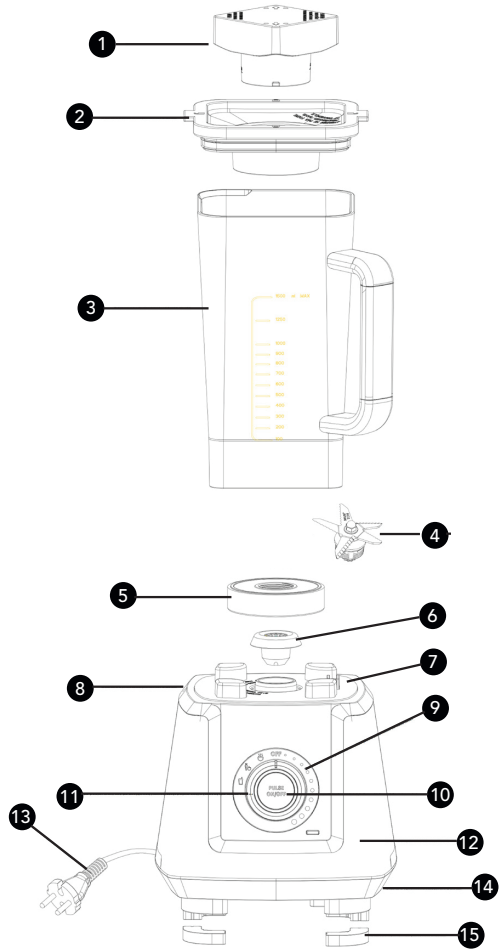
EN

- Children should be supervised to ensure that they do not play with the appliance.
- This appliance must not be used by children. Keep the appliance and its cord out of reach of children.
- Switch off the appliance and disconnect from the power supply before changing accessories or working near parts that move in use.
- Unplug the power cord from the wall socket when appliance is not in use, before assembling or removing parts, and before cleaning.
- If the motor has overheated, the temperature monitoring system will trigger and the motor will stop. Switch off and unplug the appliance and let the motor cool down. The motor temperature monitoring system will reset after the blender has been unplugged from the wall socket for 45 minutes. After this time, the blender can be used again.
- The blade is very sharp, so use caution when handling the blade. Do not attempt to disassemble the blade assembly or touch any rotating parts.
- Any servicing should be performed by an authorized service representative. Do not attempt to disassemble, repair or modify the appliance.

- Always disconnect the appliance from the power supply if it is to be left unattended and before assembling, disassembling or cleaning.

EN

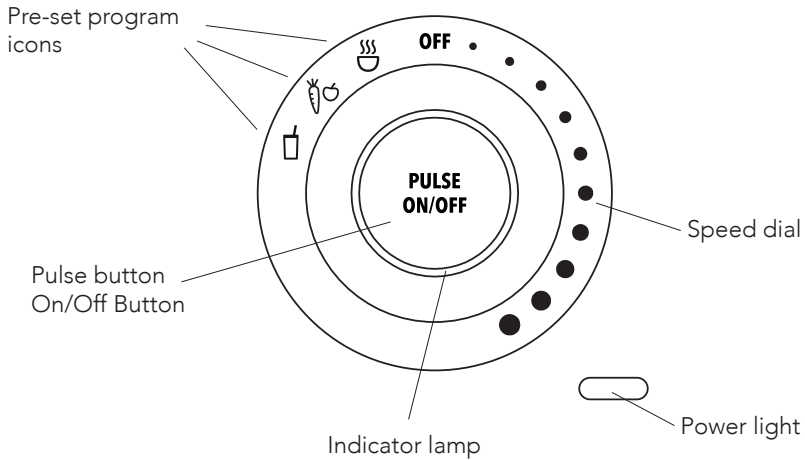
PRODUCT OVERVIEW



- | | | | |
|----|------------------|-----|-------------------------|
| 1. | Measuring cup | 9. | Circular trim |
| 2. | Lid | 10. | Pulse/start/stop button |
| 3. | Blender jug | 11. | Speed Dial |
| 4. | Blade assembly | 12. | Motor unit |
| 5. | Blade Mount | 13. | Power cord |
| 6. | Drive Gear | 14. | Bottom cover |
| 7. | Blender Jug Seat | 15. | Anti-skid rubber foot |
| 8. | Top Cover | | |

EN

CONTROL PANEL



HOW TO USE

Check that the electrical rating shown on the rating plate corresponds with your household electricity supply.

- **Stand-by mode and energy saving mode:** Plug in the blender and set the blender jug on the base unit. The power light and indicator lamp will light up in red; the blender is now in stand-by mode.

If the blender is left idle for 3 minutes the blender will go into energy saving mode; the power light will remain lit with a red light, while the indicator lamp will go out. (From energy saving mode, the unit will go into stand-by mode when any key is pressed)

- **ON/OFF button:** This button is the ON/OFF key for the pre-set programs. A selected pre-set program function will only be activated by pressing the ON/OFF button. Pressing the ON/OFF button again will stop the unit.
- **PULSE button:** This is the manual button for PULSE operation.




In stand-by mode, with the speed dial pointing to the OFF position, hold the PULSE button down and the motor will increase to full speed in PULSE mode, and the indicator lamp will show a white light. When you release the PULSE button, the blender will return to Stand-by Mode.

- **Speed Settings:** This blender has 10 continuously variable speed settings. In stand-by mode, turn the speed dial clockwise from the OFF position, and the blender will operate at the corresponding speed. By continuing to turn the speed dial clockwise, the speed will gradually increase, finally achieving maximum speed. During operation, the work indicator lamp will turn white.

The blender will automatically turn off after 10 minutes. To reset the blender for the next operation, turn the speed dial back to the OFF position.

- **Preset Program Key:** To use the preset programs, the blender should first be in Stand-By Mode, then select and rotate the Speed Dial from the OFF position to the desired preset program setting and when finished press the ON/OFF button.

To stop the blender during operation of one of the programs, press the ON/OFF button to stop the blender. After operation of the preset program, the blender reverts to stand-by mode.

Icon	Function	Operation cycle
	Soup	Increases to Speed 7 in 7 sec, then increases to Speed H in 3 sec, and keeps at this speed until finish. Total duration is 8 minutes. Every start-up is soft-start.
	Vegetables	Speed H 30s, stop 2s; Speed 6 10s, stop 2s; Speed H 60s, stop 2s; Speed 6 10s, finish. Total operation is 1m 56s. Every start-up is soft-start.
	Smoothie	Soft start to Speed H for 8s, and stop for 2s. Repeats the cycle until the total operation time is 30s. Every start-up is soft-start.

LID, MEASURING CUP

- Insert the measuring cup in the lid by aligning the two tabs in the slots on the lid and twisting to lock. Then push the lid onto the blender jug to close it. To open the lid, pull the flap up.

CLEANING AND STORAGE

- Unplug the appliance from the wall socket.
- Do not immerse the base unit or power cord in water or other liquids.
- Clean surface of the blender jug with a soft cloth or sponge. The measuring cup can be disassembled for cleaning.
- The blender jug can be rinsed with water. It can also be cleaned by pouring 2 cups of water into the blender jug, closing the lid and then operating the blender in Pulse Mode. Then pour out the water and dry with soft cloth.
- After cleaning, place the blender jug on its side or upside down (Note 1) to dry. Do not immerse the whole jug in water.
- Clean the base unit with a soft cloth. NEVER immerse it in water or other liquid.

Note: Tamper and blender jug shall not be washed in a dishwasher.

Note: If you place the blender jug in upside down position, please remove residual water with a dry cloth. Do not leave it close to the sink or basin in order to avoid water spraying onto the bottom part of the jug. This may cause the bearing to rust, thus affecting the performance of the blender

OPERATING NOTES

- The blender cannot be operated if:
 - The jug is not firmly positioned on the base.
 - The speed dial is turned to variable speed before the jug is positioned firmly on the base.
 - The jug is removed during operation and put back again.
- You need to turn the speed dial back to the “OFF” (OFF) position and make sure the jug is positioned firmly on the base. This will reset the blender.
- If the motor is forced to slow down because of food that is too big in size or if there is not enough liquid in the jug, and if it operates for a long period, the temperature monitoring system will trigger and stop the operation of the motor. The red LED will blink at a rate of 2 Hz. In this case, unplug the blender and leave it in a place with good ventilation to cool down the motor temperature for 45 minutes. The system will reset and the blender can be used again.
- During operation, close the lid tightly to avoid scalding due to spraying of hot liquids.
- Keep hands and utensils out of the container while the motor is running to

prevent the possibility of severe injury and/or damage.

- When making hot beverages such as soybean milk, or making hot soup, please check that the lid is secured tightly to the jug to prevent it from falling off. It is advisable to start operation at a low speed setting and then increase the speed gradually, or use the PULSE mode.
- When making sauces (e.g. almond sauce, jam and sesame sauce) or stuffings or processing nuts, put in between 2 and 3 cups of ingredients. The amount should neither be too large or too small. Keep the blending time below 2 minutes to prevent any burnt smell due to overheating. Too large a quantity of ingredients may lead to overloading and overheating of the motor. In this case, wait until the motor temperature falls before operating again.
- Add liquids and soft foods before putting in hard food or ice cubes.
- When the operation finishes, wait until the blade assembly comes to a complete stop before removing the blender jug. Otherwise, the drive gear may be damaged.
- If you notice a scorched smell from the blender, stop the operation immediately. It may be caused by abrasion of the rubber cushion base if this is not properly assembled.
- When blending thick and sticky food at high speed, please start the operation at low speed. If there is still no rotation, disconnect the power and stir the contents of the blender jug using a rubber stirrer to drive out air trapped in the food. Then close the lid and switch on to resume operation.
- Do not operate for more than 10 minutes at a time.

VEGETABLE SOUP

Serves 3

- ½ avocado
- 1 carrot
- 1 celery stick
- ½ tomato
- ½ pepper
- ¼ onion
- ½ garlic clove
- 350 ml water with meat stock
- 100 ml cream
- Salt and pepper

Boil the water using a kettle or in a saucepan. Dissolve the stock cube in the hot water. Now pour the water into the blender jug. Add all the vegetables and cream and blend on medium speed for 2-3 minutes.



GUARANTEE

Wilfa issues a 5 year guarantee on this product from the day of purchase is done. The guarantee covers production failure or defects that arise during the guarantee period. Your purchase receipt works as proof towards retailer if claiming your guarantee.

The guarantee is valid only for products that are bought and used in private households. The guarantee is not valid if the product is used commercially. The guarantee is not valid if the product is misused, used by negligence, if not following instructions given by Wilfa, if modified or if unauthorized reparation is done. The guarantee is also not valid for normal wear of the product, misuse, lack of maintenance, use of wrong electrical voltage or:

- Not descaled according to instruction manual
- Overloading of product
- Damage on glass
- Coating
- Parts which are normally worn down
- Parts you can expect being replaced regularly (e.g. filter, battery etc.)

PRODUCT SPECIFICATIONS

220V~240V~50Hz, 1200 W

SUPPORT AND SPARE PARTS

For support please visit us at **wilfa.com**, and see our customer service/support page. Here you will find frequently asked questions, spare parts, tips and tricks and all our contact information.

RECYCLABILITY



This marking indicates that this product should not be disposed with other household wastes throughout the EU. To prevent possible harm to the environment or human health from uncontrolled waste disposal, recycle it responsibly to promote the sustainable reuse of material resources. To return your used device, please use the return and collection systems or contact the retailer where the product was purchased. They can take this product for environmentally safe recycling free of charge.

NO

INNHold

- 18 VIKTIGE SIKKERHETSANVISNINGER
- 22 PRODUKTOVERSIKT
- 23 SLIK BRUKER DU STAPPEREN INKL. PB2B-P1200
- 24 KONTROLLPANEL
- 24 SLIK BRUKER DU APPARATET
- 26 RENGJØRING OG LAGRING
- 26 NOTER OM BRUK
- 27 GRØNNSAKSSUPPE
- 28 GARANTI
- 29 PRODUKTSPEKIFIKASJONER
- 29 SUPPORT OG RESERVEDELER
- 29 GJENVINNING

NO

VIKTIGE SIKKERHETSANVISNINGER

- Før du setter i apparatet, må du kontrollere at den elektriske spenningen som er oppgitt på merkeplaten korresponderer med strømmettet.
- Ikke senk baseenheten til apparatet under vann eller annen veske. Den skal heller ikke skylles under vann fra springen. Dette for å unngå risikoen for kortslutning og elektrisk sjokk. Hvis det er vann inni baseenheten, må du ta kontakt med et autorisert verksted.
- Strømledningen må aldri plasseres i vann for rengjøring. Ikke tørk av pluggene til støpslet med en fuktig klut. Du må heller aldri sette den i kontakten med våte hender.
- Settapparatetsstøpselordentlig inn i stikkkontakten. Et løst støpsel kan føre til overoppvarming og elektrisk sjokk.
- Hvis strømledningen er skadet, må den byttes ut av produsenten, en servicetekniker eller lignende kvalifiserte personer for å unngå risiko.
- Forlat aldri apparatet uten tilsyn.
- Hold hender og verktøy borte fra beholderen mens motoren kjører, for å unngå fare for ulykke eller skade.

- Ikke kjør apparatet uten å sette på blender kannen.
- Ikke fyll væske lenger enn til MAX-linjen, så unngår du søl.
- Ikke utsett apparatet for varmekilder som radiator eller sol gjennom vinduet. For å sikre god ventilasjon, bør du ikke plassere tøy materiale under apparatet.
- Kun for innendørsbruk. Kan ikke brukes ute eller til kommersielle formål.
- Brukes kun med lokket på. Når du lager varme drikker, er det viktig at lokket og målekoppen sitter ordentlig fast, for å unngå spruting av kokvarm veske.
- Apparatet kan brukes av personer med nedsatte fysiske, sansemessige eller mentale evner eller mangel på erfaring og kunnskap, hvis de er under tilsyn av eller har fått anvisninger om sikker bruk av apparatet og er klar over farene forbundet med bruk.
- Barn må holdes under oppsyn for å unngå at de leker med apparatet.
- Apparatet skal ikke brukes av barn. Apparatet og dens ledning må oppbevares utenfor barns rekkevidde.

NO

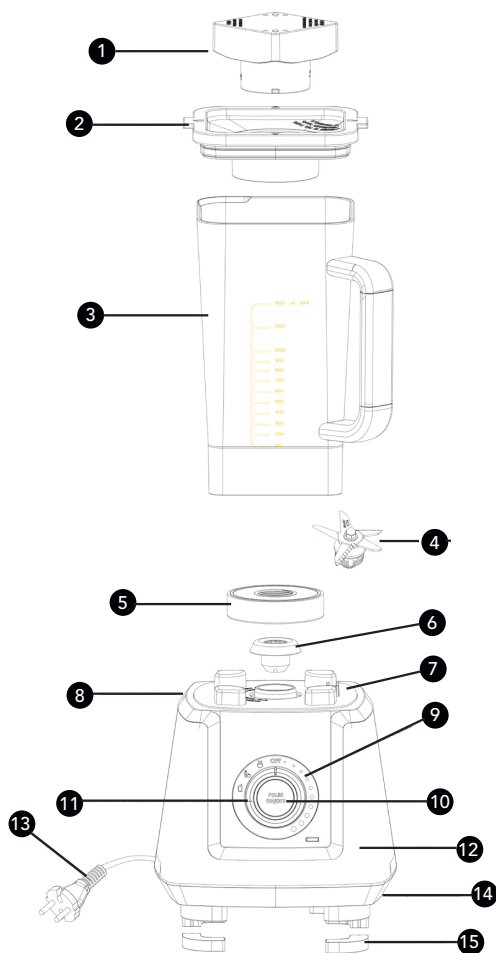
NO

- Slå av apparatet og trekk ut støpselet før du skifter tilbehør eller berører deler som beveger seg under bruk.
- Trekk støpslet ut av kontakten når apparatet ikke brukes, før deler skal monteres, demonteres og før det skal rengjøres.
- Hvis motoren er overopphetet, vil temperaturkontrollsystemet stanse motoren. Slå av og trekk støpslet ut av stikkontakten og la motoren kjøle av. Motorens temperaturkontrollsystem vil tilbakestilles etter at blenderen er koblet fra strømnettet i 45 minutter. Deretter kan blenderen brukes igjen.
- Bladene er meget skarpe, så behandle dem med forsiktighet. Ikke forsøk å demontere bladene eller berøre roterende deler.
- All service må gjøres av autoriserte verksteder. Prøv ikke å demontere, reparere eller endre apparatet.

NO

PRODUKTOVERSIKT

NO



- | | | | |
|----|-----------------------|-----|------------------------|
| 1. | Målebeger | 10. | Puls/start/stopp-knapp |
| 2. | Løkk | 11. | Hastighetskontroll |
| 3. | Blenderbeholder | 12. | Motorenhet |
| 4. | Knivenhet | 13. | Strømledning |
| 5. | Bladfeste | 14. | Nedre løkk |
| 6. | Drivhjul | 15. | Antiskli-føtter |
| 7. | Blenderbeholdersokkel | | |
| 8. | Toppløkk | | |
| 9. | Skiveramme | | |

NO

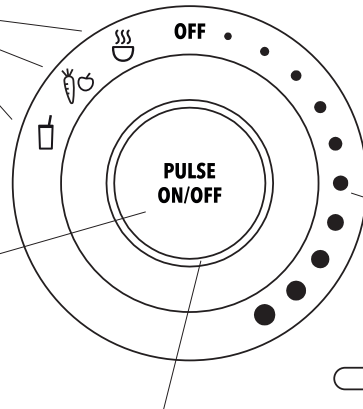
KONTROLLPANEL



Ikoner for forhåndsinnstilte programmer

Puls-knapp
På/av-knapp

Indikatorlampe



Hastighets-kontroll

Strømlys

SLIK BRUKER DU APPARATET

Kontrollere at den elektriske spenningen som er oppgitt på merkeplaten korresponderer med strømmettet.

- **Hvilemodus og energisparemodus:** Sett blenderens støpsel i stikkontakten og plasser blenderbeholderen på baseenheten. Strømlyset og indikatorlampen vil lyse rødt. Blenderen er nå i hvilemodus.

Hvis blenderen står uten å benyttes i tre minutter, vil den gå i energisparemodus, strømlyset vil fortsette å lyse rødt, men indikatorlampen vil slukke. (Fra energisparemodus vil enheten gå i hvilemodus når en av knappene trykkes på)




- **På/av-knapp:** Dette er på/av-knappen til de forhåndsinnstilte programmene. En valgt forhåndsinnstilt programfunksjon vil kun aktiveres ved å trykke på "ON/OFF"-knappen. Hvis du trykker på "ON/OFF"-knappen en gang til, vil enheten stoppe.
- **PULSE-knapp:** Dette er den manuelle knappen for puls funksjonen. I hvilemodus, med hastighetskontrollen pekende på «OFF» posisjon, holder du «PULSE» knappen nede og motoren vil øke til full hastighet og indikatorlampen vil vise et hvitt lys. Når du slipper «PULSE» knappen, går blenderen tilbake til hvilemodus.
- **Hastighetsinnstillinger:** Denne blenderen har 10 trinnløst variable hastighetsinnstillinger. I hvilemodus dreier du hastighetskontrollen med viserne fra "OFF"-posisjonen, og blenderen vil benytte korresponderende hastighet. Hvis du fortsetter å dreie hastighetskontrollen med viserne, vil

hastigheten øke gradvis og til slutt komme opp i høyeste hastighet. Under bruk, vil indikatorlampen lyse hvitt. Blenderen vil automatisk slå seg av etter 10 minutter. For å tilbake stille blenderen til bruk neste gang, dreier du hastighetskontrollen helt tilbake til "OFF"-posisjonen.

- **Forhåndsinnstilt programtast:** For å bruke de forhåndsinnstilte programmene, må blenderen først være i hvilemodus. Deretter velger du og dreier hastighetskontrollen fra "OFF"-posisjonen til ønsket forhåndsinnstilt programinnstilling og når du er ferdig trykker du på "ON/OFF"-knappen.

Når et av programmene er i gang, kan du stoppe blenderen ved å trykke på "ON/OFF"-knappen. Etter bruk av det forhåndsinnstilte programmet, går blenderen tilbake til hvilemodus.

NO

Ikon	Funksjon	Operasjonssyklus
	Suppe	Øk til hastighet 7 på 7 sekunder, deretter øker du til hastighet H på 3 sekunder, og holder denne hastigheten til det er ferdig. Samlet tid er 8 minutter. Du begynner alltid med myk start.
	Grønnsaker	Hastighet H 30 s, stopp 2 s Hastighet 6 10 s, stopp 2 s Hastighet H 60 s, stopp 2 s Hastighet 6 10 s, slutt Samlet tid er 1 m 56 s Du begynner alltid med myk start.
	Smoothie	Myk start til hastighet H i 8 s og stopp for 2 s Gjenta syklusen inntil samlet operasjonstid er 30 s Du begynner alltid med myk start.

LOKK OG MÅLEBEGER

- Sett målebegeret i lokket ved å rette inn de to tappene i åpningen på lokket og dreie lokket. Deretter skyves lokket opp på blenderbeholderen for å lukke den. Åpne lokket ved dra klaffen opp.

NO

RENGJØRING OG LAGRING

- Dra støpselet fra stikkontakten.
- Ikke senk baseenheten eller strømledningen i vann eller andre vesker.
- Rengjør overflaten av blenderbeholderen med en myk klut eller svamp. Målekoppen kan tas av for rengjøring.
- Blenderbeholderen kan skylles med vann. Den kan også rengjøres ved å helle 2 kopper vann inn i blenderbeholderen, lukke den og deretter bruke blenderen i pulsmodus. Deretter heller du vannet ut og tørker den med en myk klut.
- Når du er ferdig med å vaske blenderen, setter du den til tork opp ned (note 1). Ikke senk hele beholderen ned i vann.
- Rengjør baseenheten med en myk klut. Senk den ALDRI ned i vann eller annen veske.

Merk: Blenderbeholder og matstapper skal ikke vaskes i oppvaskmaskin.

Merk: Hvis du plasserer blenderen opp ned, må du fjerne restvannet med en tørr klut. Ikke la den stå i nærheten av vasken, så unngår du at det sprayer vann på nedre del av beholderen. Ellers kan slik vann føre til rust og dermed påvirke blenderens ytelse.

NOTER OM BRUK

- Blenderen kan ikke brukes hvis:
 - Beholderen ikke sitter ordentlig fast på basen.
 - Hastighetskontrollen er dreiet til variabel hastighet før beholderen er satt ordentlig fast på basen.
 - Beholderen fjernes under bruk og deretter settes tilbake igjen.
- Du må slå hastighetskontrollen til OFF-posisjon (av) og sørge for at beholderen er ordentlig fast på basen. Dette vil tilbakestille blenderen.
- Hvis motoren tvinges til å gå langsommere fordi maten har for store størrelser eller det ikke er nok veske i beholderen, og hvis den er på i en lang periode, kan temperaturkontrollsystemet stanse operasjonen. Et rødt LED vil blinke. I slike tilfeller, trekker du støpslet ut av stikkontakten og lar blenderen ligge godt ventilert for avkjøling av motoren i 45 minutter. Systemet vil tilbakestilles og blenderen kan brukes igjen.
- Under bruk, lukk lokket tett for å unngå risikoen for å bli skåldet av varmt vann.
- Hold hender og verktøy borte fra beholderen mens motoren kjører, for å unngå fare for ulykke eller skade.

- Når du lager varme drikker, som soyamelk eller varm suppe, bør du alltid først sjekke at lokket sitter ordentlig på beholderen for å unngå at det plutselig faller av. Det anbefales at du starter blenderen på lav hastighet og deretter øker gradvis eller bruker pulse-modus.
- Når du lager sauer, fyll eller knuser nøtter, bør du fylle i 2 til 3 kopper med ingrediensene. Mengden bør verken være for stor eller for liten. Hold blender-tiden under 2 minutt for å unngå brent lukt pga. overoppheting. For mange ingredienser kan føre til overbelastning eller overoppheting av motoren. I slike tilfeller må du vente til temperaturen i motoren faller før du fortsetter.
- Tilsett veske og myke ingredienser før du tilsetter harde ingredienser eller isterninger.
- Når du har blendet ferdig, venter du til bladene er stoppet helt opp før du fjerner blenderbeholderen. Ellers kan drivhjulene skades.
- Hvis blenderen lukter svidd, må du stoppe den med en gang. Det kan skyldes slitasje på gummiputen på basen, hvis den ikke er ordentlig satt på.
- Når du blander tykk og klistrede ingredienser på høy hastighet, må du begynne på lavere hastigheter. Hvis det likevel ikke oppstår noe rotasjon, koble fra strømmen og rør i innholdet i beholderen med en gummirører for å få ut luftbobler i maten. Deretter lukker du lokket og slå på for å gjenoppta operasjonen.
- Ikke la apparatet gå i mer enn 10 minutter av gangen.

NO

GRØNNSAKSSUPPE

3 porsjoner

- ½ avocado
- 1 gulrot
- 1 selleristang
- ½ tomat
- ½ paprika
- ¼ løk
- ½ hvitløk
- 3,5 dl vann med kjøttbuljong
- 1 dl fløte
- Salt og pepper

Kok opp vann med en vannkoker eller i en kjele. Løs opp buljongen i det varme vannet. Hell så vannet i kolben. Tilfør alle grønnsakene og fløten, og miks på medium hastighet i 2-3 minutter.

NO



GARANTI

Wilfa gir 5 års garanti på dette produktet fra kjøpsdatoen. Garantien dekker produksjonsfeil eller defekter som oppstår i garantiperioden. Kjøpskvitteringen fungerer som bevis overfor forhandleren ved eventuelle garantikrav.

Garantien er kun gyldig for produkter som er kjøpt og brukt i privathusholdning. Garantien gjelder ikke hvis produktet brukes kommersielt. Garantien er ikke gyldig hvis produktet misbrukes, ved uaktsom bruk eller hvis du ikke følger instruksjonene fra Wilfa, eller ved uautoriserte modifikasjoner og reparasjoner. Garantien dekker heller ikke normal bruksslitasje på produktet, misbruk, mangel på vedlikehold, bruk av feil elektrisk spenning eller:

- Ikke avkalket i henhold til bruksanvisningen
- Overbelastning av produktet
- Skade på glass
- Overflatebehandling
- Vanlige slitedeler
- Deler som må skiftes ut regelmessig (f.eks. filter, batteri osv.)

PRODUKTSPEKIFIKASJONER

220 V~240 V~50 Hz, 1200 W

SUPPORT OG RESERVEDELER

For support, besøk **oss på wilfa.no**, og se vår kundeservice/supportside. Her finner du vanlige spørsmål, reservedeler, tips og triks, samt all kontaktinformasjon.

NO

GJENVINNING



Dette merket betyr at produktet ikke må deponeres med vanlig husholdningsavfall i EØS-området. For å unngå skade på miljø og mennesker, er det viktig at dette produktet gjenvinnes. Lever produktet til en miljøstasjon eller ta kontakt med butikken der du kjøpte det. De kan ta seg av produktet for gjenvinning helt kostnadsfritt.

SE

SE

INNEHÅLL

32	VIKTIGA SÄKERHETSANVISNINGAR
36	PRODUKTÖVERSIKT
38	REGLAGE
38	ANVÄNDNING
40	RENGÖRING OCH FÖRVARING
40	DRIFTINFORMATION
41	GRÖNSAKSSOPPA
42	GARANTI
43	PRODUKTSPECIFIKATIONER
43	SUPPORT OCH RESERVDELAR
43	ÅTERVINNINGSBARHET

SE

VIKTIGA SÄKERHETSANVISNINGAR

- Innan du kopplar in apparaten ska du kontrollera att de elektriska specifikationer som finns på apparatens märkplåt överensstämmer med strömförsörjningen där du tänker använda apparaten.
- För att undvika elstöt eller kortslutning får apparatens basenhet aldrig sänkas ned i vatten eller annan vätska och aldrig sköljas under rinnande vatten. Kontakta en auktoriserad servicetekniker om det finns vatten inuti basenheten.
- Stoppa aldrig ner elkabeln eller stickkontakten i vatten för t.ex. rengöring. Torka aldrig av kontaktstiften på stickkontakten med en fuktig trasa och sätt aldrig i stickkontakten i vägguttaget med fuktiga händer.
- Anslut apparatens stickkontakt till vägguttaget så att den sitter stadigt och säkert. En löst sittande stickkontakt kan leda till överhettning eller elstöt.
- Om elkabeln är skadad ska den bytas ut av tillverkaren eller auktoriserad servicetekniker eller motsvarande kvalificerad elektriker för att undvika fara.
- Lämna aldrig apparaten oövervakad.

- Förebygg risken för allvarliga personskador och skador på apparaten genom att hålla fingrar och arbetsverktyg borta från bägaren när motorn är igång.
- Sätt aldrig igång apparaten utan att det finns något i mixerbägaren.
- För att undvika att innehåll spillt ut från mixerbägaren inte fyllas ovanför den markerade MAX-linjen.
- Utsätt inte apparaten för värmekällor som värmeelement eller solinstrålning. För att garantera bra ventilation får apparaten inte ställas på en duk eller liknande.
- Får endast användas inomhus. Apparaten är inte lämplig att använda utomhus eller för kommersiellt syfte.
- Locket ska alltid vara på när mixern är igång. Var noga med att sätta på locket med monterad mätkopp ordentligt när du tillagar varma vätskor för att undvika brännskador genom varm vätska som stänker ut ur mixerbägaren.
- Apparaten kan användas av personer med nedsatt fysisk, sensorisk eller mental förmåga eller som saknar kunskap om apparaten, under förutsättning att användningen sker under övervakning eller att personen instruerats i säker användning och förstår riskerna.

SE

SE

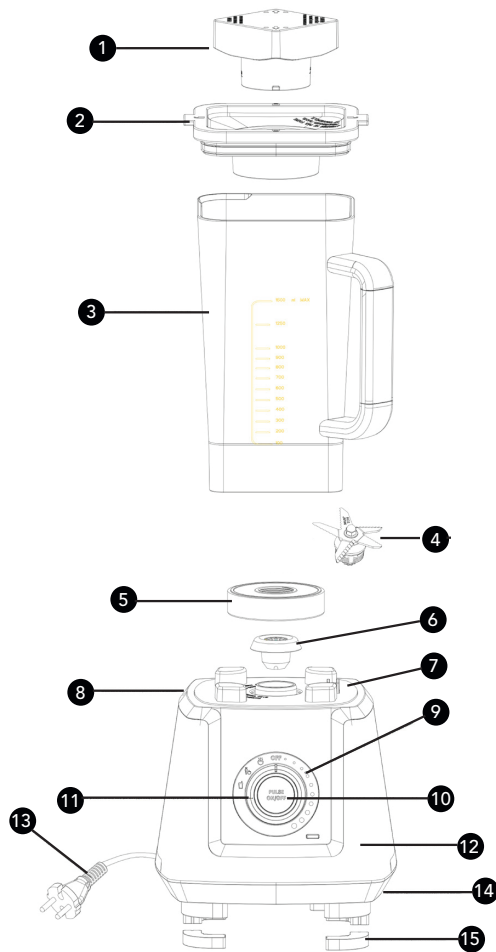
- Håll barn under uppsikt så att de inte leker med apparaten.
- Apparaten får inte användas av barn. Håll apparaten och elkabeln utom räckhåll för barn.
- Stäng av apparaten och koppla bort den från strömförsörjningen innan du byter tillbehör eller arbetar nära rörliga delar.
- Koppla bort apparaten från strömförsörjningen när den inte ska användas mer, innan du sätter på eller tar av tillbehör och delar samt före rengöring.
- Om motorn blir överhettad kommer temperaturövervakningssystemet att lösa ut och stänga av motorn. Stäng då av apparaten och koppla bort den från strömförsörjningen. Låt motorn svalna. Temperaturövervakningssystemet för motorn återställs 45 minuter efter att apparatkabeln dragits ut ur vägguttaget. Därefter kan mixern användas igen.
- Knivbladen är mycket vassa. Var försiktig vid hantering av knivbladen. Försök inte ta isär knivenheten och rör inte vid några roterande delar.
- All service ska utföras av en auktoriserad servicetekniker. Försök inte att ta isär, reparera eller ändra apparaten.

- Koppla alltid bort apparaten från strömförsörjningen om apparaten ska lämnas övervakad, samt före ihopsättning, isärtagning och rengöring.

SE

PRODUKTÖVERSIKT

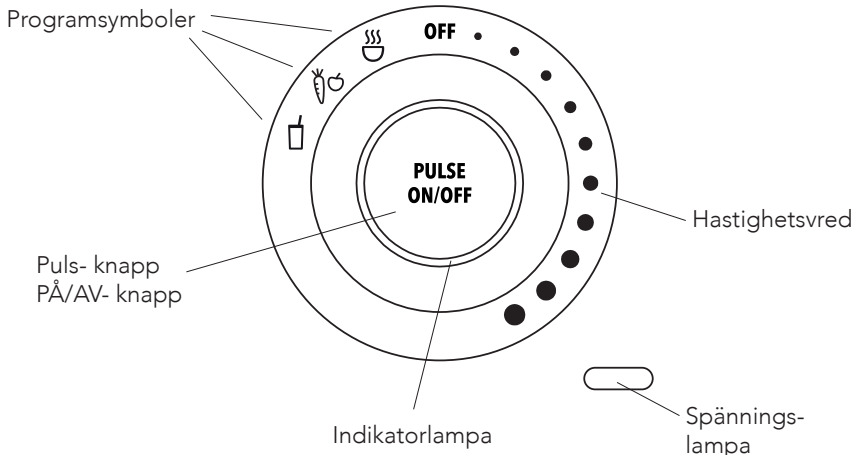
SE



- | | | | |
|----|------------------------|-----|------------------------------|
| 1. | Mätkopp | 9. | Cirkulär list |
| 2. | Lock | 10. | Puls-/start-/stopp-knapp |
| 3. | Mixerbägare | 11. | Hastighetsvred |
| 4. | Knivenhet | 12. | Motorenhet |
| 5. | Knivfäste | 13. | Elkabel |
| 6. | Drivanordning | 14. | Bottenkåpa |
| 7. | Fäste för mixerbägaren | 15. | Gummifot med antiglid-effekt |
| 8. | Toppåpa | | |

SE

REGLAGE



ANVÄNDNING

Kontrollera att de elektriska specifikationer som finns på märkplåten överensstämmer med strömförsörjningen där apparaten ska användas.

- **Standby-läge och energisparläge:** Anslut mixern och placera mixerbägaren på basenheten. Spänningslampan och indikatorlampan tänds och lyser med rött sken; mixern är nu i standby-läge.

Om mixern inte används på 3 minuter kommer den att gå i energisparläge. Indikatorlampan släcks men spänningslampan fortsätter att lysa med rött sken. Genom att trycka på valfri knapp får du apparaten att gå från energisparläget till standby-läget.




- **PÅ/AV (ON/OFF)-knapp:** Denna knapp används för att sätta på och stänga av de förinställda programmen. Det valda programmet aktiveras bara genom att du trycker på "PÅ/AV"-knappen. För att stanna apparaten trycker du på "PÅ/AV"-knappen igen.
- **PULS-(PULSE) knapp:** Det här är den manuella knappen för PULS-drift. I standby-läget och med hastighetsvredet riktat mot "OFF" på hastighetsinställningen, trycker du in "PULS"-knappen för att motorn ska öka till högsta hastighet i "PULS"-läget. Indikatorlampan lyser med vitt sken. När pulseknappen släpps återgår blendern till standby-läge.
- **Hastighetsinställningar:** Mixern har en 10-gradig justerbar, kontinuerlig hastighetskala. I standby-läget vrider du vredet medurs från "OFF" till den önskade hastigheten. Om du fortsätter vrida medurs ökas hastigheten gradvis upp till den högsta hastigheten. När mixern är igång lyser indikatorlampan

med vitt sken. Mixern stänger av sig automatiskt efter 10 minuter. För att återställa mixern för nästa användning vrider du tillbaka vredet till "OFF".

- **Programknappar:** För att kunna starta de förinställda programmen måste mixern vara i standby-läge. Välj program genom att vrida hastighetsvredet från "OFF" till det önskade programläget. När programmet gått klart trycker du på "PÅ/AV"-knappen.

För att stoppa mixern när den kör ett program trycker du på "PÅ/AV"-knappen igen. När programmet gått klart går mixern tillbaka till standby-läget.

SE

Symbol	Avsedd användning	Programcykel
	Soppa	Ökar till hastighet 7 på 7 sekunder (s), ökar därefter till hastighet H på 3 sekunder och håller den hastigheten till programmet är klart. Hela programmet tar 8 minuter, Startar alltid med mjukstart.
	Grönsaker	Hastighet H 30 s, stopp 2 s; Hastighet 6 10 s, stopp 2 s; Hastighet H 60 s, stopp 2 s; Hastighet 6 10 s, avslutas; hela programmet tar 1 min 56 s. Startar alltid med mjukstart.
	Smoothie	Mjukstart till hastighet H i 8 s och stopp i 2 s. Detta upprepas under totalt 30 s. Startar alltid med mjukstart.

LOCK OCH MÄTKOPP

- Sätt fast mätkoppen i locket genom att rikta in mätkoppens två flikar i urgröpningarna på locket och vrida om. Tryck fast locket på mixerbägaren ordentligt för att stänga den. Dra i vingen för att öppna locket.

SE

RENGÖRING OCH FÖRVARING

- Koppla bort apparaten från vägguttaget.
- Sänk aldrig ned basenheten eller elkabeln i vatten eller annan vätska.
- Rengör ytan på mixerbägaren med en fuktig trasa eller svamp. Mätkoppen kan tas av före rengöring.
- Mixerbägaren kan sköljas med vatten. Du kan också rengöra mixerbägaren genom att hålla ca 0,5 l vatten i den, stänga locket och köra mixern i puls-läget. Häll sedan ut vattnet och torka bägaren med en mjuk duk.
- Placera mixerbägaren på sidan eller upp och ned (anm. 1) för att torka. Sänk inte ned hela bägaren i vatten.
- Rengör basenheten med en mjuk duk. Sänk ALDRIG ned den i vatten eller annan vätska.

OBS: Stöt och mixerbägaren ska inte diskas i diskmaskin..

OBS: Om du ställer mixerbägaren upp och ned bör du torka av restvatten med en torr duk. Ställ den inte så nära vasken eller en vattenkran att det finns risk att bägarens nedre del utsätts för vattenstänk. Metalldelar (lager) skulle då kunna rosta, vilket i sin tur kan påverka mixerns prestanda.

DRIFTINFORMATION

- Mixern startar inte om:
 - mixerbägaren är felaktigt placerad på basenheten.
 - hastighetsvredet ställts in på justerbar hastighet innan bägaren placerats ordentligt på basenheten
 - bägaren tas bort under drift och ställs tillbaka igen.
- Du måste vrida hastighetsvredet tillbaka till "OFF" (AV) och säkerställa att bägaren står stadigt och korrekt på basenheten för att återställa mixern.
- Om motorn tvingas sakta ned för att det är för stora bitar eller inte tillräckligt med vätska i mixerbägaren eller om mixern körs för länge, kommer temperaturövervakningssystemet att lösa ut och motorn stängs av. Den röda LED-lampan kommer att blinka med en hastighet av 2 Hz. Då ska mixern kopplas ur vägguttaget och motorn få möjlighet att svalna på en plats med god ventilation i 45 minuter. Efter återställningen kan mixern användas igen.
- När mixern är igång måste locket vara ordentligt fastsatt för att undvika skållskador från varm vätska.
- Förebygg risken för allvarliga personskador och skador på apparaten genom att hålla fingrar och arbetsverktyg borta från bägaren när motorn är igång.

- Kontrollera att locket är ordentligt fastsatt på mixerbägaren och inte kan lossna när du gör varma drycker som sojabönsmjölk eller heta soppor. Vi rekommenderar att du alltid börjar mixa på låg hastighet och sedan ökar hastigheten gradvis, alternativt använder Puls-läget.
- När du gör såser som (t.ex. mandelsås, skinka- och sesamsås) eller fyllningar eller mixar nötter kan du använda mellan 0,5 till 0,7 liter ingredienser. Mängden bör varken vara för liten eller för stor. Mixa i högst 2 minuter för att undvika överhettning och att det luktar bränt. En för stor mängd ingredienser kan leda till överbelastning och överhettning av motorn. Om det skulle inträffa väntar du tills motorn svalnat innan du kör mixern igen.
- Lägg först i vätska och mjuka livsmedel innan du lägger i hårdare livsmedel eller isbitar.
- När mixern gått klart måste du vänta tills knivenheten stannat fullständigt innan du tar av mixerbägaren. Annars kan drivanordningen skadas.
- Om det skulle börja lukta bränt från mixern ska du genast stänga av den. Det kan bero på nötning av gummikuddsdelen om den inte är korrekt monterad.
- När du mixar tjock och klibbig mat ska du alltid starta mixern på låg hastighet. Om knivenheten inte roterar stänger du av apparaten och rör om innehållet i mixerbägaren med hjälp av en gummislickepott för att få bort luftbubblor ur innehållet. Sedan stänger du locket ordentligt och startar om.
- Apparaten får inte arbeta längre tid än 10 minuter åt gången.

SE

GRÖNSAKSSOPPA

3 portioner

- ½ avokado
- 1 morot
- 1 stjälkselleri
- ½ tomat
- ½ paprika
- ¼ lök
- ½ vitlök
- 3 ½ dl vatten med köttbuljong
- 1 dl grädde
- Salt och peppar

Koka upp vatten i en vattenkokare eller kastrull. Lös upp buljongen i det heta vattnet. Häll vattnet i mixerbägaren. Tillsätt alla grönsaker och grädden och mixa allt på medelhög hastighet i 2–3 minuter.

SE



GARANTI

Wilfa ger en garanti på fem (5) år på denna produkt från och med inköpsdatum. Garantin täcker tillverkningsfel eller defekter som uppstår under garantiperioden. Ditt inköpskvitto fungerar som bevis gentemot återförsäljaren om du åberopar garanti.

Garantin gäller endast produkter som köps och används för privat bruk, för normala hushållsändamål. Garantin gäller inte om produkten används för kommersiella ändamål. Garantin gäller inte om produkten används felaktigt eller oaktsamt, om du underlåter att följa Wilfas anvisningar, om produkten har modifierats eller om reparation har utförts av en icke auktoriserad person/verkstad. Garantin omfattar vidare inte fel som uppstår till följd av normalt slitage, felaktig användning, bristande underhåll eller felaktig elektrisk spänning eller:

- Ej rengjord i enlighet med bruksanvisningen
- Överbelastning av produkten
- Glasskada
- Beläggning
- Delar som normalt slits
- Delar som du kan förvänta dig ska bytas ut regelbundet (t.ex. filter, batteri)

PRODUKTSPECIFIKATIONER

220 V~240 V~ 50 Hz, 1200 W

SUPPORT OCH RESERVDELAR

För support besök oss på **wilfa.com** och se vår kundservice-/support sida. Här hittar du svar på vanliga frågor, reservdelar, tips och tricks och all vår kontaktinformation.

SE

ÅTERVINNINGSBARHET



Denna märkning anger att produkten inte får kastas med vanligt hushållsavfall inom EU. För att förhindra skador på miljö och människor ska produkten lämnas in och återvinnas i enlighet med gällande miljöbestämmelser. Den uttjänta produkten kan lämnas på angivna återvinningsanläggningar eller lämnas till din lokala återförsäljare.

Där kan du lämna produkten för miljövänlig återvinning gratis.

DK

INDHOLD

46	VIGTIGE SIKKERHEDSANVISNINGER
50	PRODUKTOVERSIGT
52	KONTROLPANEL
52	ANVENDELSE
54	RENGØRING OG OPBEVARING
54	BEMÆRKNINGER TIL DRIFT
55	GRØNTSAGSSUPPE
56	GARANTI
57	PRODUKTSPECIFIKATIONER
57	SUPPORT OG RESERVEDELE
57	GENANVENDELIGHED

VIGTIGE SIKKERHEDSANVISNINGER

DK

- Kontroller før apparatet tilsluttes, at den elektriske spænding vist på mærkepladen svarer til strømtilførslen i din husholdning.
- Apparatet må aldrig nedsænkes i vand eller anden væske eller skylles i rindende vand af hensyn til risikoen for kortslutning eller elektrisk stød. Hvis der er vand i apparatet, skal en autoriseret forhandler kontaktes.
- Læg aldrig den elektriske ledning eller strømstikket i vand for at rengøre det. Strømstikkets ben må ikke aftørres med en fugtig klud, og stikket må ikke sættes i kontakten med våde hænder.
- Tilslut apparatet til kontakten, så stikket sidder godt fast. Et løst stik kan medføre overophedning eller elektrisk stød.
- Hvis den strømførende ledning er beskadiget, skal den udskiftes af producenten, en fagmand eller en tilsvarende kvalificeret elektriker for at undgå enhver risiko.
- Efterlad aldrig apparatet uden opsyn.
- Hold hænder og redskaber væk fra beholderen, mens motoren kører, for at undgå risikoen for alvorlige skader.

- Sæt ikke blenderen i gang uden indhold i blenderkanden.
- Fyld ikke væske i blenderkanden over MAKS. linjen for at undgå spild.
- Undgå at udsætte apparatet for varmekilder som radiatorer eller stærk sol udefra. For at sikre god ventilation må der ikke anbringes en klud under apparatet.
- Kun til indendørs brug. Må ikke bruges udendørs eller til kommercielle formål.
- Låget skal være på plads under brug. Ved tilberedning af varme drikke skal låget og målebægeret fastgøres sikkert for at undgå skoldning, hvis den varme væske sprøjter over.
- Apparatet kan bruges af personer med nedsatte fysiske, sensoriske eller mentale evner eller mangel på erfaring eller viden, hvis disse personer er under opsyn, eller er blevet instrueret i sikker brug af apparatet og forstår risikoen i forbindelse hermed.
- Børn skal overvåges for at sikre, at de ikke leger med apparatet.
- Dette apparat må ikke anvendes af børn. Apparat og ledning skal opbevares utilgængeligt for børn.

DK

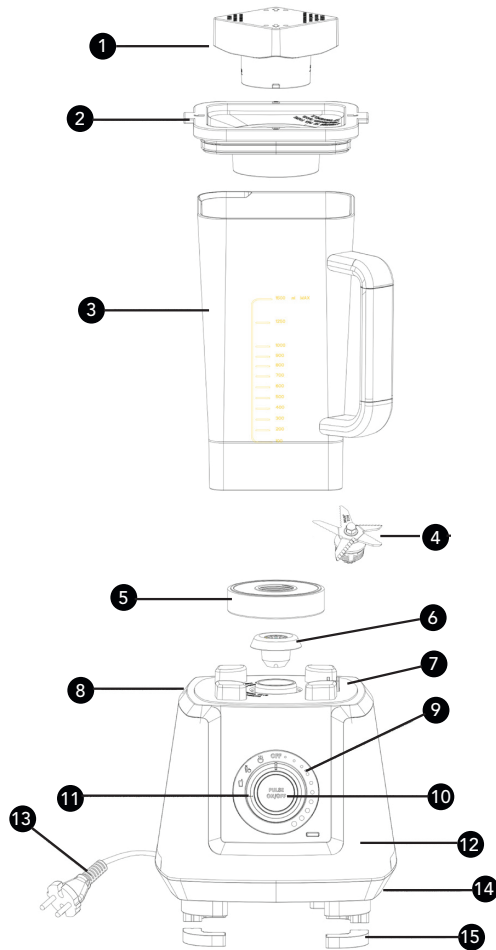
DK

- Sluk apparatet og træk stikket ud før udskiftning af tilbehør, eller hvis du befinder dig i nærheden af dele, der bevæger sig under brug.
- Tag stikket ud af kontakten, når apparatet ikke er i brug, før dele samles eller fjernes og før rengøring.
- Hvis motoren er overophedet, aktiveres temperaturovervågningssystemet, og motoren stopper. Sluk for apparatet og tag stikket ud, mens motoren køler af. Motorens temperaturovervågningssystem nulstilles, når stikket har været trukket ud i 45 minutter. Herefter kan blenderen bruges igen.
- Kniven er meget skarp, så vær forsigtig ved håndtering af den. Forsøg ikke at skille knivindsatsen ad eller røre ved nogen af de roterende dele.
- Al service skal udføres af en autoriseret serviceperson. Du må ikke forsøge at adskille, reparere eller ændre apparatet.
- Tag altid stikket ud af stikkontakten, hvis apparatet skal efterlades uden opsyn og inden montering, demontering eller rengøring.

DK

PRODUKTOVERSIGT

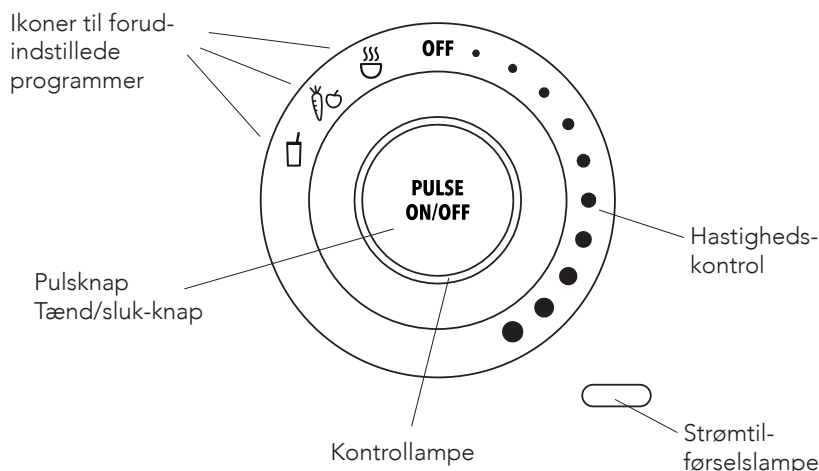
DK



- | | | | |
|----|-------------------------|-----|----------------------|
| 1. | Målebæger | 9. | Kontrolpanel |
| 2. | Låg | 10. | Puls-start/stop knap |
| 3. | Blenderkande | 11. | Hastighedskontrol |
| 4. | Knivindsats | 12. | Motorhus |
| 5. | Afstandsstykke til kniv | 13. | Elledning |
| 6. | Gearhjul | 14. | Bund |
| 7. | Leje til blenderkande | 15. | Skridsikker gummifod |
| 8. | Låg | | |

DK

KONTROLPANEL



DK

ANVENDELSE




Kontroller, at den elektriske spænding, der er vist på mærkepladen, svarer til den elektriske spænding i din husholdning.

- Dvaletilstand og energisparetilstand:** Tilslut blenderen, og anbring blenderkanden på apparatet. Lyset der indikerer, at strømmen er tilsluttet, lyser rødt, og det samme gør kontrollampen. Blenderen er nu i dvaletilstand. Hvis blenderen er inaktiv i 3 minutter, går den til energisparetilstand. Det røde lys, der indikerer, at apparatet er tilsluttet, lyser stadig rødt, mens kontrollampen slukkes. (Apparatet går fra strømsparetilstand til dvaletilstand, så snart en hvilken som helst knap berøres.)
- Tænd/sluk-knap:** Denne knap er tænd/sluk knappen til de forudindstillede programmer. Et valgt, forudindstillet program kan kun aktiveres ved at trykke på "ON/OFF" knappen. Hvis der trykkes på "ON/OFF" knappen igen, stopper apparatet.
- "PULSE" -knappen:** Dette er den manuelle knap for pulsfunktionen. I hvilemodus, med hastighedskontrol der peger på stillingen "OFF", så holder du "PULSE" knappen nede, og motoren øges til fuld hastighed, og indikatorlyset vil vise et hvidt lys. Når du slipper "PULSE" -knappen, vender blenderen tilbage til standbytilstand.
- Hastighedsindstillinger:** Denne blender har 10 trinløse hastighedsindstillinger. I dvaletilstand drejes hastighedskontrollen med uret fra "OFF" positionen, og blenderen begynder at arbejde med den ønskede hastighed. Ved fortsat at dreje knappen med uret forøges hastigheden gradvist og når til sidst den

maksimal hastighed. Når apparatet er i drift, lyser kontrolknappen hvidt. Blenderen slukker automatisk efter 10 minutter. For at nulstille blenderen til næste brug, drejes hastighedskontrollen tilbage til "OFF" positionen.

- **Knap til forudindstillede programmer:** For at bruge de forudindstillede programmer skal blenderen først være i dvaletilstand, hvorefter hastighedskontrollen drejes fra "OFF" positionen til det ønskede, forudindstillede program og "ON/OFF" knappen aktiveres.

Hvis blenderen skal stoppes under drift i et af programmerne, trykkes på "ON/OFF" knappen for at stoppe blenderen. Efter afslutning af det forudindstillede program, går blenderen tilbage til dvaletilstand.

Ikon	Funktion	Driftscyklus
	Suppe	Øger til hastighed 7 i 7 sekunder, derefter til hastighed H i 3 sekunder, og holder denne fart, til programmet afsluttes. Varighed i alt er 8 minutter. Alle starter er bløde.
	Grøntsager	Hastighed H 30 sek., stop 2 sek. Hastighed 6 10 sek., stop 2 sek. Hastighed H 60 sek., stop 2 sek. Hastighed 6 10 sek., slut. Varighed i alt er 1 min. 56 sek. Alle starter er bløde.
	Smoothie	Blød start til hastighed H i 8 sek. og stop i 2 sek. Gentager denne cyklus, indtil den samlede driftstid er 30 sek. Alle starter er bløde.

DK

LÅG, MÅLEBÆGER

- Indsæt målebægeret i låget ved at anbringe de to tapper i lågets åbninger og dreje på låsen. Skub derefter låget på blenderkanden for at lukke det. Låget åbnes ved at trække flappen opad.

RENGØRING OG OPBEVARING

- Afbryd strømtilførslen til apparatet.
- Nedsænk ikke apparatet eller ledningen i vand eller andre væsker.
- Rengør ydersiden af blenderkanden med en blød klud eller svamp. Målebægeret kan afmonteres før rengøring.
- Blenderkanden kan rengøres med vand. Den kan også rengøres ved at hælde to kopper vand i blenderkanden, lukke låget og derefter lade blenderen arbejde i pulsindstilling. Hæld vandet ud og tør af med en blød klud.
- Efter rengøring anbringes blenderkanden på siden eller med bunden i vejret (note 1) for at tørre. Nedsænk ikke kanden i vand.
- Rengør motorhuset med en blød klud, Det må ALDRIG nedsænkes i vand eller anden væske.

DK

Bemærk: Tamper og blenderkande skal ikke vaskes i opvaskmaskine.

Bemærk: Hvis du anbringer blenderkanden med bunden i vejret, skal overskydende vand fjernes med en tør klud. Efterlad den ikke for tæt på vasken for at undgå, at der sprøjter vand på den nederste del af kanden. Det kan forårsage rustdannelse og påvirke maskinens funktion.

BEMÆRKNINGER TIL DRIFT

- Blenderen kan ikke anvendes, hvis:
 - kanden ikke er placeret korrekt på motorhuset.
 - hastighedskontrollen er indstillet på variabel hastighed, før kanden sættes på motorhuset.
 - kanden fjernes under brug og sættes tilbage igen.
- Du skal indstille hastighedskontrollen på "OFF" (slukket) positionen og sørge for, at kanden er korrekt placeret på motorhuset. Det nulstiller blenderen.
- Hvis motoren tvinges til at sænke hastigheden, fordi der er for mange madvarer eller for lidt væske i kanden, og hvis dette forekommer over en længere periode, vil temperaturovervågningssystemet blive aktiveret og standse motoren. Det røde LED-lys blinker med en frekvens på 2 Hz. I så fald skal strømtilførslen afbrydes, og blenderen stilles et sted med god ventilation i 45 minutter, så motor køles ned. Herefter nulstilles systemet, og blenderen kan bruges igen.
- Under brug skal låget lukkes tæt til for at undgå skoldning, hvis varm væske sprøjter ud.
- Hold hænder og redskaber væk fra beholderen, mens motoren kører, for at undgå risikoen for alvorlige skader.

- Ved tilberedning af varme drikke såsom sojamælk eller varm suppe er det vigtigt at kontrollere, at låget er sikkert fastgjort og ikke kan falde af. Det anbefales altid at starte med lav hastighed og derefter øge hastigheden gradvist eller bruge PULS-indstillingen.
- Ved tilberedning af saucer (f.eks. mandelsauce, syltetøj og sesamsauce), fars eller tilberedning af nødder, hældes mellem 2 og 3 kopper af råvarerne i kanden. Der må hverken være for lidt eller for meget. Hold blendertiden under 2 minutter for at forhindre overophedning og brændt lugt. For mange ingredienser kan medføre overbelastning og overophedning af motoren. I så fald skal motoren afkøles, før blenderen bruges igen.
- Tilsæt væske og bløde madvarer før hårde madvarer eller isterninger hældes i.
- Når blendertiden slutter, skal knivindsatsen være helt standset, før blenderkanden fjernes. Ellers kan gearhjulet blive beskadiget.
- Hvis du bemærker en sveden lugt fra blenderen, skal du omgående stoppe den. Det kan skyldes slitage på gummipuden i bunden, hvis den ikke er korrekt monteret.
- Ved tilberedning af tunge og klistrede madvarer skal blenderen startes ved lav hastighed. Hvis kniven ikke kører rundt, afbrydes strømmen, og indholdet i blenderen omrøres med en dejskraber af gummi for at fjerne luftlommer. Sæt derefter låget på og start igen.
- Blenderen må ikke benyttes i mere end 10 minutter ad gangen.

DK

GRØNTSAGSSUPPE

3 portioner

- ½ avocado
- 1 gulerod
- 1 stang selleri
- ½ tomat
- ½ peberfrugt
- ¼ løg
- ½ hvidløg
- 3,5 dl vand med kødbouillon
- 1 dl fløde
- Salt og peber

Kog vandet op med en elkedel eller i en kedel. Opløs bouillon i det varme vand. Hæld derefter vandet i kolben. Tilsæt alle grøntsagerne og fløden, og bland på medium hastighed i 2-3 minutter.



DK

GARANTI

Wilfa yder 5 års garanti på dette produkt fra købsdatoen. Garantien dækker produktionsfejl eller mangler, der opstår i garantiperioden. Din kvittering fungerer som dokumentation over for forhandleren, hvis du ønsker at benytte din garanti.

Garantien gælder kun for produkter, der er købt til og bruges i private husstande. Garantien gælder ikke, hvis produktet bruges kommercielt. Garantien gælder ikke, hvis produktet er misbrugt, forsømt, vejledningen fra Wilfa ikke er fulgt, produktet er ændret, eller der er foretaget uautoriseret reparation. Garantien gælder heller ikke for normalt slid på produktet, misbrug, manglende vedligeholdelse, brug af forkert spænding eller:

- Ikke afkalket i henhold til brugervejledningen
- Overbelastning af produktet
- Beskadigelse af glas
- Belægning
- Dele, der normalt bliver slidt
- Dele, der kan forventes udskiftet regelmæssigt (f.eks. filter, batteri osv.)

PRODUKTSPECIFIKATIONER

220V~240V~50Hz, 1200 W

SUPPORT OG RESERVEDELE

Hvis du har brug for support, kan du finde vores kundeservice/supportside på **Wilfa.com**. Her finder du ofte stillede spørgsmål, reservedele, tips og tricks og alle vores kontaktoplysninger.

GENANVENDELIGHED



Denne mærkat angiver, at produktet ikke må bortskaffes sammen med andet husholdningsaffald nogen steder i EU. For at undgå potentiel skade på miljøet eller menneskers sundhed pga. ukontrolleret bortskaftelse af affald, skal produktet genanvendes ansvarligt for at fremme bæredygtig genanvendelse af materielle ressourcer. Brug retur- og indsamlingssystemerne til genanvendelse af den brugte enhed, eller kontakt den forhandler, hvor du købte produktet. De kan tage dette produkt til en miljøvenlig genanvendelse uden beregning.

DK

FI

SISÄLTÖ

60	TURVALLISUUSOHJEET
64	TUOTTEEN KUVAUS
66	OHJAUSPANEELI
66	LAITTEEN KÄYTTÖ
68	PUHDISTUS JA SÄILYTYS
68	KÄYTTÖÄ KOSKEVAT HUOMIOT
69	VIHANNESKEITTO
70	TAKUU
71	TUOTETIEDOT
71	TUKI JA VARAOSAT
71	KIERRÄTYS

TURVALLISUUSOHJEET

- Tarkista ennen virran kytkemistä, että laitteen arvokilvessä ilmoitetut tiedot vastaavat kotitaloutesi verkkovirtaa.
- Oikosulkuvaaran ja sähköiskujen välttämiseksi älä upota jalustaa veteen tai muuhun nesteeseen tai huuhtele sitä juoksevan veden alla. Jos jalustan sisälle on päässyt vettä, ota yhteyttä valtuutettuun korjaajaan.
- Älä puhdista virtajohtoa tai pistoketta veteen upottamalla. Älä pyyhi pistokkeen piikkejä kostealla liinalla tai kytke pistoketta pistorasiaan märin käsin.
- Työnnä pistoke kunnolla pistorasiaan. Huonosti istuva pistoke voi aiheuttaa ylikuumentumista tai sähköiskun.
- Jos virtajohto on vahingoittunut, se on vaaran välttämiseksi vaihdattava valmistajalla, valmistajan valtuuttamassa korjaamossa tai muulla pätevällä sähköalan ammattilaisella.
- Älä jätä laitetta päälle ilman valvontaa.
- Älä työnnä käsiä tai työvälineitä kannuun moottorin käydessä, sillä se saattaa aiheuttaa vakavia henkilövahinkoja tai laitteen vaurioitumisen.

FI

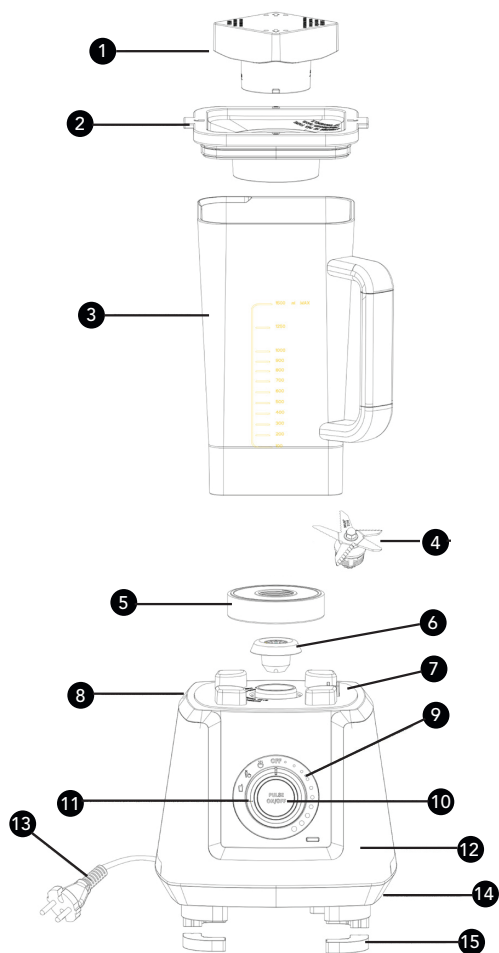
- Älä käytä laitetta kannu tyhjänä.
- Täytä kannu roiskeiden välttämiseksi korkeintaan MAX-viivaan saakka.
- Älä säilytä laitetta lämpöpatterin lähellä tai auringonpaisteessa tai altista sitä muille lämmönlähteille. Huolehdi hyvästä ilmanvaihdosta. Älä pane laitteen alle liinaa tai muuta vastaavaa.
- Vain sisäkäyttöön. Ei saa käyttää ulkona eikä kaupallisiin tarkoituksiin.
- Sulje kansi aina ennen käyttöä. Kun kannussa on kuumaa nestettä, sulje kansi ja mittakuppi kunnolla roiskeiden ja palovammojen välttämiseksi.
- Fyysisesti, henkisesti, aisteiltaan taitietämykseltään rajoittuneet tai kokemattomat henkilöt voivat käyttää laitetta, jos heitä valvotaan tai jos heitä on neuvottu käyttämään laitetta turvallisesti ja he ymmärtävät käyttämiseen liittyvät vaarat.
- Valvo lapsia äläkä anna heidän leikkiä laitteella.
- Lapset eivät saa käyttää laitetta. Säilytä laite ja sen johto lasten ulottumattomissa.
- Katkaise virta ja irrota virtajohto pistorasiasta aina ennen osien vaihtamista tai liikkuvien osien koskettamista.

- Irrota virtajohto pistorasiasta ennen osien kiinnittämistä tai irrottamista, ennen laitteen pesua ja aina kun laite on pois käytöstä.
- Jos moottori on ylikuumentunut, lämpötilan valvontajärjestelmä aktivoituu ja pysäyttää moottorin. Sammuta virta, irrota virtajohto pistorasiasta ja anna moottorin jäähtyä. Lämpötilan valvontajärjestelmä nollautuu, kun laite on ollut irti virtalähteestä 45 minuuttia. Sen jälkeen laitetta voi taas käyttää.
- Käsittele teräyksikköä varovasti, sillä terät ovat erittäin teräviä. Älä yritä purkaa teräyksikköä äläkä koske mitään liikkuvia osia.
- Kaikki laitteen huoltotoimenpiteet on annettava valtuutetun korjaajan tehtäviksi. Älä yritä korjata tai purkaa laitetta tai tehdä siihen muutoksia.
- Irrota virtajohto pistorasiasta aina ennen laitteen kokoamista, purkamista tai puhdistamista ja kun laite on ilman valvontaa.

FI

FI

TUOTTEEN KUVAUS

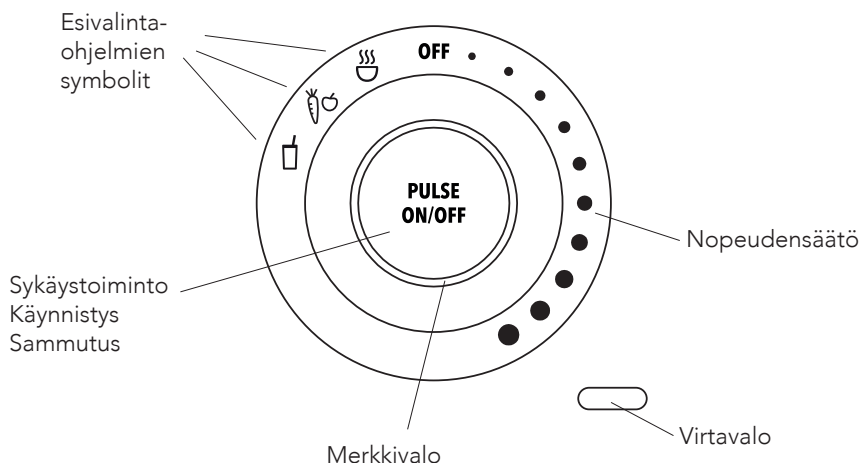


- | | | | |
|----|-----------------|-----|-------------------------------|
| 1. | Mittakuppi | 9. | Säätökiekko |
| 2. | Kansi | 10. | Pulse/ON/OFF-painike |
| 3. | Kannu | 11. | Pulse/ON/OFF-painike |
| 4. | Teräyksikkö | 12. | Moottoriyksikkö |
| 5. | Terän jalake | 13. | Virtajohto |
| 6. | Vetopyörästö | 14. | Pohja |
| 7. | Kannun pohja | 15. | Liukumista estävät kumitassut |
| 8. | Jalustan yläosa | | |

FI

FI

OHJAUSPANEELI



FI




LAITTEEN KÄYTTÖ

Tarkista, että laitteen arvokilvessä ilmoitetut tiedot vastaavat kotitaloutesi verkkovirtaa.

- **Valmiustila ja energiansäästötila:** Työnnä pistoke pistorasiaan ja nosta kannu jalustalle. Virtavallo ja merkkivallo palavat punaisina ja laite on valmiustilassa. Jos laite on käyttämättä kolmen minuutin ajan, se menee energiansäästötilaan. Virtavallo jää palamaan punaisena, mutta merkkivallo sammuu. (Laitte palaa energiansäästötilasta valmiustilaan, kun painat mitä tahansa painiketta.)
- **ON/OFF-painike:** Esivalintaohjelmat käynnistetään ja pysäytetään tätä painiketta painamalla. Valittu ohjelma käynnistyy vasta kun painat "ON/OFF"-painiketta. Kun painat uudelleen "ON/OFF", laite pysähtyy.
- **PULSE-painike:** Sykästoiminto käynnistyy tästä painikkeesta painamalla. Varmista, että laite on valmiustilassa ja nopeudensäätökierokko "OFF"-asennossa. Paina "PULSE"-painiketta, niin moottori kiihtyy täyteen nopeuteen ja merkkivallo palaa valkoisena. Päästäessäsi "PULSE"-painikkeen, laite palaa valmiustilaan.
- **Nopeusasetukset:** Laitteessa on kymmenen portaattomasti säätyvää nopeusasetusta. Varmista, että laite on valmiustilassa ja käännä säätökierokkoa "OFF"-asennosta myötäpäivään, niin laite alkaa toimia valitsemallasi nopeudella. Kun jatkat kierokkaan kääntämistä, nopeus kiihtyy ja saavuttaa lopulta enimmäisnopeuden. Merkkivallo palaa käytön aikana valkoisena. Laitte sammuu automaattisesti kymmenen minuutin kuluttua. Jos haluat nollata laitteen

seuraavaa toimintoa varten, käännä nopeudensäätökierro takaisin "OFF"-asentoon.

- **Esivalintaohjelmat:** Jos haluat käyttää esivalintaohjelmia, varmista ensin, että laite on valmiustilassa ja käännä sitten nopeudensäätökierro "OFF"-asennosta haluamasi ohjelman kohdalle. Paina lopuksi "ON/OFF"-painiketta. Jos haluat pysäyttää laitteen esivalintaohjelman ollessa käynnissä, paina "ON/OFF"-painiketta. Esivalintaohjelman päätyttyä laite palaa valmiustilaan.

Icon	Function	Operation cycle
	Keitto	Kiihtyy tasolle 7 seitsemässä sekunnissa, kiihtyy edelleen tasolle H kolmessa sekunnissa ja pysyy siinä loppuun saakka. Kokonaiskesto 8 minuuttia. Kaikki käynnistykset ovat pehmeitä.
	Kasvikset	Nopeus H 30 s, tauko 2 s Nopeus 6 10 s, tauko 2 s Nopeus H 60 s, tauko 2 s Nopeus 6 10 s, lopetus Kokonaiskesto 1 min 56 s Kaikki käynnistykset ovat pehmeitä.
	Smoothie	Pehmeä käynnistys tasolle H 8 sekuntia, tauko 2 sekuntia. Sykli toistuu 30 sekunnin ajan. Kaikki käynnistykset ovat pehmeitä.

FI

KANSI JA MITTAKUPPI

- Työnä mittakupissa olevat pienet ulokkeet kannessa oleviin koloihin ja lukitse paikalleen kääntämällä mittakuppia. Aseta kansi paikalleen kannun päälle. Avaa kansi tarttumalla avauskaistaleeseen ja nostamalla kansi pois.

PUHDISTUS JA SÄILYTYS

- Irrota virtajohto pistorasiasta.
- Älä upota jalustaa tai virtajohtoa veteen tai muuhun nesteeseen.
- Puhdista kannu pehmeällä liinalla tai sienellä. Mittakupin voi irrottaa puhdistusta varten.
- Kannun voi huuhdella vedellä. Vaihtoehtoisesti voit kaataa kannuun puoli litraa vettä, sulkea kannen ja puhdistaa kannun käyttämällä sykästoimintoa. Kaada vesi pois ja kuivaa pehmeällä liinalla.
- Anna kannun kuivua kyljellään tai ylösalaisin käännettynä (ks. huomautus 1). Älä upota koko kannua veteen.
- Pyyhi jalusta pehmeällä liinalla. ÄLÄ upota veteen tai muuhun nesteeseen.

Huomaa: Paininta ja kannua ei saa pestä astianpesukoneessa.

FI

Huomaa: Jos käänät kannun ylösalaisin, pyyhi pohjan päälle kerääntyvä vesi kuivalla liinalla äläkä jätä kannua keittiöaltaan tai lavaarin lähelle, ettei sen pohjalle pääse roiskumaan vettä. Vesi saattaa ruostuttaa laakeria ja vaikuttaa siten laitteen toimintaan.

KÄYTTÖÄ KOSKEVAT HUOMIOT

- Laitetta ei voi käyttää, jos...
 - kannu ei ole kunnolla kiinni jalustassa
 - nopeudensäätökiekko on käännetty jonkin tietyn nopeuden kohdalle ennen kannun asettamista jalustaan
 - otat kannun pois kesken käytön ja asetat sen uudelleen paikalleen
- Nollaa laite kääntämällä nopeudensäätökiekko takaisin "OFF"-asentoon (OFF) ja varmista, että kannu seisoo tukevasti jalustalla.
- Jos liian isot ruoanpalat tai liian vähäinen nestemäärä hidastavat moottoria tai jos laitetta käytetään hyvin pitkään, lämpötilan valvontajärjestelmä aktivoituu ja sammuttaa moottorin. Punainen ledvalo vilkkuu 2 Hz:n taajuudella. Irrota virtajohto pistorasiasta ja jätä laite jäähtymään hyvin ilmastoituun tilaan 45 minuutin ajaksi. Sen jälkeen järjestelmä nollautuu ja laitetta voi taas käyttää.
- Sulje kansi käytön ajaksi, ettei kannusta roisku kuumaa nestettä, joka voi aiheuttaa palovammoja.
- Älä työnnä käsiä tai työvälineitä kannuun moottorin käydessä, sillä se saattaa aiheuttaa vakavia henkilövahinkoja tai laitteen vaurioitumisen.
- Kun valmistat soijamaitoa tai muita kuumia juomia tai kuumaa keittoa, varmista että kansi on kunnolla kiinni eikä pääse putoamaan. Aloita hitaasti ja lisää nopeutta vähitellen tai käytä sykästoimintoa.

- Kastikkeita (esimerkiksi mantelivoita, hilloa tai seesaminsientahnaa) tehdessä, kalkkunan täytettä sekoittaessa tai pähkinöitä hienontaessa kannuun kannattaa kaataa reilu puoli litraa aineksia. Määrä ei saisi olla sen paremmin liian pieni kuin liian suurikaan. Rajoita käyttöaika alle kahteen minuuttiin, ettei laite ylikuumene ja ala haista palaneelle. Jos aineksia on liikaa, laite saattaa ylikuormittua ja moottori ylikuumentua. Anna siinä tapauksessa moottorin jäähtyä ennen kuin käynnistät laitteen uudelleen.
- Kaada nesteet ja pehmeät ainesosat kannuun ennen kovia ainesosia ja jääpaloja.
- Älä irrota kannua jalustasta ennen kuin teräyksikkö on pysähtynyt täysin. Irrottaminen liian aikaisin saattaa vahingoittaa vetopyörästöä.
- Jos tunnet laitteesta lähtevää palaneen hajua, lopeta käyttö välittömästi. Haju saattaa johtua huonosti istuvan kumipehmusteen hankautumisesta.
- Paksua ja tahmeaa ruokaa työstäessä kannattaa aloittaa hitaasti, vaikka loppujen lopuksi tahtoisitkin sekoittaa mahdollisimman suurella nopeudella. Jos terä ei siitä huolimatta pyöri, irrota virtajohto pistorasiasta ja sekoita massan joukkoon jääneet ilmataskut pois kumisella nuolijalla. Sulje kansi, kytke virta ja käynnistä laite uudelleen.
- Älä käytä laitetta yli kymmentä minuuttia kerrallaan.

FI

VIHANNESKEITTO

3 annosta

- ½ avokadoa
- 1 porkkana
- 1 sellerinvarsi
- ½ tomaattia
- ½ paprikaa
- ¼ sipulia
- ½ valkosipulia
- 3,5 dl vettä ja lihaliemikuutio
- 1 dl kermaa
- Suolaa ja pippuria

Keitä vesi vedenkeittimessä tai kattilassa. Liuota lihaliemikuutio veteen. Kaada vesi tehosekoittimen kannuun. Lisää kasvikset ja kerma ja sekoita keskinopeudella 2–3 minuuttia.



TAKUU

FI

Wilfa myöntää tälle tuotteelle viiden (5) vuoden takuun ostopäivämäärästä alkaen. Takuu kattaa valmistusvirheet ja takuuaikana ilmenevät viat. Ostokuitti toimii todisteena jälleenmyyjälle takuuvaatimusten esittämisen yhteydessä.

Takuu koskee ainoastaan yksityiskäyttöön ostettuja ja yksityiskäytössä olleita tuotteita. Takuu ei ole voimassa, jos tuotetta on käytetty kaupallisesti. Takuu ei ole voimassa, jos tuotetta on käytetty väärin, huolimattomasti tai Wilfan antamien ohjeiden vastaisesti tai jos tuotetta on muutettu tai korjattu valtuuttamattomalla tavalla. Takuu ei koske myöskään tuotteen normaalia kulumista, väärinkäyttöä, huollon puutetta, väärän sähköjännitteen käyttöä eikä:

- Käyttöohjeen kalkinpoisto-ohjeiden noudattamatta jättämistä
- Tuotteen ylikuormittamista
- Lasin rikkoontumista
- Pinnoitetta
- Normaalisti kulumia osia
- Osia, jotka pitääkin vaihtaa säännöllisesti (esim. suodatin, paristo jne.)

TUOTETIEDOT

220 V ~ 240 V ~ 50 Hz, 1200 W

TUKI JA VARAOSAT

Tukiasioissa käy osoitteessa **wilfa.fi** ja tutustu asiakaspalvelu- ja tukisivuumme. Sieltä löydät usein kysytyt kysymykset, varaosat, vinkit ja neuvot sekä kaikki yhteystietomme.

KIERRÄTYS



Tämä merkki osoittaa, että laitetta ei saa hävittää EU:n alueella talousjätteen mukana. Laite tulee kierrättää vastuullisesti ja kestävän kehityksen periaatteiden mukaisesti, jottei ympäristölle ja ihmisten terveydelle aiheudu haittaa. Kierrätä käytetty laite viemällä se keräyspisteeseen tai palauttamalla se tuotteen jälleenmyyjälle. Tällöin se käsitellään ympäristön kannalta turvallisesti.

FI

DE

INHALTSVERZEICHNIS

74	WICHTIGE SICHERHEITSHINWEISE
78	PRODUKTÜBERSICHT
80	BEDIENFELD
80	GEBRAUCHSANLEITUNG
81	REINIGUNG UND AUFBEWAHRUNG
82	BEDIENUNGSHINWEISE
83	GEMÜSESUPPE
84	GARANTIE
85	TECHNISCHE DATEN
85	SUPPORT UND ERSATZTEILE
85	RECYCLINGFÄHIGKEIT

WICHTIGE SICHERHEITSHINWEISE

- Lesen Sie diese Bedienungsanleitung vor Verwendung des Geräts gründlich durch und bewahren Sie sie auf.
- Prüfen Sie vor dem Anstecken des Geräts am Netz, dass die auf dem Typenschild angegebene elektrische Leistungsfähigkeit mit der Netzversorgung Ihres Haushalts übereinstimmt.
- Tauchen Sie das Basisteil des Geräts niemals in Wasser oder eine andere Flüssigkeit ein und spülen Sie es nicht unter fließendem Wasser, um die Gefahr von Kurzschluss oder elektrischem Schlag zu vermeiden. Wenn sich Wasser in der Basiseinheit befindet, wenden Sie sich bitte an einen autorisierten Wartungstechniker.
- Legen Sie das Netzkabel oder den Stecker niemals zur Reinigung in Wasser. Wischen Sie die Stifte des Steckers nicht mit einem feuchten Tuch ab und fassen Sie den Stecker nicht mit nassen Händen an.
- Stecken Sie das Gerät fest und sicher in die Steckdose. Ein loser Stecker kann zu Überhitzung oder Stromschlag führen.
- Wenn das Stromkabel beschädigt ist, muss es vom Hersteller, seiner Servicestelle oder ähnlich qualifizierten Elektrikern ersetzt werden, um eine Gefährdung auszuschließen.

DE

- Lassen Sie das Gerät niemals unbeaufsichtigt.
- Halten Sie Hände und Utensilien außerhalb des Behälters, während der Motor läuft, um mögliche schwere Verletzungen und/oder Schäden zu vermeiden.
- Lassen Sie das Gerät niemals ohne Inhalt im Mischbehälter laufen.
- Um ein Überlaufen zu verhindern, befüllen Sie den Mischbehälter nicht über die MAX-Linie.
- Setzen Sie das Gerät keinen Wärmequellen wie Heizkörpern oder direkter Sonneneinstrahlung durch ein Fenster aus.
- Um eine gute Belüftung zu gewährleisten, darf kein Tuch unter das Gerät gelegt werden.
- Nur für den Gebrauch in Innenräumen. Nicht im Freien oder zu gewerblichen Zwecken verwenden.
- Verwenden Sie es immer mit eingesetztem Deckel. Bei der Verarbeitung von heißen Getränken befestigen Sie Deckel und Messbecher sorgfältig an ihrem Platz, um Verbrühen durch spritzende heiße Flüssigkeit zu verhindern.
- Die Nutzung des Geräts durch Personen mit verminderten körperlichen, sensorischen oder geistigen Fähigkeiten bzw. ohne ausreichende

DE

Erfahrung und Wissen ist untersagt, sofern sie nicht beaufsichtigt werden, eine Einweisung zur sicheren Nutzung der Geräte erhalten haben und die damit verbundenen Gefahren verstanden haben.

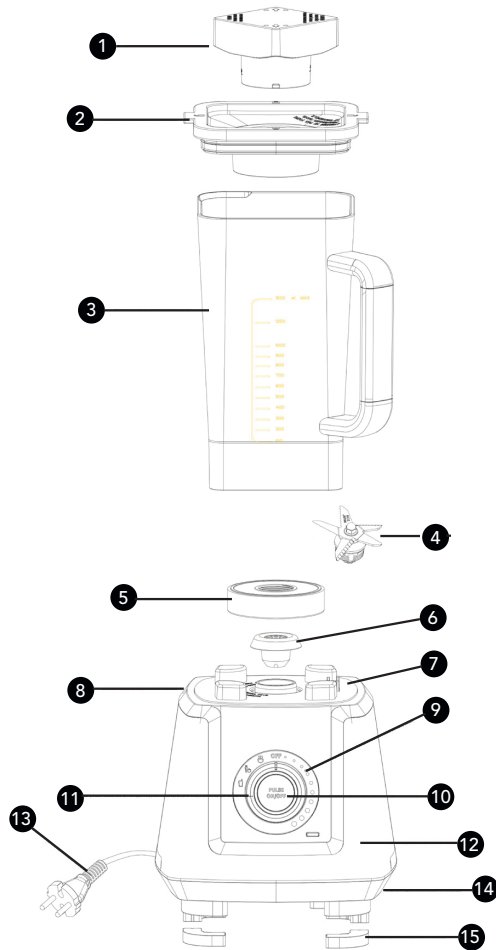
- Kinder sollten beaufsichtigt werden, damit sie nicht mit dem Gerät spielen.
- Das Gerät darf nicht von Kindern bedient werden. Das Gerät und das Kabel außerhalb der Reichweite von Kindern aufbewahren.
- Schalten Sie das Gerät aus und trennen Sie es von der Netzversorgung, bevor Sie Zubehörteile austauschen oder in der Nähe von beweglichen Teilen arbeiten.
- Ziehen Sie den Stecker aus der Steckdose, wenn das Gerät nicht in Gebrauch ist, bevor Sie Teile anbringen oder abnehmen und vor dem Reinigen.
- Wenn der Motor überhitzt ist, löst das Temperaturüberwachungssystem aus und der Motor stoppt. Schalten Sie das Gerät aus, ziehen Sie den Stecker aus der Steckdose und lassen Sie den Motor abkühlen. Das Temperaturüberwachungssystem des Motors wird zurückgesetzt, wenn der Mixer 45 Minuten lang von der Steckdose getrennt ist. Danach kann der Mixer wieder verwendet werden.

DE

- Seien Sie vorsichtig beim Umgang mit der Schneide – sie ist sehr scharf. Versuchen Sie nicht, die Schneidvorrichtung auseinanderzunehmen oder drehende Teile zu berühren.
- Wartungen und Reparaturen sollten von einer autorisierten Servicewerkstatt durchgeführt werden. Versuchen Sie nicht, das Gerät zu öffnen, zu reparieren oder zu modifizieren.
- Trennen Sie das Gerät immer von der Stromversorgung, wenn es unbeaufsichtigt bleibt und bevor es zusammengesetzt, auseinandergenommen oder gereinigt wird.

DE

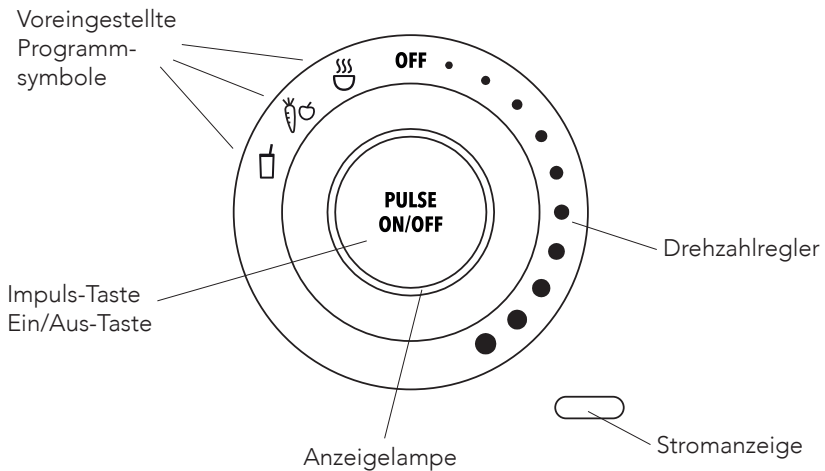
PRODUKTÜBERSICHT



- | | | | |
|----|--------------------|-----|----------------------------|
| 1. | Messbecher | 9. | Blende |
| 2. | Deckel | 10. | Impuls-/Start-/Stoppregler |
| 3. | Mischbehälter | 11. | Drehzahlregler |
| 4. | Schneidvorrichtung | 12. | Motor |
| 5. | Schneidenhalterung | 13. | Netzkabel |
| 6. | Antriebsrad | 14. | Untere Abdeckung |
| 7. | Mischbehälterlager | 15. | Rutschfeste GummifüÙe |
| 8. | Obere Abdeckung | | |

DE

BEDIENFELD



DE

GEBRAUCHSANLEITUNG




Prüfen Sie, dass die auf dem Typenschild angegebene Spannung der Netzversorgung Ihres Haushalts entspricht.

- **Standby-Modus und Energiesparmodus:** Stecken Sie den Stecker des Mixers ein und stellen Sie den Mischbehälter auf die Basis. Die Stromanzeige und die Kontrollleuchte leuchten rot; der Mixer befindet sich nun im Standby-Modus. Wenn der Mixer 3 Minuten lang nicht benutzt wird, schaltet er in den Energiesparmodus. Die Stromanzeige leuchtet weiterhin rot, während die Kontrollleuchte erlischt. (Aus dem Energiesparmodus wechselt das Gerät in den Standby-Modus, wenn eine beliebige Taste gedrückt wird.)
- **„ON/OFF“-Schalter (Ein/Aus):** Diese Taste ist die Ein/Aus-Taste für die voreingestellten Programme. Eine ausgewählte voreingestellte Programmfunktion wird nur durch Drücken der ON/OFF-Taste aktiviert. Durch erneutes Drücken der ON/OFF-Taste wird das Gerät angehalten.
- **PULSE-Taste:** Dies ist die manuelle Taste für den Impulsbetrieb. Halten Sie im Standby-Modus die PULSE-Taste gedrückt, während der Drehzahlregler auf die OFF-Position zeigt. Der Motor steigt im Impulsmodus auf die volle Drehzahl an. Die Anzeigelampe leuchtet weiß. Wenn Sie die PULSE-Taste loslassen, kehrt der Mixer in den Standby-Modus zurück.
- **Drehzahleinstellungen:** Dieser Mixer verfügt über 10 stufenlos einstellbare Drehzahleinstellungen. Im Standby-Modus drehen Sie den Drehzahlregler im Uhrzeigersinn aus der OFF-Position, und der Mixer arbeitet mit der entsprechenden Drehzahl. Wenn Sie den Drehzahlregler weiter im Uhrzeigersinn drehen, erhöht sich die Drehzahl allmählich und erreicht schließlich die maximale Drehzahl. Während des Betriebs leuchtet die

Kontrollleuchte weiß. Der Mixer schaltet sich nach 10 Minuten automatisch aus. Um den Mixer für den nächsten Gebrauch zurückzusetzen, drehen Sie den Drehzahlregler wieder in die OFF-Position.

- **Programmvorwahltaste:** Um die voreingestellten Programme zu verwenden, sollte sich der Mixer zunächst im Standby-Modus befinden. Dann wählen Sie die Programmeinstellung aus, indem Sie den Drehzahlregler von der OFF-Position auf die gewünschte voreingestellte Programmeinstellung drehen und danach die ON/OFF-Taste drücken.

Um den Mixer während einem laufenden Programm anzuhalten, drücken Sie die ON/OFF-Taste. Nach dem Betrieb des voreingestellten Programms kehrt der Mixer in den Standby-Modus zurück.

Symbol	Funktion	Betriebszyklus
	Suppe	Erhöht sich in 7 Sek. auf Drehzahl 7, dann in 3 Sek. auf Drehzahl H und hält diese Drehzahl bis zum Ende. Die Gesamtdauer beträgt 8 Minuten. Jeder Anlauf ist ein Softstart.
	Gemüse	Drehzahl H 30 Sek., Stopp 2 Sek.; Drehzahl 6 10 Sek., Stopp 2 Sek.; Drehzahl H 60 Sek., Stopp 2 Sek.; Drehzahl 6 10 Sek., Ende. Gesamtdauer 1 Min. 56 Sek. Jeder Anlauf ist ein Softstart.
	Smoothies	Soft Start auf Drehzahl H für 8 Sek. und Stopp für 2 Sek. Wiederholen Sie den Zyklus, bis die Gesamtdauer 30 Sek. beträgt. Jeder Anlauf ist ein Softstart.

DE

DECKEL, MESSBECHER

- Setzen Sie den Messbecher in den Deckel ein, indem Sie die beiden Zapfen in den Schlitz am Deckel ausrichten und zum Verriegeln drehen. Dann schieben Sie den Deckel auf den Mischbehälter, um diesen zu verschließen. Um den Deckel zu öffnen, ziehen Sie die Lasche nach oben.

REINIGUNG UND AUFBEWAHRUNG

- Ziehen Sie den Stecker des Geräts aus der Steckdose.
- Tauchen Sie die Basis oder das Netzkabel nicht in Wasser oder andere Flüssigkeiten.
- Säubern Sie die Oberfläche des Mischbehälters mit einem weichen Tuch oder Schwamm. Der Messbecher kann zur Reinigung zerlegt werden.

- Der Mischbehälter kann mit Wasser ausgespült werden. Zum Reinigen können Sie auch 2 Becher Wasser in den Mischbehälter füllen, den Deckel schließen und den Mixer dann im Impulsmodus bedienen. Danach schütten Sie das Wasser weg und wischen den Mischbehälter mit einem weichen Tuch trocken.
 - Stellen Sie nach dem Reinigen den Mischbehälter zum Trocknen auf die Seite oder auf den Kopf (Hinweis 1). Tauchen Sie niemals den ganzen Behälter in Wasser.
- Reinigen Sie die Basis mit einem weichen Tuch. Tauchen Sie es NIEMALS in Wasser oder andere Flüssigkeiten.

Hinweis: Der Stampfer und der Mischbehälter dürfen nicht in der Spülmaschine gereinigt werden. **Hinweis:** Wenn Sie den Mischbehälter auf den Kopf stellen, beseitigen Sie das restliche Wasser mit einem trockenen Tuch. Stellen Sie ihn nicht in die Nähe eines Wasch- oder Spülbeckens, um Wasserspritzer auf den unteren Teil des Behälters zu vermeiden. Dies könnte ein Rosten der Lagerung verursachen, was die Leistung des Mixers beeinträchtigen würde.

BEDIENUNGSHINWEISE

DE

- Der Mixer kann nicht betrieben werden, wenn:
 - Der Behälter sitzt nicht fest auf der Basis.
 - Der Drehzahlregler ist auf variable Drehzahl eingestellt, bevor der Behälter fest auf der Basis sitzt.
 - Der Behälter während des Betriebs entfernt und wieder eingesetzt wird.
- Drehen Sie den Drehzahlregler zurück in die „OFF“-Position und stellen Sie sicher, dass der Behälter fest auf der Basis sitzt. Dadurch wird der Mixer zurückgesetzt.
- Wenn der Motor zu langsam wird, weil die Lebensmittel zu groß sind oder sich zu wenig Flüssigkeit im Behälter befindet, und wenn er über einen längeren Zeitraum läuft, wird das Temperaturüberwachungssystem ausgelöst und der Motor angehalten. Die rote LED blinkt mit einer Frequenz von 2 Hz. Trennen Sie in einem solchen Fall den Mixer von der Stromversorgung und stellen Sie ihn an einen gut gelüfteten Ort, um die Motortemperatur für ca. 45 Minuten abkühlen zu lassen. Das System wird zurückgesetzt und der Mixer kann wieder verwendet werden.
- Schließen Sie während der Verwendung den Deckel dicht, um Verbrühen durch Spritzer von heißen Flüssigkeiten zu verhindern.
- Halten Sie Hände und Utensilien außerhalb des Behälters, während der Motor läuft, um mögliche schwere Verletzungen und/oder Schäden zu vermeiden.
- Wenn Sie heiße Getränke wie Sojamilch oder heiße Suppe zubereiten, kontrollieren Sie, dass der Deckel fest auf dem Behälter sitzt, um ein Herunterfallen zu verhindern. Es empfiehlt sich, den Mixvorgang mit einer niedrigen Drehzahleinstellung zu beginnen und die Drehzahl dann schrittweise zu erhöhen oder den Impulsmodus zu verwenden.

- Bei der Zubereitung von Saucen (z. B. Mandelsauce, Marmelade und Erdnussauce) und Füllungen und bei der Verarbeitung von Nüssen füllen Sie zwischen 2 und 3 Becher Zutaten ein. Die Menge sollte weder zu groß noch zu klein sein. Halten Sie die Mixdauer unter 2 Minuten, um Brandgeruch aufgrund von Überhitzung zu vermeiden. Zu große Mengen können zu Überlastung und Überhitzung des Motors führen. Warten Sie in diesem Fall, bis die Motortemperatur sinkt, bevor Sie den Mixvorgang fortführen.
- Bevor Sie harte Lebensmittel oder Eiswürfel einfüllen, geben Sie bitte Flüssigkeit und weiche Lebensmittel hinein.
- Wenn der Mixvorgang abgeschlossen ist, warten Sie, bis die Schneidvorrichtung vollständig angehalten ist, bevor Sie den Mischbehälter abnehmen. Anderenfalls kann das Antriebsrad beschädigt werden.
- Wenn Sie einen versengten Geruch vom Mixer wahrnehmen, unterbrechen Sie sofort den Mixvorgang. Dieser kann durch Abrieb des Gummikissens am Basisteil verursacht sein, wenn dieses nicht ordnungsgemäß montiert ist.
- Wenn Sie zähe und klebrige Lebensmittel mit hoher Drehzahl mixen möchten, fangen Sie bitte mit einer niedrigen Drehzahl an. Wenn sich immer noch nichts dreht, trennen Sie das Gerät vom Netz und rühren Sie den Inhalt im Mischbehälter mit einem Gummiteigschaber o. Ä. durch, um die in den Lebensmittel eingeschlossene Luft herauszudrücken. Dann schließen Sie den Deckel und schalten das Gerät wieder an, um den Vorgang fortzusetzen.

Verwenden Sie das Gerät nicht länger als 10 Minuten am Stück.

DE

GEMÜSESUPPE

Für 3 Portionen

- 1/2 Avocado
- 1 Karotte
- 1 Selleriestange
- 1/2 Tomate
- 1/2 Paprika
- 1/4 Zwiebel
- 1/2 Knoblauchzehe
- 350 ml Wasser mit Fleischfond
- 100 ml Sahne
- Salz und Pfeffer

Das Wasser in einem Wasserkocher oder Topf zum Sieden bringen. Den Brühwürfel im heißen Wasser auflösen. Nun das Wasser in den Mischbehälter gießen. Das gesamte Gemüse und Sahne dazugeben und bei mittlerer Drehzahl 2–3 Minuten mixen.



GARANTIE

Wilfa gewährt auf dieses Produkt 5 Jahre Garantie ab Kaufdatum. Die Garantie deckt Produktionsfehler oder Mängel ab, die während der Garantiezeit auftreten. Ihr Kaufbeleg dient als Nachweis gegenüber dem Händler, wenn Sie Ihre Garantie in Anspruch nehmen.

DE

Die Garantie gilt nur für Produkte, die für Privathaushalte gekauft und dort verwendet werden. Die Garantie gilt nicht, wenn das Produkt gewerblich verwendet wird. Die Garantie gilt nicht bei unsachgemäßer oder fahrlässiger Verwendung, Nichtbefolgung der Anleitungen von Wilfa oder falls das Gerät modifiziert oder eine nicht-autorisierte Reparatur daran vorgenommen wird. Die Garantie gilt auch nicht für normalen Verschleiß und Abnutzung des Produkts, fehlerhafte Verwendung, mangelhafte Pflege, Verwendung einer falschen elektrischen Spannung oder:

- Nicht gemäß Bedienungsanleitung entkalkt
- Überlastung des Produkts
- Schäden am Glas
- Lackierung
- Teile, die normal abgenutzt sind
- Teile, bei denen ein regelmäßiger Austausch zu erwarten ist (z. B. Filter, Batterie usw.)

TECHNISCHE DATEN

220 V~240 V ~50 Hz, 1200 W

SUPPORT UND ERSATZTEILE

Support erhalten Sie auf **wilfa.com** und auf unserer Kundenservice-/Supportseite. Dort finden Sie Antworten auf häufig gestellte Fragen, Ersatzteile, Tipps und Tricks sowie alle unsere Kontaktdaten.

RECYCLINGFÄHIGKEIT



Diese Kennzeichnung weist darauf hin, dass das Produkt in der EU nicht über den Hausmüll entsorgt werden darf. Um mögliche Schäden für die Umwelt oder die menschliche Gesundheit durch unkontrollierte Abfallentsorgung zu vermeiden, recyceln Sie das Gerät verantwortungsvoll. Sie fördern so die nachhaltige Wiederverwendung von Materialressourcen. Um Ihr Altgerät zurückzugeben, nutzen Sie bitte eines der Rückgabe- und Sammelsysteme oder wenden Sie sich an den Händler, bei dem das Produkt gekauft wurde. Dort kann das Produkt kostenlos für ein umweltfreundliches Recycling zurückgenommen werden.

DE

NL

INHOUDSOPGAVE

88	BELANGRIJKE VEILIGHEIDSINSTRUCTIES
92	PRODUCTOVERZICHT
94	BEDIENINGSPANEEL
94	GEBRUIK
95	REINIGEN EN OPBERGEN
96	OPMERKINGEN OVER HET GEBRUIK
97	GROENTESOEP
98	GARANTIE
99	PRODUCTSPECIFICATIES
99	ONDERSTEUNING EN RESERVEONDERDELEN
99	RECYCLING

BELANGRIJKE VEILIGHEIDSINSTRUCTIES

- Lees deze gebruiksaanwijzing zorgvuldig voordat u het product gebruikt en bewaar deze voor toekomstige raadpleging.
- Controleer voordat u het snoer van het apparaat in het stopcontact steekt, of het elektrisch vermogen dat op het typeplaatje staat, overeenkomt met de stroomvoorziening in uw huis.
- De basis van dit apparaat nooit onderdompelen in water of enige andere vloeistof, noch onder de kraan afspoelen, zodat het risico op kortsluiting of een elektrische schok wordt voorkomen. Neem contact op met een erkende onderhoudstechnicus als er water in de basis zit.
- Maak het netsnoer of de stekker nooit schoon door deze onder te dompelen in water. Maak de stekkerpennen nooit schoon met een vochtige doek en steek de stekker nooit met natte handen in het stopcontact.
- Zorg dat de stekker van het apparaat stevig in het stopcontact zit. Een foutief ingestoken stekker kan tot oververhitting of een elektrische schok leiden.
- Als het snoer beschadigd is, moet de fabrikant, de servicemonteur of een soortgelijk gekwalificeerde persoon dit vervangen, om gevaarlijke situaties te voorkomen.

- Het apparaat nooit zonder toezicht achterlaten.
- Om ernstig letsel en/of schade te voorkomen, mag u uw handen en keukengerei nooit in de container steken wanneer de motor draait.
- Zet het apparaat nooit aan zonder dat er iets in de blenderkan zit.
- Om morsen te voorkomen, dient de blenderkan nooit meer vloeistof te bevatten dan de markering MAX.
- Het apparaat niet blootstellen aan warmtebronnen, zoals een radiator of zon die door een raam naar binnen schijnt.
- Geen doek onder het apparaat plaatsen, zodat een goede ventilatie is gegarandeerd.
- Alleen voor gebruik binnenshuis. Niet buiten of voor commerciële doeleinden gebruiken.
- Alleen gebruiken met het deksel op het apparaat. Bij de bereiding van hete of warme dranken, altijd het deksel en de maatbeker goed en op de juiste plaats vastklemmen, zodat verbranding als gevolg van uitspattende hete vloeistof wordt voorkomen.

NL

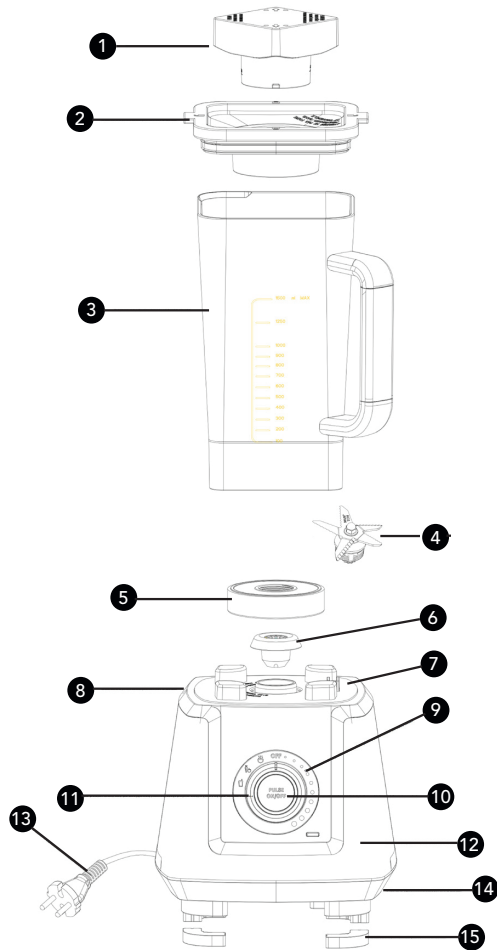
- Apparaten kunnen gebruikt worden door personen met een fysieke, zintuiglijke of mentale beperking en door mensen met een gebrek aan ervaring of kennis op voorwaarde dat zij het apparaat onder toezicht gebruiken of instructies gekregen hebben over de veilige manier waarop het apparaat gebruikt moet worden en de hieraan gerelateerde gevaren begrepen hebben.
- Kinderen moeten onder toezicht staan om ervoor te zorgen dat ze niet met het apparaat spelen.
- Kinderen mogen dit apparaat niet gebruiken. Houd het apparaat en het snoer uit de buurt van kinderen.
- Schakel het apparaat uit en haal de stekker uit het stopcontact voordat accessoires en/of onderdelen die tijdens het gebruik bewegen, worden vervangen.
- Haal de stekker uit het stopcontact als het apparaat niet in gebruik is, voordat u het apparaat inschakelt of onderdelen verwijdert en voordat u het apparaat reinigt.
- Als de motor oververhit is geraakt, wordt het temperatuurbewakingssysteem geactiveerd en stopt de motor. Schakel het apparaat uit, haal de stekker uit het stopcontact en laat de motor afkoelen. Het bewakingssysteem van de

motortemperatuur zal worden gereset na 45 minuten nadat de stekker van de blender uit het stopcontact is gehaald. Daarna kan de blender weer worden gebruikt.

- Het mes is erg scherp, wees voorzichtig bij het hanteren ervan. Probeer nooit de meseenheden uit elkaar te halen en raak nooit draaiende onderdelen aan.
- Onderhoud dient door een geautoriseerde servicetechnicus te worden uitgevoerd. Probeer nooit het apparaat uit elkaar te halen, te repareren of aan te passen.
- Voordat het apparaat wordt gemonteerd, gedemonteerd of gereinigd, of zonder supervisie wordt achtergelaten, dient het te allen tijde van de stroomvoorziening te worden losgekoppeld.

NL

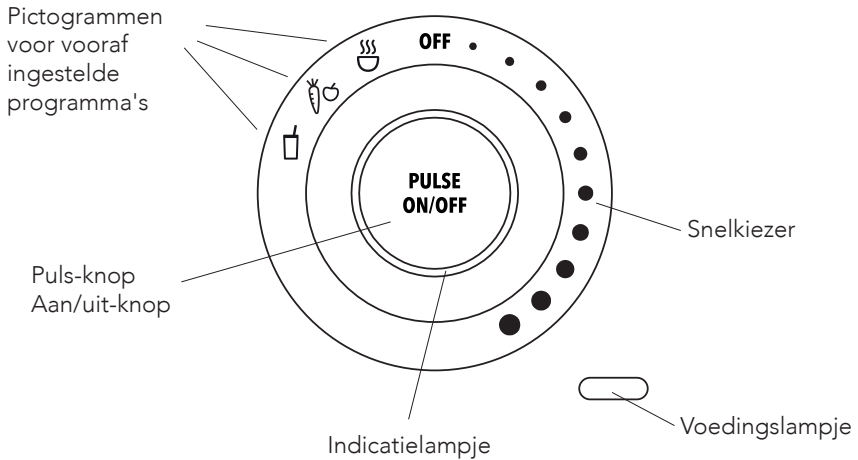
PRODUCTOVERZICHT



- | | | | |
|----|-------------------|-----|-----------------------|
| 1. | Maatbeker | 9. | Ronde lijst |
| 2. | Bovenkap | 10. | Puls/start/stop-knop |
| 3. | Blenderkan | 11. | Snelkiezer |
| 4. | Meseenheid | 12. | Motoreenheid |
| 5. | Mesopzetstuk | 13. | Netsnoer |
| 6. | Aandrijftandwiel | 14. | Onderkap |
| 7. | Blenderkanzitting | 15. | Rubberen antislipvoet |
| 8. | Deksel | | |

NL

BEDIENINGSPANEEL



GEBRUIK

Controleer of het elektrisch vermogen dat op het typeplaatje staat overeenkomt met uw elektriciteitsvoorziening.

NL

- **Stand-bymodus en energiebesparingsmodus:** Steek de stekker van de blender in het stopcontact en plaats de blenderkan op de basis. Het voedingslampje en het indicatielampje gaan rood branden; de blender staat nu in de stand-bymodus.




Als de blender 3 minuten niet wordt gebruikt, gaat de blender in de energiebesparingsmodus; het aan/uit-lampje blijft rood branden en het indicatielampje gaat uit. (Vanuit de energiebesparende modus gaat het apparaat in de stand-bymodus wanneer een toets wordt ingedrukt)

- **AAN/UIT-knop:** Deze knop is de AAN/UIT-toets voor de vooraf ingestelde programma's. Een geselecteerde vooraf ingestelde programmafunctie wordt alleen geactiveerd door op de AAN/UIT-knop te drukken. Door nogmaals op de AAN/UIT-knop te drukken, stopt het apparaat.
- **PULSE-knop:** Dit is de handmatige knop voor PULSE-bediening. Houd in de stand-bymodus de PULSE-knop ingedrukt terwijl de snelkiezer naar de OFF-stand wijst. In de PULSE-modus wordt de motor tot maximale snelheid verhoogd en brandt het indicatielampje wit. Wanneer u de PULSE-knop loslaat, keert de blender terug naar de stand-bymodus.
- **Snelheidsinstellingen:** Deze blender heeft 10 traploos instelbare snelheden. In de stand-bymodus draait u de snelkiezer vanuit de OFF-stand met de klok mee, waarna de blender met de bijbehorende snelheid werkt. Als u de snelkiezer met de klok mee blijft draaien, zal de snelheid geleidelijk toenemen en uiteindelijk

de maximale snelheid bereiken. Tijdens bedrijf wordt het werkindicatielampje wit. De blender schakelt na 10 minuten automatisch uit. Om de blender voor de volgende sessie te resetten, draait u de snelkiezer naar de OFF-stand.

- **Toets voor vooraf ingestelde programma's:** Om de vooraf ingestelde programma's te gebruiken, moet de blender eerst in de stand-bymodus staan, selecteer vervolgens de snelkiezer en draai deze vanuit de OFF-stand naar de gewenste vooraf ingestelde programma-instelling en druk daarna op de AAN/UIT-toets.

Om de blender tijdens de werking van een van de programma's te stoppen, drukt u op de AAN/UIT-knop om de blender te stoppen. Nadat het vooraf ingestelde programma klaar is, schakelt de blender terug naar de stand-bymodus.

Pictogram	Functie	Werkingscyclus
	Soep	Verhoogt tot snelheid 7 in 7 sec., verhoogt vervolgens tot snelheid H in 3 sec. en houdt deze snelheid vast tot het einde. De totale duur is 8 minuten. Elke start is een soft-start.
	Groenten	Snelheid H 30s, stop 2s; Snelheid 6 10s, stop 2s; Snelheid H 60s, stop 2s; Snelheid 6 10s, klaar. Totale werking is 1m 56s. Elke start is een soft-start.
	Smoothie	Soft start tot snelheid H gedurende 8 s en stop gedurende 2 s. Herhaalt de cyclus tot de totale werkingstijd 30 s is. Elke start is een soft-start.

NL

DEKSEL, MAATBEKER

- Plaats de maatbeker in het deksel door de twee lippen uit te lijnen in de sleuven op het deksel. Vervolgens draaien om te vergrendelen. Duw vervolgens het deksel op de blenderkan om het te sluiten. Trek de klep omhoog om het deksel te openen.

REINIGEN EN OPBERGEN

- Haal de stekker van het apparaat uit het stopcontact.
- Dompel de basis of het netsnoer niet onder in water of andere vloeistoffen.
- Reinig het oppervlak van de blenderkan met een zachte doek of spons. De maatbeker kan worden gedemonteerd voor reiniging.

- De blenderkan kan met water worden uitgespoeld. De blenderkan kan ook worden gereinigd door hem te vullen met twee kopjes water, het deksel te sluiten en de blender in de pulsmodus te laten draaien. Vervolgens het water uit de kan gieten en de kan vervolgens met een zachte doek drogen.
- Plaats de blenderkan na het reinigen op zijn zijkant of ondersteboven (opmerking 1) om te drogen. Nooit de hele kan in water onderdompelen.
- Reinig de basis met een zachte doek. **NOOIT** in water of een andere vloeistof onderdompelen.

Opmerking: Staaf en blenderkan mogen niet in een vaatwasser worden gewassen.

Opmerking: Als u de blenderkan ondersteboven plaatst, verwijder dan het resterende water met een droge doek. Plaats de kan niet in de buurt van de gootsteen om te voorkomen dat water op het onderste deel van de kan spat. Hierdoor kan het lager gaan roesten, wat de prestaties van de blender negatief beïnvloedt.

OPMERKINGEN OVER HET GEBRUIK

- De blender kan niet worden gebruikt als:
 - De kan niet stevig op de basis is geplaatst.
 - De snelkiezer naar variabele snelheid wordt gedraaid voordat de kan stevig op de basis is geplaatst.
 - De kan tijdens gebruik wordt verwijderd en weer wordt teruggeplaatst.
- U moet de snelkiezer terug naar OFF zetten en ervoor zorgen dat de kan stevig op de basis staat. Hierdoor wordt de blender gereset.
- Wanneer de motor als gevolg van te grote stukken voedsel tot een lage snelheid wordt vertraagd, of als er te weinig vloeistof in de kan aanwezig is en de blender gedurende langere tijd draait, zal het temperatuurbewakingsstelsel in werking treden en de motor worden uitgeschakeld. De rode LED knippert dan met een snelheid van 2 Hz. Haal in dat geval de stekker van de blender uit het stopcontact en laat hem gedurende ca. 45 minuten op een goed geventileerde plaats staan zodat de motor kan afkoelen. Het systeem zal worden gereset, waarna de blender weer kan worden gebruikt.
- Sluit het deksel goed zodat tijdens de werking geen verbranding kan optreden als gevolg van uitspattende hete vloeistoffen.
- Om ernstig letsel en/of schade te voorkomen, mag u uw handen en keukengerei nooit in de container steken wanneer de motor draait.
- Controleer of het deksel bij het bereiden van hete drank zoals sojamelk of soep stevig op de kan zit, zodat het er niet vanaf kan vallen. Geadviseerd wordt om de werking eerst op een lage snelheid te starten en daarna de snelheid geleidelijk te verhogen, of de pulsmodus te gebruiken.

- Tijdens de bereiding van sausen (bijv. amandelsaus, jam- en pindasaus), vullingen en noten, moet u maximaal ca. 2 tot 3 kopjes met ingrediënten gebruiken. De hoeveelheid dient niet te veel, noch te weinig te zijn. Zorg dat de mengtijd minder is dan 2 minuten, zodat een verbrande geur als gevolg van oververhitting wordt voorkomen. Een te grote hoeveelheid van de ingrediënten kan tot overbelasting en oververhitting van de motor leiden. Wacht in dat geval tot de temperatuur van de motor is gezakt voordat u het apparaat weer inschakelt.
- Eerst vloeistoffen en zachte ingrediënten toevoegen voordat u harde ingrediënten of ijsblokjes toevoegt.
- Als het proces gereed is, dient u te wachten met het afnemen van de blenderkan totdat de messen volledig zijn gestopt. Als u dit niet doet, kan het aandrijftandwiel beschadigd raken.
- Als u een brandgeur uit de blender opmerkt, dient het apparaat direct uitgeschakeld te worden. Dit kan worden veroorzaakt door het schuren van de rubberen kussenbasis als deze niet goed is gemonteerd.
- Bij het mengen van dikke en plakkerige ingrediënten op hoge snelheid dient het proces op lage snelheid gestart te worden. Als er nog steeds geen rotatie is, koppelt u de stroom los en roert u de inhoud van de blenderkan met een rubberen spatel om lucht uit het voedsel te verwijderen. Vervolgens het deksel plaatsen en het apparaat inschakelen om door te gaan met het mengproces.
- Nooit langer dan 10 minuten achtereen gebruiken.

NL

GROENTESOEP

Voor 3 personen

- ½ avocado
- 1 wortel
- 1 selderijstengel
- ½ tomaat
- ½ peper
- ¼ ui
- ½ knoflookteen
- 350 ml water met vleesbouillon
- 100 ml room
- Zout en peper

Kook het water met een waterkoker of in een sauspan. Los het bouillonblok op in heet water. Giet nu het water in de blenderkan. Voeg alle groenten en room toe en meng 2-3 minuten op gemiddelde snelheid.



GARANTIE

Wilfa biedt voor dit product een garantie van vijf jaar. Deze periode start op de dag van de aankoop. De garantie dekt storingen of defecten die tijdens de garantieperiode in het product optreden. Uw aankoopbon is uw garantiebewijs voor de verkoper als u aanspraak maakt op de garantie.

De garantie is uitsluitend geldig voor producten die voor huishoudelijke toepassing gekocht en gebruikt werden. De garantie is niet geldig als het product voor commerciële doeleinden gebruikt wordt. De garantie is niet geldig als het product onjuist of nalatig gebruikt werd, als de Wilfa-instructies niet opgevolgd zijn, als het apparaat gewijzigd werd of als er een ongeoorloofde reparatie uitgevoerd werd. De garantie is ook niet geldig voor normale slijtage van het product, verkeerd gebruik, gebrekkig onderhoud, gebruik van onjuiste elektrische spanning, of:

NL

- Niet ontkalkt volgens de instructies in de handleiding
- Overbelasting van het product
- Schade aan het glas
- De coating
- Onderdelen die normaal versleten zijn
- Onderdelen die regelmatig vervangen moeten worden (zoals filters, batterijen enz.)

PRODUCTSPECIFICATIES

220 V ~ 240 V ~ 50 Hz, 1200 W

ONDERSTEUNING EN RESERVEONDERDELEN

Ga voor ondersteuning naar **wilfa.com** en raadpleeg onze klantenservice-/ondersteuningspagina. Hier vindt u veelgestelde vragen, reserveonderdelen, tips en trucs en al onze contactgegevens.

RECYCLING



Deze markering geeft aan dat u dit product in de gehele Europese Unie niet met ander huishoudelijk afval mag meegeven. Om mogelijke schade aan het milieu of de gezondheid van mensen als gevolg van ongecontroleerde afvalverwijdering te voorkomen, dient het product op een verantwoorde manier gerecycled te worden om duurzaam hergebruik van materialen te stimuleren. Gebruik de retour- en inzamelingssystemen om uw gebruikte apparaat in te leveren, of neem contact op met de winkel waar u het product hebt gekocht. De winkel kan dit product in ontvangst nemen om het op veilige en milieuverantwoorde wijze te recyclen.

NL

PL

SPIS TREŚCI

- 102 WAŻNE INSTRUKCJE DOTYCZĄCE
BEZPIECZEŃSTWA
- 106 OPIS OGÓLNY PRODUKTU
- 108 PANEL STEROWANIA
- 108 SPOSÓB UŻYCIA
- 109 CZYSZCZENIE I PRZECHOWYWANIE
- 110 UWAGI DOTYCZĄCE OBSŁUGI
- 111 ZUPA WARZYWNA
- 112 GWARANCJA
- 113 DANE TECHNICZNE PRODUKTU
- 113 POMOC TECHNICZNA I CZĘŚCI ZAMIENNE
- 113 MOŻLIWOŚĆ RECYKLINGU

PL

WAŻNE INSTRUKCJE DOTYCZĄCE BEZPIECZEŃSTWA

- Przed użyciem uważnie przeczytaj niniejszą instrukcję obsługi i zachowaj ją na przyszłość.
- Przed podłączeniem urządzenia do zasilania sprawdź, czy wartości parametrów elektrycznych podane na tabliczce znamionowej urządzenia są zgodne z parametrami sieci elektrycznej w gospodarstwie domowym.
- Nigdy nie zanurzaj korpusu urządzenia w wodzie ani w innym płynie, ani nie wkładaj pod bieżącą wodę z kranu, aby nie spowodować zwarcia lub porażenia prądem elektrycznym. Jeśli do środka urządzenia dostanie się woda, skontaktuj się z przedstawicielem autoryzowanego serwisu.
- Nigdy nie myj przewodu zasilającego ani wtyczki w wodzie. Nie przecieraj wtyków wilgotną szmatką ani nie wkładaj wtyczki do gniazdka mokrymi dłońmi.
- Zwracaj uwagę na prawidłowe podłączanie urządzenia do gniazdka sieci elektrycznej. Wtyczka luźno włożona do gniazdka może spowodować pożar lub porażenie prądem.
- Jeśli przewód zasilający zostanie uszkodzony, musi zostać wymieniony przez producenta, autoryzowany serwis lub wykwalifikowanego elektryka, aby uniknąć zagrożenia.

PL

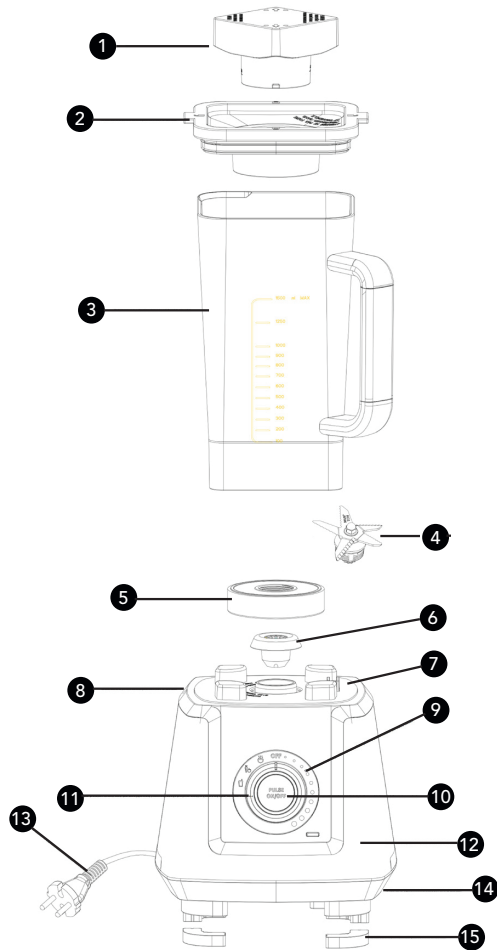
- Nigdy nie zostawiaj urządzenia bez nadzoru.
- Kiedy silnik działa, trzymaj dłonie i przybory kuchenne z dala od urządzenia, aby nie odnieść poważnych obrażeń i/lub nie spowodować szkód.
- Nie uruchamiaj urządzenia z pustym dzbankiem blendera.
- Aby zapobiec rozchłapywaniu, nie napełniaj dzbanka blendera płynem powyżej linii MAX.
- Nie narażaj urządzenia na bezpośrednie działanie gorąca np. z grzejnika lub promieni słonecznych padających przez szybę.
- Aby zapewnić dobrą wentylację, nie ustawiaj urządzenia na podłożu pokrytym tkaniną.
- Urządzenie jest przeznaczone wyłącznie do użytku wewnętrznego. Nie używaj na zewnątrz budynków ani do celów komercyjnych.
- Nigdy nie uruchamiaj bez założonej pokrywki. W przypadku miksowania gorących napojów zwracaj uwagę na prawidłowe zamocowanie pokrywki i korka z miarką, aby nie doprowadzić do rozpryskiwania gorącego płynu i poparzenia.

- Urządzenie może być używane przez osoby z niepełnosprawnością fizyczną, sensoryczną i umysłową oraz brakiem doświadczenia i wiedzy, pod warunkiem zapewnienia nadzoru lub udzielenia instrukcji dotyczących bezpiecznego korzystania z urządzenia oraz o ile taka osoba zdaje sobie sprawę z ewentualnych zagrożeń.
- Należy pilnować, aby dzieci nie bawiły się urządzeniem.
- To urządzenie nie może być używane przez dzieci. Przechowuj urządzenie wraz z przewodem poza zasięgiem dzieci.
- Wyłącz urządzenie i odłącz od zasilania przed zmianą akcesoriów lub wykonaniem czynności obsługowych w pobliżu ruchomych części.
- Kiedy urządzenie nie jest używane, przed demontażem części i przed czyszczeniem odłączaj przewód zasilający od gniazdka ściennego.
- W razie przegrzania silnika układ zabezpieczenia termicznego zatrzyma silnik. W takim przypadku wyłącz urządzenie i poczekaj aż silnik ostygnie. Układ zabezpieczenia termicznego zresetuje się, jeśli blender będzie odłączony od zasilania przez 45 minut. Po upływie tego czasu blender może być używany ponownie.

PL

- Ostrza są bardzo ostre — zachowaj ostrożność podczas czyszczenia. Nie próbuj demontować zespołu ostrzy ani dotykać żadnych ruchomych części.
- Wszelkie czynności serwisowe powinny być wykonywane tylko przez przedstawiciela autoryzowanego serwisu. Nie próbuj demontować, naprawiać ani modyfikować urządzenia.
- Zawsze odłączaj urządzenie od zasilania, jeśli pozostaje bez nadzoru, a także przed jego rozkładaniem, składaniem i czyszczeniem.

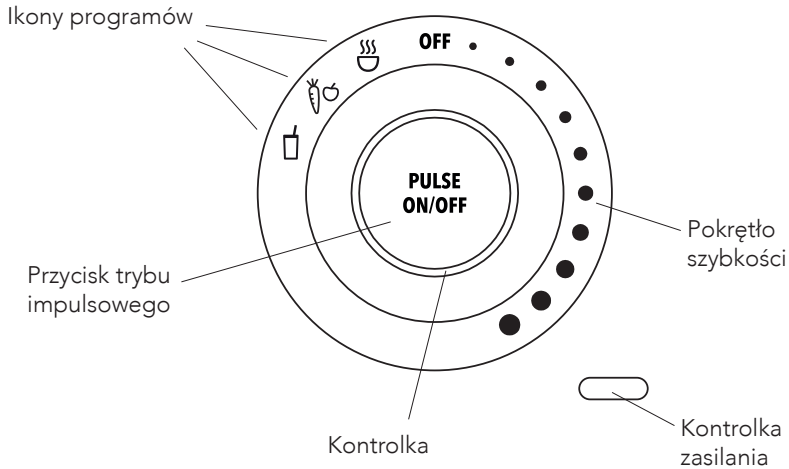
OPIS OGÓLNY PRODUKTU



- | | | | |
|----|--------------------------|-----|------------------------------|
| 1. | Miarka | 10. | Przycisk impuls/start/stop |
| 2. | Pokrywka | 11. | Pokrętło prędkości |
| 3. | Dzbanek blendera | 12. | Silnik |
| 4. | Zespół ostrzy | 13. | Przewód zasilania |
| 5. | Uchwyt ostrzy | 14. | Pokrywa dolna |
| 6. | Koło napędowe | 15. | Gumowa stopka antypoślizgowa |
| 7. | Gniazdo dzbanka blendera | | |
| 8. | Pokrywa górna | | |
| 9. | Tarcza pokrętła | | |

PL

PANEL STEROWANIA



SPOSÓB UŻYCIA

Sprawdź, czy wartości parametrów elektrycznych podane na tabliczce znamionowej urządzenia są zgodne z parametrami domowej sieci elektrycznej.

PL

- **Tryb gotowości i tryb oszczędzania energii:** Podłącz blender i ustaw dzbanek na podstawie. Kontrolka zasilania i kontrolka wskaźnika zaświecą się na czerwono; blender jest teraz w trybie gotowości.

Jeśli blender pozostanie w stanie bezczynności przez 3 minuty, przejdzie w tryb oszczędzania energii; lampka zasilania będzie nadal świecić na czerwono, a kontrolka wskaźnika zgaśnie. (Z trybu oszczędzania energii urządzenie przechodzi w tryb gotowości po naciśnięciu dowolnego przycisku)

- **Przycisk ON/OFF:** Ten przycisk służy do włączania/wyłączania wybranego programu. Po wybraniu programu, należy go aktywować przyciskiem ON/OFF. Ponowne naciśnięcie przycisku ON/OFF spowoduje zatrzymanie urządzenia.
- **Przycisk PULSE:** Jest to przycisk do obsługi trybu impulsowego.




W trybie gotowości, z pokrętkiem prędkości ustawionym w pozycji OFF (Wył.), przytrzymaj przycisk PULSE w dół, aby silnik przyspieszył do pełnej prędkości; kontrolka wskaźnika zaświeci się na biało. Po zwolnieniu przycisku PULSE blender powróci do trybu gotowości.

- **Ustawienia prędkości:** Ten blender ma 10 zmienianych bezstopniowo ustawień prędkości. W trybie gotowości obróć pokrętko prędkości w prawo z pozycji OFF, aby blender pracował z ustawioną prędkością. Przy ciągłym obracaniu pokrętki regulacji prędkości w prawo prędkość będzie

stopniowo zwiększana, aż do osiągnięcia prędkości maksymalnej. Podczas pracy kontrolka stanu świeci się na biało. Blender wyłączy się automatycznie po 10 minutach. Aby zresetować blender przed następną operacją, obróć pokrętkę prędkości z powrotem do pozycji OFF.

- **Przycisk programów:** Aby używać programów, przełącz blender w tryb gotowości, wybierz program, obracając pokrętkę prędkości z pozycji OFF do pozycji żądanego programu, a następnie naciśnij przycisk ON/OFF.

Aby zatrzymać blender w trakcie działającego programu, naciśnij przycisk ON/OFF. Po zakończeniu uruchomionego programu blender przełącza się w tryb gotowości.

Ikona	Funkcja	Cykl pracy
	Zupa	Zwiększa prędkość do poziomu 7 przez 7 s, a następnie zwiększa prędkość do H przez 3 s i utrzymuje tę prędkość do końca. Całkowity czas trwania wynosi 8 minut. Každy rozruch jest łagodny.
	Warzywa	Prędkość H 30 s, zatrzymanie 2 s; Prędkość 6 10 s, zatrzymanie 2 s; Prędkość H 60 s, zatrzymanie 2 s; Prędkość 6 10 s, zakończenie. Całkowity czas trwania wynosi 1 min 56 s. Každy rozruch jest łagodny.
	Smoothie	Łagodny rozruch do prędkości H przez 8 s i zatrzymanie na 2 s. Powtarza cykl, aż całkowity czas trwania wyniesie 30 s. Každy rozruch jest łagodny.

PL

POKRYWKA, MIARKA

- Włóż korek z miarką do pokrywki, wyrównując dwa wycięcia w szczelinach na pokrywce, przekręć, aby zablokować. Następnie załóż pokrywkę na dzbanek blendera, aby go zamknąć. Aby zdjąć pokrywkę, pociągnij klapę do góry.

CZYSZCZENIE I PRZECHOWYWANIE

- Odłącz urządzenie od gniazdka ściennego.
- Nie zanurzaj korpusu urządzenia ani przewodu zasilającego w wodzie ani w innych płynach.
- Oczyść powierzchnię dzbanka blendera miękką szmatką lub gąbką. Korek z miarką można ściągnąć w celu umycia.

- Dzbaneq blendera można myć w wodzie. Można go także umyć, nalewając 2 filiżanki wody i włączając w trybie impulsowym. Następnie należy wylać wodę i wysuszyć miękką ściereczką.
- Po umyciu połóż dzbanek blendera na boku lub dołem do góry (uwaga 1), aby wysychł. Nie zanurzaj całego dzbanka w wodzie.
- Wyczyść podstawę miękką szmatką. NIGDY nie zanurzaj w wodzie ani w innym płynie.

Uwaga: Nie myj mieszadła ani dzbanka blendera w zmywarce do naczyń.

Uwaga: Jeśli dzbanek blendera zostanie umieszczony w pozycji odwróconej, wytrzyj pozostałą wodę suchą szmatką. Nie stawiaj dzbanka blisko zlewu, aby nie dopuścić do rozpryskiwania wody na jego dolną część. To może powodować rdzewienie łożyska i niekorzystnie wpływać na działanie blendera

UWAGI DOTYCZĄCE OBSŁUGI

- Nie można używać blendera, jeśli:
 - Dzbaneq nie jest stabilnie umieszczony na podstawie.
 - Przed umieszczeniem dzbanka na podstawie pokrętko nie jest w położeniu 0.
 - Dzbaneq został zdjęty podczas pracy i odstawiony na miejsce.
- Ponownie ustaw pokrętko w pozycji OFF i sprawdź, czy dzbanek stabilnie stoi na podstawie. Ta czynność spowoduje zresetowanie blendera.
- Jeśli silnik napotka zbyt duży opór spowodowany zbyt dużymi kawałkami żywności lub zbyt małą ilością płynu i jeśli urządzenie będzie włączone przez zbyt długi czas, układ zabezpieczenia termicznego może wyłączyć silnik. Czerwona dioda LED będzie migać z częstotliwością 2 Hz. W takiej sytuacji wyłącz blender, odłącz go od zasilania i odstaw w dobrze wentylowane miejsce na co najmniej 45 minut, aby silnik ostygł. Układ zresetuje się i można będzie nadal korzystać z blendera.
- Kiedy używasz blendera, pamiętaj o mocnym domknięciu pokrywy, aby uniknąć rozpryskiwania gorących płynów i możliwych poparzeń.
- Kiedy silnik działa, trzymaj dłonie i przybory kuchenne z dala od urządzenia, aby nie odnieść poważnych obrażeń i/lub nie spowodować szkód.
- Kiedy przyrządzasz gorące płyny, jak mleko sojowe lub zupę, sprawdź, czy pokrywa jest dobrze zamknięta, aby nie spadła z dzbanka podczas pracy. Zaleca się rozpoczęcie pracy z niską prędkością, a następnie stopniowe zwiększanie prędkości lub skorzystanie z trybu PULSE.
- Podczas przygotowywania sosów (np. sosu z migdałów, dżemu, pasty sezamowej) lub farszów oraz siekania orzechów, wsyp do dzbanka od 2 do 3 filiżanek składników. Nie wsypuj zbyt dużo ani za mało składników. Podczas blendowania nie przekraczaj 2 minut, aby uniknąć zapachu spalenizny na

skutek przegrzania. Zbyt wiele składników może spowodować przeciążenie i przegrzanie silnika. W takim przypadku, przed ponownym włączeniem urządzenia odczekaj aż silnik ostygnie.

- Najpierw wlewaj płyny i wkładaj miękkie składniki, a dopiero potem twarde składniki lub kostki lodu.
- Po zakończeniu pracy nie zdejmuj dzbanka z korpusu, dopóki ostrza nie zatrzymają się całkowicie. W przeciwnym razie przekładnia napędowa może ulec uszkodzeniu.
- Jeśli z blendera czuć będzie woń spalenizny, natychmiast zakończ pracę. Przyczyną może być ścieranie się gumowej podkładki na podstawie, jeśli nie została prawidłowo zamocowana.
- W celu zblendowania gęstych i kleistych składników z dużą prędkością, zaczynaj blendowanie od niskiej prędkości. Jeśli ostrza nie blendują składników, odłącz zasilanie i gumowym mieszadłem ręcznie zamieszaj zawartość dzbanka w celu usunięcia pęcherzyków powietrza z blendowanej masy. Następnie zamknij pokrywkę i włącz urządzenie w celu kontynuowania procesu.
- Czas ciągłej pracy urządzenia nie powinien jednorazowo przekraczać 10 min.

ZUPA WARZYWNA

3 porcje

- ½ awokado
- 1 marchew
- 1 łodyga selera naciowego
- ½ pomidora
- ½ papryki
- ¼ cebuli
- ½ ząbka czosnku
- 350 ml bulionu mięsnego
- 100 ml śmietany
- Sól i pieprz

Zagotuj wodę w czajniku lub w garnku. Rozpuść kostkę bulionową w gorącej wodzie. Wlej wodę do dzbanka blendera. Dodaj wszystkie warzywa i śmietanę i blenduj na średniej prędkości przez 2–3 minuty.

PL



GWARANCJA

Firma Wilfa obejmuje ten produkt 5-letnią gwarancją od daty zakupu. Gwarancja obejmuje wady produkcyjne lub usterki wynikłe w okresie gwarancji. W przypadku roszczeń z tytułu gwarancji dowodem dla sprzedawcy jest paragon lub inny dokument potwierdzający zakup.

Gwarancja obejmuje wyłącznie produkty zakupione i używane na potrzeby indywidualnych gospodarstw domowych. Komercyjna eksploatacja produktu powoduje unieważnienie gwarancji. Gwarancja zostanie unieważniona w przypadku niewłaściwego używania produktu, niedbałości, postępowania niezgodnego z instrukcjami podanymi przez firmę Wilfa, a także w przypadku modyfikacji produktu lub jego nieautoryzowanej naprawy. Gwarancja nie obejmuje ponadto normalnego zużycia, użycia niezgodnego z przeznaczeniem, braku konserwacji, podłączenia do nieprawidłowego napięcia elektrycznego oraz:

PL

- Usuwania kamienia niezgodnie z instrukcją obsługi
- Przeciążenia produktu
- Uszkodzeń szkła
- Powłoki produktu
- Części, które zużywają się w wyniku normalnej eksploatacji
- Części, które należy regularnie wymieniać (np. filtr, akumulator itp.)

DANE TECHNICZNE PRODUKTU

220–240 V~ 50 Hz, 1200 W

POMOC TECHNICZNA I CZĘŚCI ZAMIENNE

Aby uzyskać pomoc techniczną, odwiedź stronę obsługi klienta/pomocy technicznej w naszej witrynie **wilfa.com**. Znajdziesz tam często zadawane pytania, listy części zamiennych, porady i wskazówki oraz wszystkie dane kontaktowe.

MOŻLIWOŚĆ RECYKLINGU



Ten znak wskazuje, że w Unii Europejskiej to urządzenie nie może być wyrzucane wraz z odpadami z gospodarstw domowych. Aby zapobiec możliwemu skażeniu środowiska lub zagrożeniom dla zdrowia ludzi z uwagi na niekontrolowaną utylizację odpadów, należy odpowiedzialnie przekazać je do recyklingu w celu promocji zrównoważonej gospodarki zasobami materiałowymi w zakresie ponownego użycia. Aby pozbyć się urządzenia po okresie eksploatacji, należy skorzystać z właściwego punktu zbiórki lub skontaktować się ze sprzedawcą, od którego kupiono produkt. W ten sposób produkt zostanie bezpłatnie przekazany do recyklingu bezpiecznego dla środowiska.

PL

FR

SOMMAIRE

- 116 CONSIGNES DE SÉCURITÉ IMPORTANTES
- 120 APERÇU DU PRODUIT
- 122 PANNEAU DE COMMANDE
- 122 UTILISATION
- 123 NETTOYAGE ET RANGEMENT
- 124 NOTES SUR LE FONCTIONNEMENT
- 125 POTAGE AUX LÉGUMES
- 126 GARANTIE
- 127 CARACTÉRISTIQUES DU PRODUIT
- 127 ASSISTANCE ET PIÈCES DÉTACHÉES
- 127 RECYCLAGE

FR

CONSIGNES DE SÉCURITÉ IMPORTANTES

- Lire intégralement cette notice et la conserver pour consultation ultérieure.
- Avant de brancher l'appareil, vérifier que la puissance électrique indiquée sur la plaque signalétique correspond à l'alimentation électrique de votre foyer.
- Ne jamais immerger la base de l'appareil dans l'eau ou tout autre liquide, ne pas la rincer à l'eau courante afin d'éviter tout risque de court-circuit ou de choc électrique. Si de l'eau pénètre dans la base, contacter un agent de SAV agréé.
- Ne jamais mettre le cordon d'alimentation ou la fiche dans l'eau pour le nettoyage. Ne pas essuyer les broches de la prise avec un chiffon humide, ni insérer la prise avec les mains mouillées.
- Brancher fermement et solidement l'appareil à la prise murale. Une prise mal branchée peut entraîner une surchauffe ou un choc électrique.
- Si le cordon d'alimentation est endommagé, le faire remplacer par le fabricant, un technicien de service ou une autre personne dotée de compétences similaires pour éviter tout danger.
- Ne jamais laisser l'appareil sans surveillance.

FR

- Ne pas introduire les mains ou des ustensiles dans le réservoir tant que le moteur tourne pour éviter tout risque de blessures graves ou de dommages.
- Ne pas faire fonctionner l'appareil lorsque le bol mélangeur du blender est vide.
- Pour éviter tout déversement, ne pas remplir le bol mélangeur du blender de liquide au-delà de la ligne MAX.
- Ne pas exposer l'appareil à une source de chaleur comme un radiateur ou la lumière du soleil à travers une vitre.
- Pour assurer une bonne ventilation, ne pas placer de chiffon sous l'appareil.
- Pour utilisation à l'intérieur uniquement. Ne pas utiliser à l'extérieur ou à des fins commerciales.
- Toujours faire fonctionner avec le couvercle bien en place. Lors du mixage de boissons chaudes, s'assurer que le couvercle et le bouchon doseur sont bien en place pour éviter toute brûlure en cas de projection de liquides chauds.
- Cet appareil peut être utilisé par des personnes en situation de handicap physique, mental ou sensoriel ou encore manquant de connaissances et d'expérience, à condition d'être surveillées

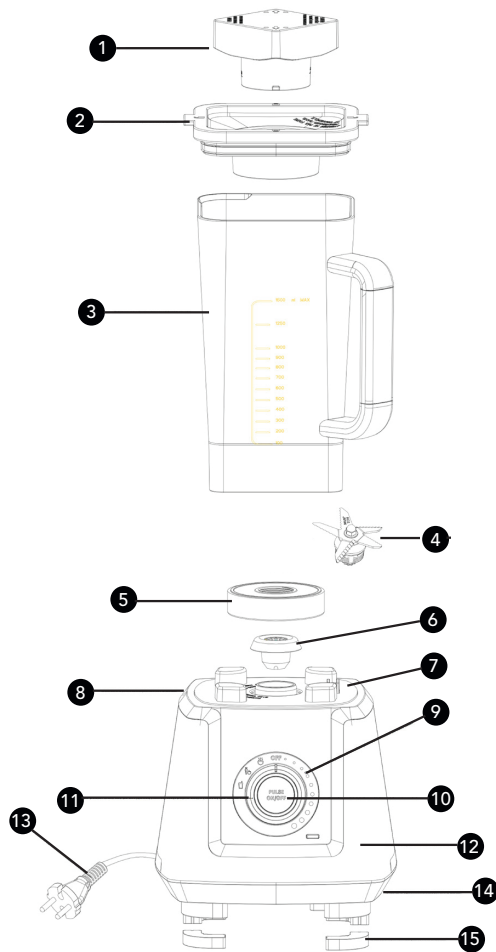
ou d'avoir reçu des instructions sur l'utilisation sûre de la machine, et si elles ont conscience des risques inhérents.

- Il faut veiller à ce que les enfants ne puissent pas jouer avec l'appareil.
- Cet appareil ne doit jamais être utilisé par des enfants. Tenir l'appareil et son cordon hors de portée des enfants.
- Éteindre et débrancher l'appareil avant tout changement d'accessoires, ou à proximité de pièces mobiles durant l'utilisation.
- Débrancher le cordon d'alimentation de la prise murale quand l'appareil n'est pas utilisé, avant d'ajouter ou de retirer des pièces, et avant le nettoyage.
- En cas de surchauffe du moteur, le système de surveillance de la température se déclenche et le moteur s'arrête. Éteindre et débrancher l'appareil, et laisser le moteur refroidir. Le système de surveillance de la température du moteur se réinitialise dès lors que le mixeur a été débranché de la prise murale pendant 45 minutes. Passé ce délai, le mixeur peut à nouveau être réutilisé.

FR

- La lame est très tranchante et doit être manipulée avec précaution. Ne pas tenter de démonter le bloc de lames, ni toucher les pièces rotatives.
- Toute opération de service technique doit être effectuée par un représentant de service SAV agréé. Ne pas tenter de démonter, réparer ou modifier l'appareil.
- Toujours débrancher l'appareil du secteur s'il doit rester sans surveillance, et avant tout assemblage, démontage et nettoyage.

APERÇU DU PRODUIT

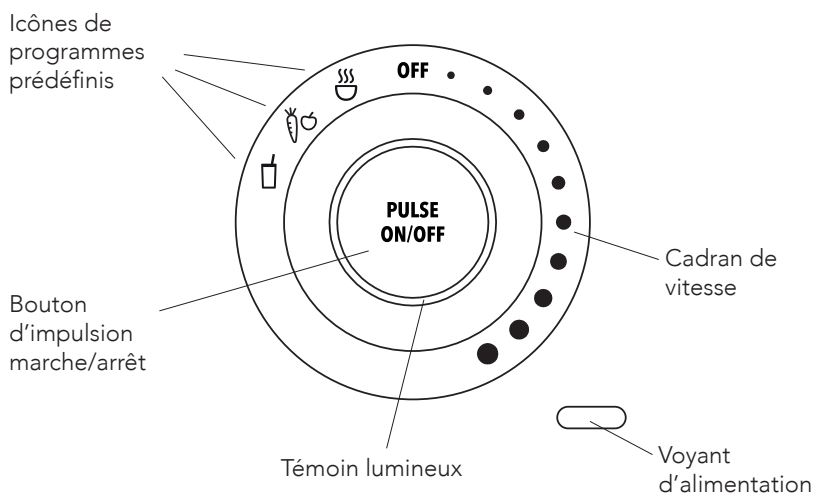


FR

- | | | | |
|-----|---------------------------------|-----|---------------------------------|
| 1. | Bouchon doseur | 11. | Contrôle de la vitesse |
| 2. | Couvercle | 12. | Unité moteur |
| 3. | Bol mélangeur | 13. | Cordon d'alimentation |
| 4. | Bloc de lames | 14. | Soacle |
| 5. | Fixation de la lame | 15. | Pied en caoutchouc antidérapant |
| 6. | Roue motrice | | |
| 7. | Base du bol mélangeur | | |
| 8. | Bloc supérieur | | |
| 9. | Cercle des fonctions | | |
| 10. | Bouton d'impulsion/marche/arrêt | | |

FR

PANNEAU DE COMMANDE



UTILISATION

Vérifier que la puissance électrique indiquée sur la plaque signalétique correspond à l'alimentation électrique de votre foyer.

- **Mode veille et mode d'économie d'énergie** : Brancher le blender et placer le bol mélangeur sur la base. Le témoin d'alimentation et le témoin lumineux s'allument en rouge ; le blender est maintenant en mode veille.




Si le blender reste inactif pendant 3 minutes, il passe en mode d'économie d'énergie ; le témoin d'alimentation reste allumé en rouge, tandis que le témoin lumineux s'éteint. (Une fois en mode d'économie d'énergie, l'appareil passe en mode veille lorsqu'une touche quelconque est activée)

- **Bouton marche/arrêt** : Il s'agit du bouton « MARCHE/ARRÊT » pour les programmes prédéfinis. Une fonction de programmes prédéfinis ne sera activée qu'en appuyant sur le bouton « MARCHE/ARRÊT ». Appuyer à nouveau sur ce bouton arrêtera l'appareil.
- **Bouton « IMPULSION »** : Il s'agit du bouton manuel pour l'impulsion. En mode veille, le cadran de vitesse orienté vers la position d'ARRÊT, maintenir enfoncé le bouton « IMPULSION » et le moteur passera à la vitesse maximale en mode « IMPULSION », et le témoin lumineux s'allumera en blanc. Une fois le bouton « IMPULSION » relâché, le blender repasse en mode veille.
- **Réglages de vitesse** : Ce blender dispose de 10 réglages de vitesse variables en continu. En mode veille, tourner le contrôle de la vitesse dans le sens des aiguilles d'une montre à partir de la position ARRÊT, et le blender fonctionnera à la vitesse correspondante. Si l'utilisateur continue de tourner le cadran de vitesse dans le

sens des aiguilles d'une montre, la vitesse augmentera progressivement pour finalement atteindre la vitesse maximale. Pendant le fonctionnement, le témoin lumineux de marche devient blanc. Le blender s'éteint automatiquement au bout de 10 minutes. Pour réinitialiser le blender pour l'opération suivante, tourner à nouveau le contrôle de la vitesse en position OFF.

- **Touche de programmes prédéfinis :** Pour utiliser les programmes prédéfinis, le blender doit d'abord être en mode veille. Ensuite, sélectionner et faire tourner le contrôle de la vitesse de la position d'arrêt au paramètre de programme prédéfini souhaité et, une fois terminé, appuyer sur le bouton « marche/arrêt ».

Pour arrêter le blender au cours de l'un des programmes, appuyer sur le bouton « marche/arrêt ». Après l'exécution du programme prédéfini, le blender repasse en mode veille.

Icône	Fonction	Cycle de fonctionnement
	Soupe	Augmente jusqu'à la vitesse 7 en 7 secondes, puis augmente jusqu'à la vitesse H en 3 secondes et maintient cette vitesse jusqu'à la fin. Durée totale de 8 minutes. Chaque démarrage est un démarrage en douceur.
	Légumes	Vitesse H 30 s, arrêt 2 s ; Vitesse 6, 10 s, arrêt 2 s ; Vitesse H, 60 s, arrêt 2 s ; Vitesse 6 10 s, fin. Le fonctionnement total est de 1 m 56 s. Chaque démarrage est un démarrage en douceur.
	Smoothie	Démarrage progressif à la vitesse H pendant 8 s et arrêt pendant 2 s. Répète le cycle jusqu'à ce que la durée totale de fonctionnement soit de 30 s. Chaque démarrage est un démarrage en douceur.

FR

COUVERCLE, BOUCHON DOSEUR

- Insérer le bouchon doseur dans le couvercle en alignant les deux languettes dans les fentes du couvercle et en tournant pour verrouiller. Pousser ensuite le couvercle sur le bol mélangeur pour le fermer. Pour ouvrir le couvercle, tirer le rabat vers le haut.

NETTOYAGE ET RANGEMENT

- Débrancher l'appareil de la prise murale.
- Ne pas plonger l'appareil, ni le cordon d'alimentation dans l'eau, ni dans aucun autre liquide.

- Nettoyer la surface du bol mélangeur à l'aide d'un chiffon doux ou d'une éponge. Le bouchon doseur peut être démonté pour être nettoyé.
- Le bol mélangeur du blender peut être rincé à l'eau. Il peut également être nettoyé en y versant 2 tasses d'eau, en fermant le couvercle, puis en actionnant le blender en mode Impulsion. Vider ensuite l'eau et sécher le bol à l'aide d'un chiffon doux.
- Après le nettoyage, placer le bol sur le côté ou à l'envers (Remarque 1) pour sécher. Ne pas immerger le bol entier dans l'eau.
- Nettoyer l'appareil de base avec un chiffon doux. Ne JAMAIS le plonger dans de l'eau ou dans d'autres liquides.

Remarque : Le bouchon inviolable et le bol ne doivent pas être lavés au lave-vaisselle.

Remarque : Si le bol est placé ouverture vers le bas, retirer l'eau résiduelle au moyen d'un chiffon sec. Ne pas le laisser près de l'évier afin d'éviter que des éclaboussures n'atteignent la partie inférieure du bol. Cela peut rouiller le support et nuire aux performances du blender.

NOTES SUR LE FONCTIONNEMENT

- Le blender ne peut pas être utilisé si :
 - Le bol mélangeur n'est pas fermement positionné sur la base.
 - Le contrôle de la vitesse est réglé sur vitesse variable avant que le bol ne soit fermement positionné sur la base.
 - Le bol mélangeur est retiré pendant le fonctionnement et remis en place.
- Tourner le contrôle en position « OFF » (ARRÊT) et s'assurer que le bol mélangeur est fermement positionné sur la base. Cela réinitialisera le blender.
- Si le moteur est forcé à ralentir en raison d'aliments trop gros ou si le niveau de liquide dans le bol mélangeur est insuffisant, et s'il fonctionne pendant une longue période, le système de surveillance de la température se déclenche et interrompt le fonctionnement du moteur. Le voyant rouge clignote à une fréquence de 2 Hz. Dans ce cas, débrancher le blender et le laisser dans un endroit bien ventilé pour refroidir la température du moteur pendant 45 minutes. Le système se réinitialise et le blender peut à nouveau être utilisé.
- Pendant que l'appareil est en marche, bien fermer le couvercle pour éviter toute brûlure en cas de projection de liquides chauds.
- Ne pas introduire les mains ou des ustensiles dans le réservoir tant que le moteur tourne pour éviter tout risque de blessures graves ou de dommages.
- En préparant des boissons chaudes comme du lait de soja ou de la soupe, vérifier que le couvercle est bien fixé au bol mélangeur pour éviter qu'il ne tombe. Il est conseillé de démarrer à petite vitesse, puis d'augmenter la

vitesse peu à peu, ou d'utiliser le mode Impulsion.

- Pour préparer des sauces (par exemple, crème aux amandes, confiture et sauce au sésame), des farces et mixer des noix, introduire 2 à 3 bouchons doseurs d'ingrédients. La quantité ne doit jamais être ni excessive ni insuffisante. Ne pas mixer pendant plus de 2 minutes pour éviter tout odeur de brûlé du fait d'une surchauffe. Une quantité excessive d'ingrédients peut entraîner une surcharge et la surchauffe du moteur. Dans ce cas, attendre jusqu'à ce que la température redescende avant de faire fonctionner l'appareil de nouveau.
- Commencer par mettre les aliments liquides et mous avant d'ajouter les aliments durs ou des glaçons.
- Une fois l'opération terminée, attendre que le bloc de lames soit parfaitement arrêté avant de retirer le bol mélangeur du blender. Dans le cas contraire, l'entraînement risque d'être endommagé.
- En cas d'odeur de brûlé, arrêter immédiatement l'appareil. Cela peut être dû à l'abrasion de la base du coussin en caoutchouc si celle-ci n'est pas correctement assemblée.
- Pour mixer des aliments épais et collants à grande vitesse, commencer l'opération à vitesse réduite. En l'absence de rotation, débrancher l'alimentation et remuer le contenu du bol mélangeur à l'aide d'une spatule en caoutchouc pour libérer l'air piégé dans les aliments. Fermer ensuite le couvercle et mettre l'appareil sous tension pour reprendre le fonctionnement.
- Ne pas laisser l'appareil fonctionner pendant plus de 10 minutes en continu.

POTAGE AUX LÉGUMES

Pour 3 personnes

- 1/2 avocat
- 1 carotte
- 1 bâton de céleri
- 1/2 tomate
- 1/2 poivron
- 1/4 oignon
- 1/2 gousse d'ail
- 350 ml d'eau avec bouillon de viande
- 100 ml de crème
- Sel et poivre

Faites bouillir l'eau à l'aide d'une bouilloire ou dans une casserole. Dissoudre le cube de bouillon dans l'eau chaude. Verser ensuite l'eau dans le bol mélangeur. Ajouter tous les légumes et la crème et mélanger à vitesse moyenne pendant 2 à 3 minutes.



GARANTIE

Wilfa offre une garantie de 5 ans sur ce produit à compter de la date d'achat. La garantie prend en charge les anomalies ou défauts de production survenant durant la période de garantie. Le reçu d'achat constitue votre preuve d'achat pour le revendeur en cas de recours à la garantie.

La garantie n'est valide que sur les produits achetés et utilisés pour un usage domestique. Elle n'est pas valide en cas d'utilisation commerciale du produit. La garantie ne s'applique pas en cas de mauvaise utilisation du produit, de négligence, de non-respect des consignes de Wilfa, de modification ou de réparation non autorisée. La garantie ne s'applique pas non plus en cas d'usure naturelle du produit, de mauvaise utilisation, de défaut d'entretien ou d'utilisation d'une tension électrique non adaptée ou :

- Détartrage non conforme aux instructions du mode d'emploi
- En cas de surcharge du produit
- Dommages survenus sur le verre
- Revêtement
- Aux pièces concernées par une usure naturelle
- Aux pièces devant être remplacées régulièrement (par exemple, filtre, pile, etc.)

FR

CARACTÉRISTIQUES DU PRODUIT

220 V~ 240 V~50 Hz, 1200 W

ASSISTANCE ET PIÈCES DÉTACHÉES

Pour toute demande d'assistance, consulter le site **wilfa.com** et la page de notre service client/d'assistance. Cette page propose des réponses aux questions les plus fréquentes, des informations sur les pièces détachées, des conseils et astuces ainsi que toutes nos coordonnées.

RECYCLAGE



Ce marquage indique que l'élimination de ce produit avec les déchets ménagers est proscrite dans toute l'Union européenne. Pour éviter tout impact négatif sur l'environnement ou la santé humaine en raison d'une élimination inadéquate des déchets, recycler l'appareil de manière responsable, afin d'encourager la réutilisation durable des ressources matérielles. Pour retourner l'appareil usagé, recourir aux systèmes de retour et de collecte, ou contacter le revendeur auprès duquel le produit a été acheté. Celui-ci pourra reprendre le produit pour un recyclage gratuit, respectueux de l'environnement.

FR

IT

SOMMARIO

130	IMPORTANTI ISTRUZIONI DI SICUREZZA
134	PANORAMICA DEL PRODOTTO
136	PANNELLO DI CONTROLLO
136	ISTRUZIONI PER L'USO
137	PULIZIA E CONSERVAZIONE
138	NOTE RELATIVE AL FUNZIONAMENTO
139	ZUPPA DI VERDURE
140	GARANZIA
141	SPECIFICHE DEL PRODOTTO
141	ASSISTENZA E RICAMBI
141	RICICLABILITÀ

IT

IMPORTANTI ISTRUZIONI DI SICUREZZA

- Leggere attentamente il presente manuale prima dell'uso e conservarlo per consultazioni future.
- Prima di collegare l'apparecchio alla rete elettrica, verificare che la potenza elettrica indicata sulla targhetta corrisponda alla potenza della rete di alimentazione domestica.
- Non immergere mai l'unità base dell'apparecchio in acqua o in altri liquidi e non sciacquarla sotto il rubinetto, per evitare il rischio di cortocircuito o scosse elettriche. Se è presente acqua all'interno dell'unità base, contattare un tecnico dell'assistenza autorizzato.
- Non immergere mai il cavo di alimentazione o la spina in acqua per la pulizia. Non pulire i poli della spina con un panno umido né inserire la spina con le mani bagnate.
- Collegare l'apparecchio alla presa a muro in modo saldo e sicuro. Una spina allentata può causare surriscaldamento o scosse elettriche.
- Se il cavo di alimentazione è danneggiato, la sostituzione spetta al produttore, a un suo addetto alla manutenzione o a un tecnico ugualmente qualificato al fine di evitare pericoli.
- Non lasciare mai l'apparecchio incustodito.

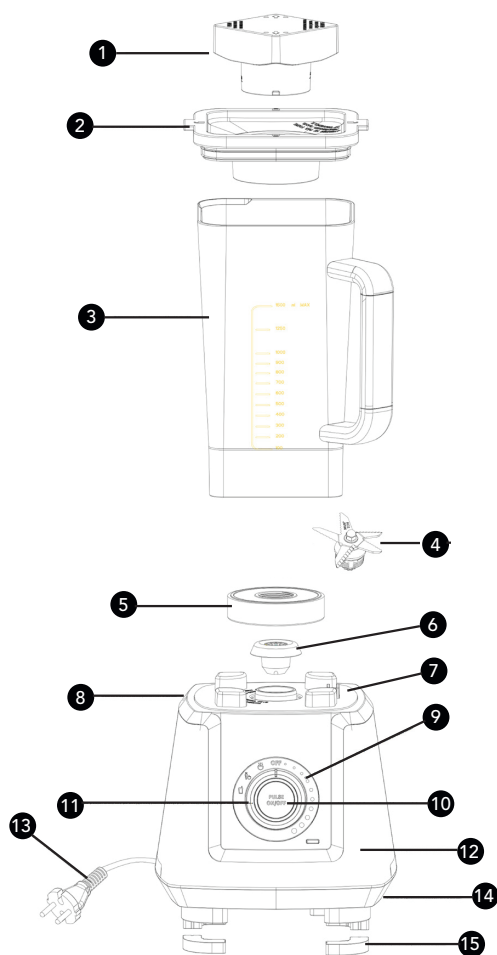
- Tenere le mani e gli utensili fuori dal contenitore mentre il motore è in funzione, per evitare il rischio di lesioni gravi e/o danni.
- Non azionare l'apparecchio senza aver caricato la caraffa del frullatore.
- Per evitare fuoriuscite, non riempire la caraffa del frullatore con liquido al di sopra della linea MAX.
- Non esporre l'apparecchio a fonti di calore come radiatori o luce diretta del sole attraverso una finestra.
- Per garantire una buona ventilazione, non posizionare alcun panno sotto l'apparecchio.
- Solo per uso interno. Non utilizzare all'aperto o per scopi commerciali.
- Azionare sempre con il coperchio in posizione. Quando si preparano bevande calde, fissare correttamente il coperchio e il misurino per evitare scottature dovute alla spruzzatura di liquidi caldi.
- L'apparecchio può essere utilizzato da persone con ridotte capacità fisiche, sensoriali, mentali o prive di esperienza e conoscenza, purché siano sorvegliate o abbiano ricevuto istruzioni relative all'uso sicuro dell'apparecchio e ne comprendano i pericoli.

- Sorvegliare i bambini per assicurarsi che non giochino con l'apparecchio.
- Questo elettrodomestico non deve essere utilizzato da bambini. Tenere l'apparecchio e il relativo cavo fuori dalla portata dei bambini.
- Spegnerne l'apparecchio e scollegarlo dall'alimentazione prima di cambiare gli accessori o di avvicinarsi a parti in movimento.
- Scollegare il cavo di alimentazione dalla presa a muro quando l'apparecchio non è in uso, prima di montare o rimuovere componenti e prima della pulizia.
- Se il motore si è surriscaldato, si attiva il sistema di monitoraggio della temperatura e il motore si arresta. Spegnerne l'apparecchio, scollegarlo dalla presa di corrente e lasciare raffreddare il motore. Il sistema di monitoraggio della temperatura del motore viene resettato dopo aver scollegato il frullatore dalla presa a muro per 45 minuti. Trascorso questo tempo, il frullatore può essere riutilizzato.
- La lama è molto affilata, quindi, maneggiarla con cautela. Non tentare di smontare il gruppo lame né toccare parti rotanti.

IT

- Qualsiasi intervento di manutenzione deve essere eseguito da un tecnico dell'assistenza autorizzato. Non tentare di smontare, riparare o modificare l'apparecchio.
- Scollegare sempre l'elettrodomestico dall'alimentazione se viene lasciato incustodito e prima di procedere al montaggio, allo smontaggio o alla pulizia.

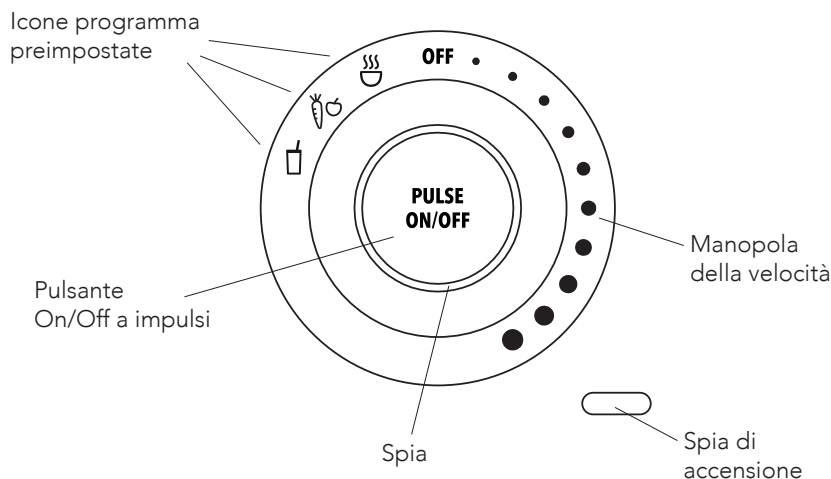
PANORAMICA DEL PRODOTTO



IT

- | | | | |
|----|--|-----|---|
| 1. | Misurino | 9. | Profilo circolare |
| 2. | Coperchio | 10. | Pulsante di azionamento a impulsi/avvio/arresto |
| 3. | Caraffa del frullatore | 11. | Manopola della velocità |
| 4. | Gruppo lame | 12. | Unità motore |
| 5. | Supporto della lama | 13. | Cavo di alimentazione |
| 6. | Ingranaggio di trasmissione | 14. | Coperchio inferiore |
| 7. | Alloggiamento della caraffa del frullatore | 15. | Piedino in gomma antiscivolo |
| 8. | Coperchio superiore | | |

PANNELLO DI CONTROLLO






ISTRUZIONI PER L'USO

Prima di collegare l'apparecchio alla rete elettrica, verificare che la potenza elettrica indicata sulla targhetta corrisponda alla potenza della rete di alimentazione domestica.

- **Modalità standby e modalità di risparmio energetico:** Collegare il frullatore e posizionare la caraffa sull'unità base. La spia di alimentazione e la spia luminosa diventano rosse; il frullatore è ora in modalità stand-by.
Se il frullatore rimane inattivo per 3 minuti, passa in modalità di risparmio energetico; la spia di alimentazione rimane accesa con una luce rossa, mentre la spia si spegne. (Premendo un tasto qualsiasi, dalla modalità di risparmio energetico, l'unità passa in modalità di stand-by)
- **Pulsante ON/OFF:** Questo pulsante è il tasto ON/OFF per i programmi preimpostati. Una funzione di programma preimpostata selezionata viene attivata solo premendo il pulsante ON/OFF. Premendo nuovamente il pulsante ON/OFF l'unità si arresta.
- **Pulsante PULSE:** Il pulsante manuale per il funzionamento a IMPULSI.
In modalità stand-by, con la manopola della velocità rivolta verso la posizione OFF, tenere premuto il pulsante PULSE e il motore raggiungerà la massima velocità in modalità PULSE, mentre la spia diventerà bianca. Quando si rilascia il pulsante PULSE, il frullatore torna in modalità stand-by.
- **Impostazioni di velocità:** Questo miscelatore è dotato di 10 impostazioni di velocità variabili ininterrotte. In modalità stand-by, ruotare la manopola della velocità in senso orario dalla posizione OFF e il frullatore funzionerà alla velocità corrispondente. Continuando a ruotare la manopola della velocità

in senso orario, la velocità aumenta gradualmente, raggiungendo infine la velocità massima. Durante il funzionamento, la spia dell'indicatore di lavoro diventa bianca. Il frullatore si spegne automaticamente dopo 10 minuti. Per ripristinare il frullatore per l'operazione successiva, riportare la manopola della velocità in posizione OFF.

- **Tasto programma preimpostato:** Per utilizzare i programmi preimpostati, assicurarsi che il frullatore si trovi in modalità Stand-By, quindi selezionare e ruotare la manopola della velocità dalla posizione OFF all'impostazione di programma preimpostato desiderata e, al termine, premere il pulsante ON/OFF. Per arrestare il frullatore durante il funzionamento di uno dei programmi, premere il pulsante ON/OFF. Dopo l'esecuzione del programma preimpostato, il frullatore torna in modalità standby.

Icona	Funzione	Ciclo operativo
	Zuppa	Aumenta alla velocità 7 in 7 sec, quindi aumenta alla velocità H in 3 sec e mantiene questa velocità fino al termine. La durata totale è di 8 minuti. Ogni avviamento è ad accensione graduale.
	Verdure	Velocità H 30s, arresto 2s; Velocità 6 10s, arresto 2s; Velocità H 60s, arresto 2s; Velocità 6 10s, conclusione. Il funzionamento totale è di 1m 56s. Ogni avviamento è ad accensione graduale.
	Frullato	Accensione graduale alla velocità H per 8 s e arresto per 2 s. Ripetere il ciclo fino a quando il tempo totale di funzionamento è 30s. Ogni avviamento è ad accensione graduale.

COPERCHIO, MISURINO

- Inserire il misurino nel coperchio allineando le due linguette nelle fessure sul coperchio e ruotare per bloccare. Quindi premere il coperchio sulla caraffa del frullatore per chiuderla. Per aprire il coperchio, tirate la linguetta verso l'alto.

IT

PULIZIA E CONSERVAZIONE

- Scollegare l'apparecchio dalla presa a muro.
- Non immergere l'unità base o il cavo di alimentazione in acqua o in altri liquidi.
- Pulire la superficie della caraffa del frullatore con un panno morbido o una spugna. Smontare il misurino per pulirlo.

- La caraffa del frullatore può essere risciacquata con acqua. Può anche essere pulita versando 2 tazze d'acqua nella caraffa del frullatore, chiudendo il coperchio e poi facendo funzionare il frullatore in modalità a impulsi. Quindi eliminare l'acqua, risciacquare con acqua pulita e asciugare con un panno morbido.
- Dopo la pulizia, posizionare la caraffa del frullatore su un lato o capovolta (Nota 1) per asciugarla. Non immergere l'intera caraffa in acqua.
- Pulire l'unità base con un panno morbido. Non immergere MAI in acqua o in altri liquidi.

Nota: Non lavare il pressino e la caraffa del frullatore in lavastoviglie.

Nota: Se si mette la caraffa del frullatore in posizione capovolta, rimuovere l'acqua residua con un panno asciutto. Non lasciarla vicino alla vaschetta di raccolta acqua per evitare che l'acqua schizzi sulla parte inferiore della caraffa. In questo modo potrebbe formarsi della ruggine nel cuscinetto, con conseguenze negative sulle prestazioni del miscelatore.

NOTE RELATIVE AL FUNZIONAMENTO

- Il frullatore non può essere utilizzato se:
 - La caraffa non è saldamente posizionata sulla base.
 - La manopola della velocità ruota a velocità variabile prima che la caraffa sia posizionata saldamente sulla base.
 - La caraffa viene rimossa durante il funzionamento e riposizionata.
- È necessario riportare la manopola della velocità sulla posizione "OFF" (SPENTO) e assicurarsi che la caraffa sia posizionata saldamente sulla base. In questo modo il frullatore viene resettato.
- Se il motore viene costretto a rallentare a causa di alimenti di dimensioni eccessive o di liquido insufficiente nella caraffa, e se funziona per un lungo periodo, il sistema di monitoraggio della temperatura si attiva, arrestando il funzionamento del motore. Il LED rosso lampeggerà a una frequenza di 2 Hz. In questo caso, scollegare il frullatore e lasciarlo in un luogo ben ventilato per 45 minuti, per raffreddare la temperatura del motore. Il sistema verrà resettato e il frullatore potrà essere riutilizzato.
- Durante il funzionamento, chiudere bene il coperchio per evitare scottature dovute alla spruzzatura di liquidi caldi.
- Tenere le mani e gli utensili fuori dal contenitore mentre il motore è in funzione, per evitare il rischio di lesioni gravi e/o danni.
- Quando si preparano pietanze calde come latte di soia o zuppe calde, verificare che il coperchio sia fissato saldamente alla caraffa per evitare che cada. Si consiglia di avviare il funzionamento a bassa velocità, quindi aumentare gradualmente la velocità o utilizzare la modalità PULSE (modalità di azionamento a impulsi).

- Quando si preparano salse (ad es. burro di mandorle, marmellata e salsa al sesamo), ripieni o quando si lavora la frutta secca, versare da 2 a 3 tazze di ingredienti. La quantità non deve essere né troppo grande né troppo piccola. Mantenere il tempo di miscelazione al di sotto di 2 minuti per evitare l'odore di bruciato dovuto al surriscaldamento. Una quantità eccessiva di ingredienti può causare un sovraccarico e un surriscaldamento del motore. In questo caso, attendere che la temperatura del motore scenda prima di rimetter in funzione il frullatore.
- Aggiungere liquidi e alimenti morbidi prima di mettere i cibi duri o i cubetti di ghiaccio.
- Al termine dell'operazione, attendere che il gruppo lame si arresti completamente prima di rimuovere la caraffa del frullatore. In caso contrario, l'ingranaggio di trasmissione potrebbe danneggiarsi.
- Se si nota un odore di bruciato proveniente dal frullatore, interrompere immediatamente il funzionamento. Tale odore può essere causato per abrasione della base del cuscinetto, se questo non è montato correttamente.
- Quando si miscelano alimenti densi e appiccicosi ad alta velocità, avviare il funzionamento a bassa velocità. Se la rotazione è ancora assente, scollegare l'alimentazione e mescolare il contenuto della caraffa del frullatore utilizzando uno sbattitore in gomma per espellere l'aria intrappolata negli alimenti. Quindi chiudere il coperchio e riaccendere il frullatore per riprendere l'operazione.
- Non utilizzare l'apparecchio per più di 10 minuti alla volta.

ZUPPA DI VERDURE

Per 3 persone

- ½ avocado
- 1 carota
- 1 ramo di sedano
- ½ pomodoro
- ½ peperone
- ¼ di cipolla
- ½ spicchio d'aglio
- 350 ml di acqua con brodo di carne
- 100 ml di panna
- Sale e pepe

Bollire l'acqua in un bollitore o in una casseruola. Sciogliere il dado in acqua calda. Versare l'acqua nella caraffa del frullatore. Aggiungere tutte le verdure e la panna e mescolare a velocità media per 2-3 minuti.



GARANZIA

Wilfa rilascia una garanzia di 5 anni su questo prodotto a partire dal giorno dell'acquisto. La garanzia copre i guasti o i difetti di produzione che si verificano durante il periodo di garanzia. La ricevuta d'acquisto funge da prova nei confronti del rivenditore in caso di richiesta di garanzia.

La garanzia è valida solo per i prodotti acquistati e utilizzati in ambiente domestico. La garanzia non è valida se il prodotto viene utilizzato per scopi commerciali. La garanzia non è valida se il prodotto viene utilizzato in modo improprio o negligente, se le istruzioni fornite da Wilfa non vengono rispettate, se viene modificato o se viene effettuata una riparazione non autorizzata. La garanzia non è valida anche in caso di normale usura del prodotto, uso improprio, mancanza di manutenzione, uso di tensioni elettriche errate o:

- Decalcificazione effettuata in maniera non conforme al manuale di istruzioni
- Sovraccarico del prodotto
- Danni al vetro
- Usura del rivestimento
- Parti normalmente usurate
- Componenti di cui si prevede la regolare sostituzione (ad es. filtro, batteria, ecc.)

SPECIFICHE DEL PRODOTTO

220 V~240 V~50 Hz, 1200 W

ASSISTENZA E RICAMBI

Per ricevere assistenza, visitare il sito **wilfa.com** e consultare la nostra pagina dedicata all'assistenza clienti. In questa sezione è possibile trovare domande frequenti, ricambi, consigli, suggerimenti e tutte le nostre informazioni di contatto.

RICICLABILITÀ



Questo marchio indica che il prodotto non deve essere smaltito insieme ad altri rifiuti domestici nell'intera area UE. Al fine di evitare possibili danni all'ambiente o alla salute umana derivanti dallo smaltimento incontrollato dei rifiuti, riciclare in modo responsabile allo scopo di promuovere il riutilizzo sostenibile delle risorse materiali. Per restituire un dispositivo dismesso, servirsi dei sistemi di restituzione e raccolta o contattare il rivenditore presso il quale è stato acquistato il prodotto. Questo prodotto può essere smaltito presso un centro di riciclaggio ecologico gratuito.

IT

ES

CONTENIDO

144	INSTRUCCIONES DE SEGURIDAD IMPORTANTES
148	VISTA GENERAL DEL PRODUCTO
150	PANEL DE CONTROL
150	USO
151	LIMPIEZA Y MANTENIMIENTO
152	NOTAS SOBRE EL FUNCIONAMIENTO
153	SOPA DE VERDURAS
154	GARANTÍA
155	ESPECIFICACIONES DEL PRODUCTO
155	ASISTENCIA Y REPUESTOS
155	RECICLADO

ES

INSTRUCCIONES DE SEGURIDAD IMPORTANTES

- Lea detenidamente este manual antes de utilizar el aparato y guárdelo para futuras consultas.
- Antes de enchufar el aparato, compruebe que las especificaciones eléctricas indicadas en la placa de características se corresponden con el suministro eléctrico de su hogar.
- Nunca sumerja la unidad base del aparato en agua ni en otro líquido, ni la enjuague bajo el grifo para evitar el riesgo de cortocircuito o descarga eléctrica. Si hay agua en el interior de la unidad base, póngase en contacto con un agente del servicio técnico autorizado.
- No introduzca nunca en agua el cable de alimentación ni el enchufe para limpiarlos. No limpie las clavijas del enchufe con un paño húmedo, ni inserte el enchufe con las manos mojadas.
- Enchufe el aparato a la toma de corriente de la pared de forma firme y segura. Si el enchufe está flojo, podría sobrecalentarse o crear riesgos de descargas eléctricas.
- Si el cable de alimentación está dañado, deberá sustituirlo el fabricante, el representante del servicio técnico o electricistas cualificados para evitar cualquier riesgo.

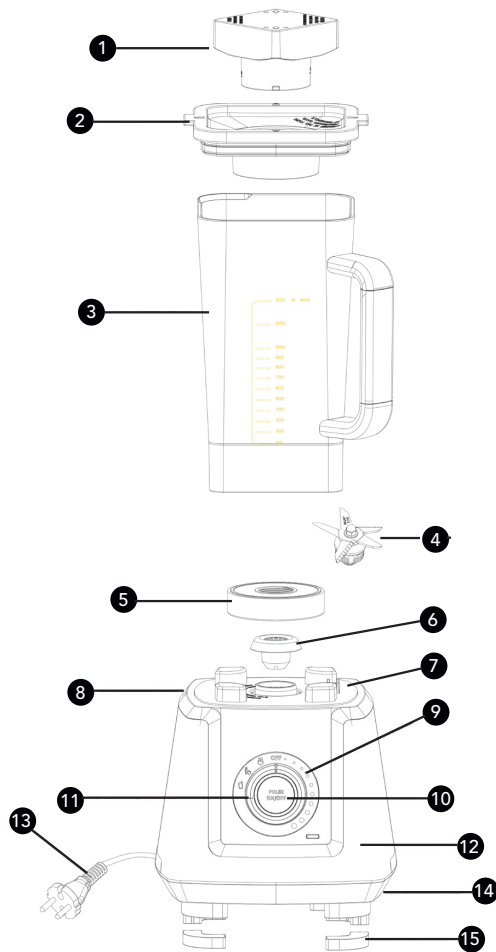
- No deje nunca el aparato sin supervisión.
- Mantenga las manos y los utensilios alejados del vaso cuando está en marcha el motor para evitar lesiones graves y/o daños en el aparato.
- No ponga en marcha el aparato sin colocar el vaso de la batidora.
- Para evitar derrames, no llene de líquido el vaso de la batidora por encima de la línea MAX.
- No exponga el aparato a fuentes de calor, como radiadores ni a la luz del sol que entra por la ventana.
- Para garantizar una buena ventilación, no coloque paños debajo del aparato.
- Solo para uso en interiores. No usar en exteriores ni con fines comerciales.
- Use el aparato siempre con la tapa colocada. Al procesar bebidas calientes, asegure correctamente la tapa y el vaso de medición para evitar quemaduras por salpicaduras de líquidos calientes.
- Los aparatos electrodomésticos pueden ser utilizados por personas con discapacidad física, sensorial o mental, o falta de experiencia y conocimientos, si se les supervisa o se les instruye

sobre el uso seguro del aparato y si entienden los peligros que entraña su uso.

- Se debe supervisar a los niños para asegurarse de que no jueguen con el aparato.
- Este aparato no debe ser utilizado por niños. Mantenga el aparato y su cable fuera del alcance de los niños.
- Apague el aparato y desconéctelo del suministro eléctrico antes de cambiar los accesorios o trabajar cerca de las piezas que se mueven cuando está en uso.
- Desenchufe el cable de alimentación de la toma de corriente cuando no utilice el aparato, antes de montar o desmontar piezas y antes de limpiarlo.
- Si el motor se ha sobrecalentado, el sistema de control de temperatura se activará y los detendrá. Apague y desenchufe el aparato, y deje que el motor se enfríe. El sistema de control de la temperatura del motor se reiniciará después de desenchufar la batidora de la toma de corriente durante 45 minutos. Transcurrido este tiempo, la batidora puede volver a utilizarse.
- La cuchilla está muy afilada, por lo que debe tener cuidado al manipularla. No intente desmontar el bloque de cuchillas ni tocar ninguna pieza giratoria.

- Cualquier tarea de servicio la debe realizar un representante del servicio técnico autorizado. No intente desmontar, reparar ni modificar el aparato.
- Desconecte siempre el aparato del suministro eléctrico si se deja desatendido y antes de su montaje, desmontaje o limpieza.

VISTA GENERAL DEL PRODUCTO

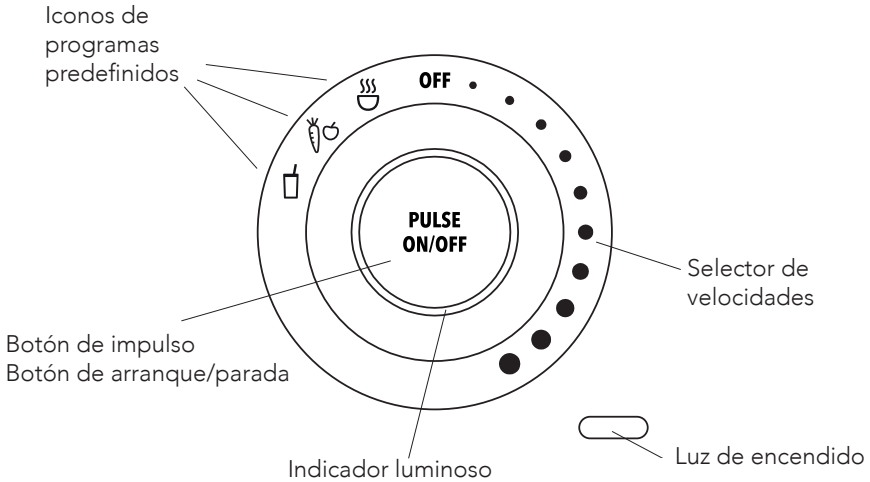


- | | | | |
|----|---|-----|----------------------------------|
| 1. | Vaso de medición | 10. | Botón de impulso/arranque/parada |
| 2. | Tapa | 11. | Selector de velocidades |
| 3. | Vaso de la batidora | 12. | Unidad del motor |
| 4. | Conjunto de cuchillas | 13. | Cable de alimentación |
| 5. | Montura de la cuchilla | 14. | Cubierta inferior |
| 6. | Engranaje | 15. | Pata de goma antideslizante |
| 7. | Base del vaso de la batidora | | |
| 8. | Cubierta superior | | |
| 9. | Indicador de posiciones de funcionamiento | | |

ES

ES

PANEL DE CONTROL






USO

Compruebe que las especificaciones eléctricas indicadas en la placa de características se corresponden con el suministro eléctrico de su hogar.

- **Modo de espera y modo de ahorro de energía:** Enchufe la batidora y coloque el vaso de la batidora en la unidad base. La luz de encendido y el indicador luminoso se iluminarán en color rojo indicando que la batidora de vaso está en modo de espera. Si la batidora de vaso permanece inactiva durante 3 minutos, pasará al modo de ahorro de energía y la luz de encendido permanecerá iluminada en color rojo, mientras que el indicador luminoso se apagará (desde el modo de ahorro de energía, la unidad pasará al modo de espera al pulsar cualquier botón).
- **Botón de arranque/parada (ON/OFF):** Este botón es la tecla de arranque/parada de los programas predefinidos. La función del programa predefinido seleccionado solo se activará al pulsar el botón de arranque/parada. Al pulsar de nuevo este botón, la unidad se detiene.
- **Botón de impulso (PULSE):** Este es el botón manual para activar la función de IMPULSO. En el modo de espera, con el selector de velocidades en la posición OFF, mantenga pulsado el botón PULSE y el motor aumentará la velocidad al máximo en este modo, mientras que el indicador luminoso se iluminará en color blanco. Al soltar el botón PULSE, la batidora de vaso volverá al modo de espera.
- **Ajustes de velocidad:** Esta batidora de vaso ofrece 10 ajustes de velocidad continuamente variables. En el modo de espera, gire el selector de velocidades a la derecha desde la posición OFF y la batidora de vaso y funcionará a la velocidad correspondiente. Si se continúa girando a la derecha el selector de velocidades, la velocidad irá aumentando gradualmente, alcanzando finalmente la velocidad máxima. Durante el funcionamiento, el

indicador luminoso permanecerá iluminado en color blanco. La batidora de vaso se desconectará automáticamente transcurridos 10 minutos. Para reiniciar la batidora de vaso para la siguiente operación, vuelva a girar el selector de velocidades a la posición OFF.

- **Tecla de programa predefinido:** Para utilizar los programas predefinidos, la batidora de vaso debe estar en modo de espera, a continuación hay que girar el selector de velocidades desde la posición OFF hasta el programa predefinido que se desea para seleccionarlo y cuando haya hecho esto, pulse el botón de arranque/parada (ON/OFF). Para detener la batidora de vaso cuando se esté ejecutando alguno de los programas, pulse el botón de arranque/parada (ON/OFF) para detener el funcionamiento. Cuando finaliza el programa predefinido, la batidora de vaso pasa de nuevo al modo de espera.

Icono	Función	Ciclo de funcionamiento
	Sopa	Aumenta hasta la velocidad 7 en 7 segundos, luego hasta la velocidad H en 3 segundos y se mantiene en esta velocidad hasta el final. La duración total es de 8 minutos. Todos los arranques son arranques suaves.
	Verduras	Velocidad H 30 s., parada 2 s.; Velocidad 6 10 s., parada 2 s.; Velocidad H 60 s., parada 2 s.; Velocidad 6 10 s., finalización. El tiempo de funcionamiento total es de 1 m 56 s. Todos los arranques son arranques suaves.
	Smoothie	Arranque suave hasta alcanzar la velocidad H durante 8 s. y parada de 2 s. Repite el ciclo hasta que el tiempo total de funcionamiento es de 30 s. Todos los arranques son arranques suaves.

TAPA, VASO DE MEDICIÓN

- Introduzca el vaso de medición en la tapa alineando las dos pestañas de las ranuras de la tapa y girándola para bloquearla. A continuación, coloque la tapa en el vaso de la batidora para cerrarla. Para abrir la tapa, tire de ella hacia arriba.

LIMPIEZA Y MANTENIMIENTO

- Desenchufe el aparato de la toma de corriente.
- No sumerja la unidad base ni el cable de alimentación en agua ni en otros líquidos.
- Limpie la superficie del vaso de la batidora con un trapo suave o una esponja. El vaso de medición se puede desmontar para su limpieza.

- El vaso de la batidora se puede enjuagar con agua. También se puede limpiar vertiendo 2 tazas de agua en el vaso de la batidora y, a continuación, cerrando la tapa y poniendo en marcha la batidora en modo de impulso. Después, vacíe el agua y seque con un trapo suave.
- Después de la limpieza, coloque el vaso de la batidora de lado o boca abajo (Nota 1) para que se seque. No sumerja el vaso completo en agua.
- Limpie la unidad base con un trapo suave. NUNCA la sumerja en agua ni en otros líquidos.

Nota: El empujador y el vaso de la batidora no deben lavarse en lavavajillas.

Nota: si coloca el vaso de la batidora boca abajo, limpie cualquier resto de agua con un trapo seco. No lo deje cerca del fregadero para evitar que salpique agua en la parte inferior del vaso. Esto podría provocar la oxidación del rodamiento, lo que afectaría al rendimiento de la batidora.

NOTAS SOBRE EL FUNCIONAMIENTO

- La batidora no puede funcionar si:
 - El vaso no está correctamente instalado en la base.
 - El selector de velocidad variable se gira antes de instalar correctamente el vaso en la base.
 - El vaso se retira y vuelve a colocar durante el funcionamiento.
- Para ello, debe girar el selector de velocidades de vuelta a la posición OFF de parada y asegurarse de que el vaso se ha instalado correctamente en la base. Esta acción restablecerá la batidora.
- Si se fuerza el motor a funcionar a baja velocidad porque el tamaño de los alimentos es demasiado grande o no hay suficiente líquido en el vaso, y se deja funcionando durante un largo periodo de tiempo, el sistema de control de temperatura se activará y detendrá el funcionamiento del motor. El LED rojo parpadeará a una velocidad de 2 Hz. En este caso, desenchufe la batidora y colóquela en un lugar bien ventilado para enfriar el motor durante 45 minutos. El sistema se restablecerá y la batidora podrá utilizarse de nuevo.
- Durante el funcionamiento, cierre bien la tapa para evitar quemaduras provocadas por salpicaduras de líquidos calientes.
- Mantenga las manos y los utensilios alejados del vaso cuando está en marcha el motor para evitar lesiones graves y/o daños en el aparato.
- Al mezclar líquidos calientes como leche de soja o al hacer una sopa caliente, compruebe que la tapa está correctamente instalada en el vaso para evitar que se caiga. Se recomienda iniciar el funcionamiento a baja velocidad y, a continuación, aumentar gradualmente la velocidad o utilizar el modo de impulso.

- Al preparar salsas (por ejemplo, salsa de almendras, mermelada o crema de sésamo), rellenos o procesar frutos secos, agregue 2 o 3 tazas de ingredientes. La cantidad no debe ser demasiado grande ni demasiado pequeña. Mantenga el tiempo de mezclado por debajo de los 2 minutos para evitar olor a quemado provocado por sobrecalentamiento. Una cantidad excesiva de ingredientes puede provocar la sobrecarga y el sobrecalentamiento del motor. En este caso, espere hasta que la temperatura del motor descienda antes de volver a usar el aparato.
- Agregue los líquidos y los alimentos blandos antes de los alimentos duros o cubitos de hielo.
- Cuando termine la operación, espere hasta que el bloque de cuchillas se detenga por completo antes de retirar el vaso de la batidora. De lo contrario, el engranaje podría sufrir daños.
- Si detecta olor a quemado procedente de la batidora, detenga su funcionamiento inmediatamente. Es posible que esté provocado por la abrasión de la base de caucho si el vaso no se ha instalado correctamente.
- Al mezclar alimentos gruesos y pegajosos a alta velocidad, inicie la operación a baja velocidad. Si las cuchillas no giran, desconecte el aparato del suministro eléctrico y remueva el contenido del vaso de la batidora con un agitador de goma para expulsar cualquier burbuja de aire atrapada en los alimentos. A continuación, cierre la tapa, conecte el aparato y reanude el funcionamiento.
- No utilice el aparato más de 10 minutos seguidos.

SOPA DE VERDURAS

3 raciones

- ½ aguacate
- 1 zanahoria
- 1 rama de apio
- ½ tomate
- ½ pimienta
- ¼ cebolla
- ½ diente de ajo
- 350 ml de agua con caldo de carne
- 100 ml de nata entera
- Sal y pimienta

Hierva el agua en un hervidor o en una cacerola. Disuelva la pastilla de caldo de carne en agua caliente. A continuación, vierta el agua en el vaso de la batidora. Agregue todas las verduras y la crema, y mezcle los ingredientes a velocidad media durante 2-3 minutos.

ES



GARANTÍA

Wilfa ofrece una garantía de 5 años para este producto desde el día de la compra. La garantía cubre los fallos o los defectos de fabricación que surjan durante el periodo de garantía. Su recibo de compra sirve de prueba para el minorista en caso de reclamación de la garantía.

La garantía solo es válida para productos comprados y utilizados en el hogar. La garantía perderá su validez si el producto se utiliza comercialmente. La garantía perderá su validez si se hace un mal uso del producto, se utiliza de forma negligente, no se siguen las instrucciones de Wilfa, se modifica o se realizan reparaciones no autorizadas. La garantía tampoco cubre el desgaste normal del producto, si se hace un mal uso del producto, la falta de mantenimiento, o el uso de una tensión eléctrica incorrecta o en caso de:

- No descalcificado según el manual de instrucciones
- Sobrecarga del producto
- Daños en el cristal
- Revestimiento
- Piezas que se desgastan normalmente
- Piezas que se deben sustituir con regularidad (por ejemplo, filtro, batería, etc.)

ESPECIFICACIONES DEL PRODUCTO

220 V~240 V~50 Hz, 1200 W

ASISTENCIA Y REPUESTOS

Si necesita asistencia, visite **wilfa.com** y consulte nuestra página de asistencia/atención al cliente. Aquí encontrará preguntas frecuentes, repuestos, consejos y trucos, así como nuestra información de contacto.

RECICLADO



Esta marca indica que el producto no debe eliminarse junto con otros residuos domésticos en toda la UE. Para evitar posibles daños en el medio ambiente o la salud por la eliminación incontrolada de residuos, recicle de forma responsable para fomentar la reutilización sostenible de los recursos materiales. Para devolver el producto usado, utilice los sistemas de devolución y recogida o póngase en contacto con el distribuidor donde lo adquirió. Ellos podrán llevar este producto a un punto de reciclaje seguro para el medio ambiente de forma gratuita.

ES

СОДЕРЖАНИЕ

- 158 ВАЖНЫЕ ИНСТРУКЦИИ ПО ТЕХНИКЕ БЕЗОПАСНОСТИ
- 162 ОБЩАЯ ИНФОРМАЦИЯ ОБ УСТРОЙСТВЕ
- 163 ИСПОЛЬЗОВАНИЕ ТЕМПЕРА РВ2В-Р1200
- 164 ПАНЕЛЬ УПРАВЛЕНИЯ
- 164 ПОРЯДОК ИСПОЛЬЗОВАНИЯ
- 165 ОЧИСТКА И ХРАНЕНИЕ
- 166 ПРИМЕЧАНИЯ ПО ЭКСПЛУАТАЦИИ
- 167 ОВОЩНОЙ СУП
- 168 ГАРАНТИЯ
- 169 ТЕХНИЧЕСКИЕ ХАРАКТЕРИСТИКИ ИЗДЕЛИЯ
- 169 ПОДДЕРЖКА И ЗАПАСНЫЕ ЧАСТИ
- 169 ПРИГОДНОСТЬ К ПЕРЕРАБОТКЕ

ВАЖНЫЕ ИНСТРУКЦИИ ПО ТЕХНИКЕ БЕЗОПАСНОСТИ

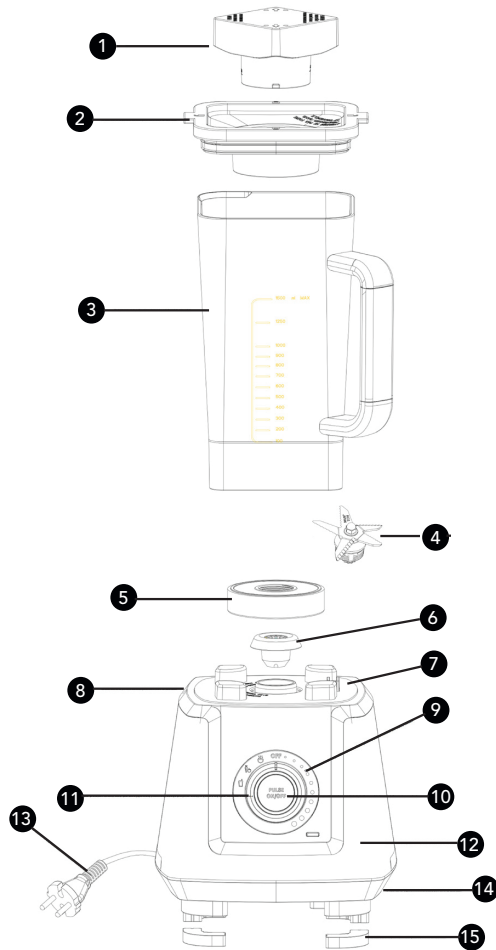
- Внимательно прочитайте данное руководство перед началом работы и сохраните его для дальнейшего использования.
- Перед включением прибора в сеть проверьте, соответствуют ли электрические характеристики, указанные на паспортной табличке, параметрам домашней электросети.
- Во избежание короткого замыкания или поражения электрическим током никогда не погружайте базовый блок в воду или другую жидкость и не мойте его под струей воды. При наличии воды внутри базового блока обратитесь к уполномоченному сервисному агенту.
- Никогда не опускайте шнур питания или вилку в воду для очистки. Не протирайте контакты вилки мокрой тряпкой и не вставляйте вилку мокрыми руками.
- Плотнo и надёжно вставьте вилку прибора в розетку. Неплотно вставленная вилка может привести к перегреву соединения или поражению электрическим током.

- Во избежание опасности при повреждении сетевого шнура, он должен быть заменен производителем или его сервисными агентами или электриками с аналогичной квалификацией.
- Никогда не оставляйте устройство без присмотра.
- Во избежание серьезных травм и/или повреждений не допускайте попадания рук и различных предметов в контейнер во время работы мотора.
- Не запускайте блендер с незаполненным кувшином.
- Во избежание разбрызгивания не заливайте жидкость в кувшин блендера выше отметки MAX.
- Не подвергайте устройство воздействию источников тепла, таких как радиатор отопления или прямые солнечные лучи, проходящие через окно.
- Для обеспечения хорошей вентиляции не ставьте прибор на ткань.
- Только для использования в помещениях. Не используйте вне помещений или в коммерческих целях.

- Всегда работайте с установленной крышкой. При работе с горячими напитками надежно закрепите крышку и мерную чашку, чтобы избежать получения ожогов в результате разбрызгивания горячих жидкостей.
- Устройства могут использоваться лицами с ограниченными физическими, сенсорными или интеллектуальными способностями, а также не имеющими достаточного опыта и знаний, при условии, что они находятся под присмотром или были проинструктированы о безопасном использовании устройства и понимают связанные с этим опасности.
- Не разрешайте детям играть с устройством.
- Использование данного устройства детьми запрещено. Храните устройство и шнур питания в недоступном для детей месте.
- Выключайте устройство и отключайте его от сети электропитания перед заменой принадлежностей, а также в случае работы вблизи деталей, приводимых в движение во время работы.
- Извлеките вилку шнура питания из сетевой розетки, если устройство не используется, а также перед сборкой, очисткой и заменой деталей.

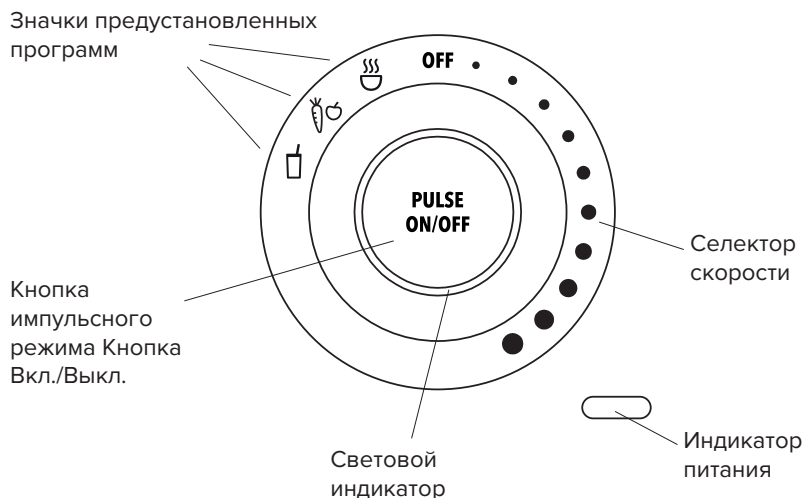
- Если мотор перегрелся, сработает система контроля температуры, и работа мотора будет прекращена. Выключите устройство, извлеките вилку шнура питания из сетевой розетки и дождитесь остывания мотора. Сброс системы контроля температуры мотора произойдет через 45 минут после отключения блендера от сетевой розетки. По истечении этого времени блендер будет снова готов для использования.
- Соблюдайте осторожность при обращении с ножом, так как нож блендера очень острый. Не пытайтесь разбирать узел ножа и не дотрагивайтесь до вращающихся деталей.
- Любые работы по обслуживанию должны выполняться уполномоченным представителем сервисной службы. Не пытайтесь разбирать, ремонтировать или модифицировать устройство.
- Всегда отключайте устройство от сети, когда оно остается без присмотра, а также перед сборкой, разборкой или очисткой.

ОБЩАЯ ИНФОРМАЦИЯ ОБ УСТРОЙСТВЕ



- | | | | |
|----|--------------------------------|-----|---|
| 1. | Мерная чашка | 10. | Кнопка импульсного режима/запуска/остановки |
| 2. | Крышка | 11. | Селектор скорости |
| 3. | Кувшин блендера | 12. | Узел мотора |
| 4. | Узел ножа | 13. | Сетевой шнур |
| 5. | Крепление ножа | 14. | Нижняя крышка |
| 6. | Привод | 15. | Противоскользящие резиновые ножки |
| 7. | Основание для кувшина блендера | | |
| 8. | Верхняя крышка | | |
| 9. | Указатель режимов работы | | |

ПАНЕЛЬ УПРАВЛЕНИЯ






ПОРЯДОК ИСПОЛЬЗОВАНИЯ

Проверьте, соответствуют ли электрические характеристики, указанные в паспорте, параметрам вашей домашней электросети.

- **Режим ожидания и режим энергосбережения:** Подключите блендер и установите кувшин блендера на базовый блок. Индикатор питания и световой индикатор загорятся красным цветом. Теперь блендер находится в режиме ожидания. Если блендер не используется в течение 3 минут, он переходит в режим энергосбережения; индикатор питания будет гореть красным светом, а световой индикатор погаснет. (Из режима энергосбережения устройство переходит в режим ожидания при нажатии любой кнопки)
- **Кнопка ON/OFF (ВКЛ./ВЫКЛ.):** Эта кнопка используется для включения/выключения предустановленных программ. Выбранная функция предустановленной программы активируется только при нажатии кнопки ON/OFF (ВКЛ./ВЫКЛ.). Повторное нажатие кнопки ВКЛ./ВЫКЛ. приведет к остановке устройства.
- **Кнопка импульсного режима (PULSE):** Это кнопка ручной активации импульсного режима. В режиме ожидания, когда селектор скорости находится в положении OFF (ВЫКЛ.), удерживайте кнопку PULSE в нажатом положении, и мотор увеличит скорость до максимального значения в импульсном режиме, а световой индикатор загорится белым светом. Когда вы отпустите кнопку PULSE, блендер вернется в режим ожидания.
- **Настройки скорости:** Данный блендер имеет 10 плавно изменяемых настроек скорости. В режиме ожидания поверните селектор скорости по часовой стрелке из положения OFF (ВЫКЛ.), и блендер начнет работать с

выбранной скоростью. По мере поворота селектора скорости по часовой стрелке произойдет постепенное увеличение скорости с последующим достижением максимального значения. Во время работы световой индикатор рабочего режима будет гореть белым цветом. Блендер автоматически выключится через 10 минут. Чтобы приготовить блендер для выполнения следующей операции, поверните селектор скорости обратно в положение OFF (ВЫКЛ.).

- **Кнопка выбора предустановленной программы:** Чтобы использовать предустановленные программы, необходимо сначала перевести блендер в режим ожидания, затем выбрать необходимую программу, повернув селектор скорости из положения OFF (ВЫКЛ.) в соответствующее положение, и по окончании нажать кнопку ON/OFF (ВКЛ./ВЫКЛ.). Чтобы остановить блендер во время работы одной из программ, нажмите кнопку ON/OFF (ВКЛ./ВЫКЛ.), чтобы остановить блендер. После выполнения предустановленной программы блендер переходит в режим ожидания.

Пиктограмма	Функция	Рабочий цикл
	Суп	В течение 7 секунд увеличивается до скорости 7, затем в течение 3 секунд увеличивается до скорости H и остается на этой скорости до завершения процесса. Общая продолжительность программы - 8 минут. Каждый запуск выполняется плавно.
	Овощи	Скорость H - 30 сек, пауза 2 сек; скорость 6 - 10 сек, пауза 2 сек; скорость H - 60 сек, пауза 2 сек; скорость 6 - 10 сек, завершение. Общая продолжительность программы – 1 мин 56 сек. Каждый запуск выполняется плавно.
	Смузи	Плавный пуск до скорости H в течение 8 сек и пауза в течение 2 сек. Повторяет цикл до тех пор, пока общее время работы не составит 30 сек. Каждый запуск выполняется плавно.

КРЫШКА, МЕРНАЯ ЧАШКА

- Вставьте мерную чашку в крышку, совместив два выступа в пазах крышки и повернув, чтобы ее зафиксировать. Затем поместите крышку на кувшин блендера, чтобы закрыть его. Чтобы открыть крышку, потяните ее вверх.

ОЧИСТКА И ХРАНЕНИЕ

- Отключите устройство от электросети.
- Не опускайте базовый блок или шнур питания в воду или другие жидкости.

- Очистите поверхность кувшина блендера мягкой тканью или губкой. Мерную чашку можно разобрать для очистки.
- Кувшин блендера можно промыть водой. Его также можно очистить, налив в кувшин блендера 2 стакана воды, закрыв крышку и включив блендер в импульсном режиме. После этого вылейте воду и протрите кувшин насухо, используя для этого мягкую ткань.
- После очистки поверните кувшин блендера на бок или переверните его вверх дном (примечание 1) для высыхания. Не погружайте кувшин полностью в воду.
- Протрите базовый блок мягкой тканью. НИКОГДА не погружайте его в воду или другую жидкость.

Примечание: Запрещается мыть темпер и кувшин блендера в посудомоечной машине. **Примечание:** Если вы разместили кувшин блендера в перевернутом положении, удалите остатки воды с помощью сухой ткани. Не оставляйте его рядом с мойкой или раковиной во избежание попадания воды на нижнюю часть кувшина. Это может привести к появлению ржавчины на подшипнике, что отрицательно скажется на эксплуатационных характеристиках блендера.

ПРИМЕЧАНИЯ ПО ЭКСПЛУАТАЦИИ

- Блендер не следует включать, если:
 - Кувшин неустойчиво стоит на основании.
 - Выбор необходимой скорости с помощью селектора скорости был произведен перед тем, как кувшин был надежно установлен на основании.
 - Во время работы кувшин был удален, а затем заново установлен на место.
- Вам потребуется повернуть селектор скорости обратно в положение OFF (ВЫКЛ.) и удостовериться, что кувшин надежно установлен на основании. Это приведет к сбросу программы блендера.
- Если мотор замедляется из-за слишком большого размера ингредиентов или недостаточного количества жидкости в кувшине, а также если он работает в течение длительного периода времени, произойдет срабатывание системы контроля температуры и последующее отключение мотора. Красный светодиодный индикатор начнет мигать с частотой 2 Гц. В этом случае отключите блендер от сети и оставьте его на 45 минут в хорошо вентилируемом месте, чтобы уменьшить температуру мотора. Система перезагрузится, и блендер можно будет использовать снова.
- Во время работы плотно закрывайте крышку, чтобы предотвратить получение ожогов в результате разбрызгивания горячей жидкости.
- Во избежание серьезных травм и/или повреждений не допускайте попадания рук и различных предметов в контейнер во время работы мотора.
- При приготовлении таких горячих блюд, как суп, убедитесь, что крышка надежно закреплена на кувшине и не может упасть. Рекомендуется

начинать работу на низкой скорости, а затем постепенно увеличивать скорость, или использовать импульсный режим.

- При приготовлении соусов (например, миндального соуса, джема и кунжутного соуса), начинок или обработке орехов кладите от 2 до 3 чашек ингредиентов. Объем ингредиентов не должен быть слишком большим или слишком маленьким. Во избежание появления неприятного запаха, вызванного перегревом мотора, продолжительность смешивания не должна превышать 2 минут. Слишком большое количество ингредиентов может привести к перегрузке и перегреву мотора. В этом случае дождитесь остывания мотора, прежде чем снова продолжите работу.
- Прежде чем поместить в блендер твердые продукты или кубики льда, добавляйте в него жидкости и мягкие ингредиенты.
- По окончании работы, перед снятием кувшина блендера, дождитесь полной остановки узла ножа. В противном случае может быть повреждена шестерня привода.
- При появлении запаха гари из блендера немедленно прекратите работу. Это может быть вызвано истиранием резиновой основы амортизатора, если он установлен не правильно.
- При смешивании густых и липких продуктов на высокой скорости начните работу на низкой скорости. Если вращение по-прежнему отсутствует, отключите питание и перемешайте содержимое кувшина блендера с помощью резиновой мешалки, чтобы удалить оставшийся воздух. Затем закройте крышку и включите блендер, чтобы возобновить работу.
- Непрерывная работа не должна превышать 10 минут.

ОВОЩНОЙ СУП

3 порции

- 1/2 авокадо
- 1 морковь
- 1 стебель сельдерея
- 1/2 томата
- 1/2 перца
- 1/4 лука
- 1/2 зубчика чеснока
- 350 мл воды с мясным бульоном
- 100 мл сливок
- Соль и перец

Вскипятите воду в чайнике или в кастрюле. Растворите бульонный кубик в горячей воде. Теперь налейте воду в кувшин блендера. Добавьте все овощи и сливки и перемешайте на средней скорости в течение 2-3 минут.



ГАРАНТИЯ

Компания Wilfa предоставляет 5-летнюю гарантию на данное изделие со дня покупки. Гарантия распространяется на эксплуатационные недостатки или дефекты, возникающие в течение гарантийного периода. Квитанция о покупке является доказательством при предъявлении гарантийных претензий продавцу.

Гарантия действует только в отношении изделий, купленных и используемых в частных хозяйствах. Коммерческое использование изделия аннулирует гарантию. Гарантия недействительна в случае неправильного или небрежного использования изделия, несоблюдения инструкций компании Wilfa, внесения изменений в конструкцию или выполнения несогласованного ремонта. Гарантия также не распространяется на нормальный износ изделия, неправильное использование, недостаточное обслуживание, использование при неподходящем электрическом напряжении, а также на:

- случаи удаления накипи не в соответствии с руководством по эксплуатации
- перегрузку изделия
- повреждение стекла
- покрытие
- изнашиваемые детали
- на требующие регулярной замены детали (напр., фильтр, элементы питания и т. п.)

ТЕХНИЧЕСКИЕ ХАРАКТЕРИСТИКИ ИЗДЕЛИЯ

220 -240 В~50 Гц, 1200 Вт

ПОДДЕРЖКА И ЗАПАСНЫЕ ЧАСТИ

Для получения поддержки посетите наш веб-сайт **wilfa.com** и перейдите на страницу службы поддержки клиентов. Здесь приведены ответы на часто задаваемые вопросы, список запасных частей, советы и рекомендации, а также наша контактная информация.

ПРИГОДНОСТЬ К ПЕРЕРАБОТКЕ



Данная маркировка указывает на то, что в пределах ЕС изделие запрещается утилизировать вместе с другими бытовыми отходами. Во избежание возможного вреда окружающей среде и здоровью человека в результате неконтролируемой утилизации отходов ответственно подходите к переработке изделия, способствуя устойчивому повторному использованию материальных ресурсов. Для возврата использованного устройства воспользуйтесь сети пунктов раздельного сбора отходов или свяжитесь с конкретным продавцом изделия. Продавцы могут бесплатно утилизировать данное изделие без ущерба для окружающей среды.



BEYOND EXPECTATIONS

